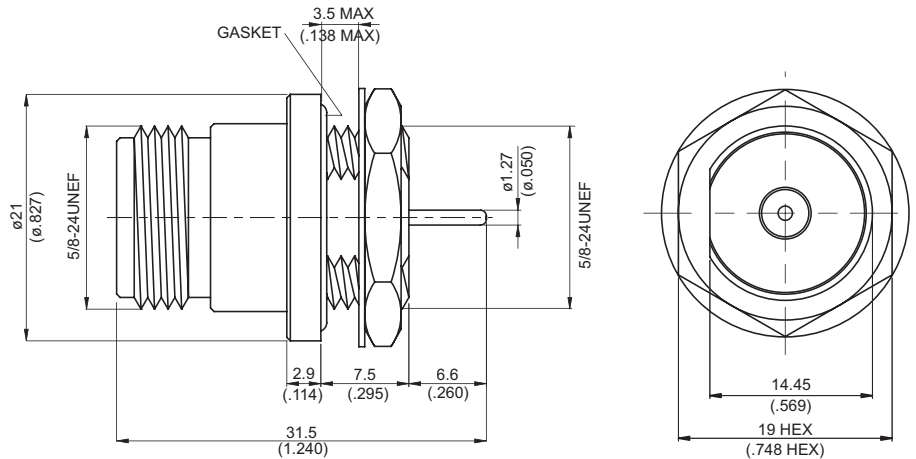
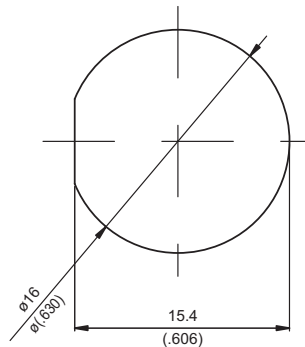


N865L1-0000

N Jack For Panel Receptacle 50Ω



MOUNTING HOLE :



Parts	Material	Plating (Micro-inch)
Gasket	Silicon	
Part	Brass	Tin-Zinc-Copper-Alloy 100 Over Copper 50
Contact Pin	Phosphor Bronze	Gold 5 Over Nickel 50 Over Copper 50
Insulator	Teflon	
Body	Brass	Tin-Zinc-Copper-Alloy 100 Over Copper 50
Hex Nut	Brass	Tin-Zinc-Copper-Alloy 100 Over Copper 50
Lock Washer	Brass	Tin-Zinc-Copper-Alloy 100 Over Copper 50

Weight: 37.56 g

This part number complies with RoHS.

Notice: JYEBAO reserves the right to make modifications deemed appropriate.