

## 8T380 Bus Receiver

Quad Bus Receiver with Hysteresis-Schmitt Trigger  
Product Specification

### Logic Products

#### DESCRIPTION

The 8T380 is a quad 2-input bus receiver with hysteresis for use in I/O, data, and memory busses. Built-in hysteresis provides maximum noise immunity and a power-up or power-down sequence on the receiver will not affect the bus. LOW input current allows several drivers and receivers to communicate over a common bus in "Party line" fashion. The 8T380 is ideal as a Schmitt Trigger in analog interfaces that cannot tolerate the non-linear input impedance characteristics of standard TTL. Further, the LOW input requirements allow the 8T380 to be used as a CMOS to TTL interface. All inputs have clamping diodes to simplify systems design.

#### FUNCTION TABLE

INPUTS		OUTPUT
A	B	Out
L	L	H
L	H	L
H	L	L
H	H	L

H = HIGH voltage level  
L = LOW voltage level

TYPE	TYPICAL PROPAGATION DELAY	TYPICAL SUPPLY CURRENT (TOTAL)
N8T380	20ns ( $t_{PLH}$ ) 16ns ( $t_{PHL}$ )	25mA

#### ORDERING CODE

PACKAGES	COMMERCIAL RANGE $V_{CC} = 5V \pm 5\%$ ; $T_A = 0^\circ C$ to $+70^\circ C$
Plastic DIP	N8T380N
Plastic SO	N8T380D

#### NOTE:

For information regarding devices processed to Military Specifications, see the Signetics Military Products Data Manual.

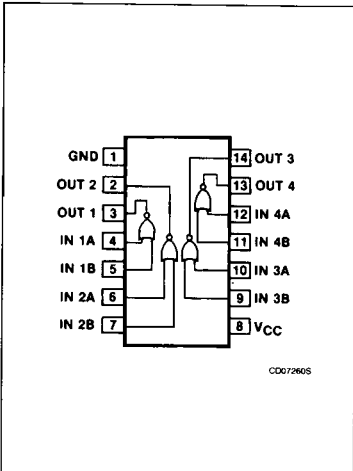
#### INPUT AND OUTPUT LOADING AND FAN-OUT TABLE

PINS	DESCRIPTION	8T
All	Input	1.2uI
All	Output	10uI

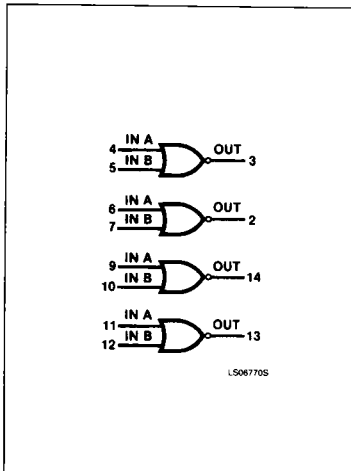
#### NOTE:

A unit load (uI) is  $40\mu A$   $I_{IH}$  and  $-1.6mA$   $I_{IL}$ .

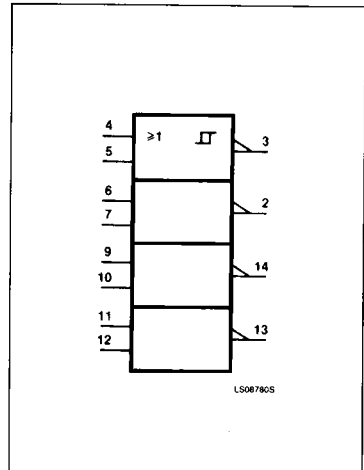
#### PIN CONFIGURATION



#### LOGIC SYMBOL



#### LOGIC SYMBOL (IEEE/IEC)



## Bus Receiver

8T380

**ABSOLUTE MAXIMUM RATINGS** (Over operating free-air temperature range unless otherwise noted.)

PARAMETER		8T	UNIT
V <sub>CC</sub>	Supply voltage	7.0	V
V <sub>IN</sub>	Input voltage	-0.5 to +5.5	V
I <sub>OL</sub>	Continuous	30	mA
V <sub>OUT</sub>	Voltage applied to output in HIGH output state	-0.5 to +V <sub>CC</sub>	V
T <sub>A</sub>	Operating free-air temperature range	0 to 70	°C

**RECOMMENDED OPERATING CONDITIONS**

PARAMETER	8T			UNIT	
	Min	Nom	Max		
V <sub>CC</sub>	Supply voltage	4.75	5.0	5.25	V
V <sub>IH</sub>	HIGH-level input voltage	2.0		2.5	V
V <sub>IL</sub>	LOW-level input voltage	1.1		1.5	V
I <sub>IK</sub>	Input clamp current			-12	mA
I <sub>OH</sub>	HIGH-level output current			-400	μA
I <sub>OL</sub>	LOW-level output current			16	mA
T <sub>A</sub>	Operating free-air temperature	0		70	°C

**DC ELECTRICAL CHARACTERISTICS** (Over recommended operating free-air temperature range unless otherwise noted.)

PARAMETER	TEST CONDITIONS <sup>1</sup>	8T380		UNIT		
		Min	Max			
V <sub>IH</sub>	Input HIGH voltage	Guaranteed input HIGH threshold voltage		2.0	2.5	V
V <sub>IL</sub>	Input LOW voltage	Guaranteed input LOW threshold voltage		1.1	1.5	V
V <sub>IK</sub>	Input clamp diode voltage	V <sub>CC</sub> = MIN, I <sub>IK</sub> = -12mA			-1.5	V
V <sub>OH</sub>	HIGH-level output voltage	V <sub>CC</sub> = MIN, I <sub>OH</sub> = -400μA		2.4		V
V <sub>OL</sub>	LOW-level output voltage	V <sub>CC</sub> = MIN, I <sub>OL</sub> = 16mA			0.4	V
I <sub>IH</sub>	HIGH-level input current	V <sub>CC</sub> = MAX, V <sub>I</sub> = 4.5V			50	μA
		V <sub>CC</sub> = 0V, V <sub>I</sub> = 4.5V			50	μA
I <sub>IL</sub>	LOW-level input current	V <sub>CC</sub> = MAX, V <sub>I</sub> = 0V			-25	μA
I <sub>OS</sub>	Short-circuit output current <sup>2</sup>	V <sub>CC</sub> = MAX		-18	-55	mA
I <sub>CC</sub>	Supply current (total)	V <sub>CC</sub> = 5.25V			40	mA

**NOTES:**

- For conditions shown as MIN or MAX, use the appropriate value specified under recommended operating conditions for the applicable type.
- I<sub>OS</sub> is tested with V<sub>OUT</sub> = +0.5V and V<sub>CC</sub> = V<sub>CC</sub> MAX + 0.5V. Not more than one output should be shorted at a time and duration of the short circuit should not exceed one second.

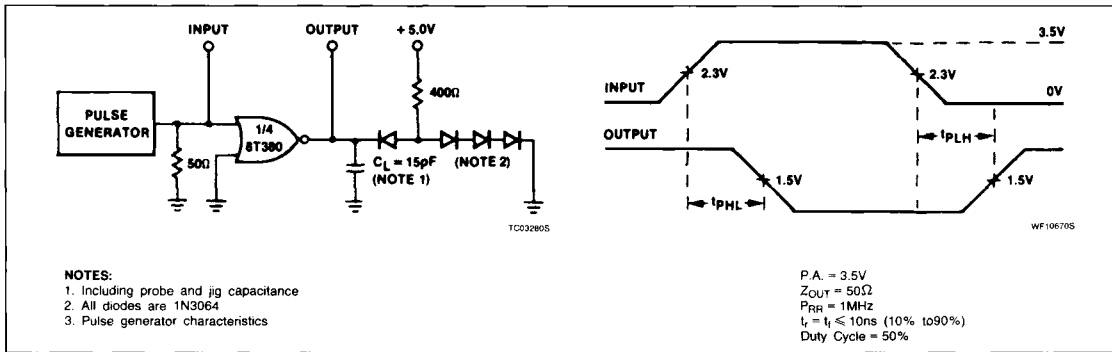
**AC ELECTRICAL CHARACTERISTICS** T<sub>A</sub> = 25°C, V<sub>CC</sub> = 5.0V

PARAMETER	TEST CONDITIONS	8T		UNIT	
		C <sub>L</sub> = 15pF, R <sub>L</sub> = 400Ω			
		Min	Max		
t <sub>PLH</sub>	Propagation delay	See Test Circuits and Waveforms		35	ns
t <sub>PHL</sub>	Input to output			35	

## Bus Receiver

8T380

## TEST CIRCUITS AND WAVEFORMS



# Bus Receiver

8T380

## TYPICAL APPLICATIONS

A generalized "Party Line" bus interface is shown in Figure 1. Each driver/receiver combination can communicate with any other pair of all. Open collector NAND Gates such as the Signetics 7439 have adequate driver capability for the bus terminations as well as 20 driver/receiver pairs. In addition the busing scheme is non-inverting as shown and bus drivers are activated by a logic "1" whereas bus receivers are activated by a logic "0."

Each termination consisting of a 180Ω resistor to V<sub>CC</sub> and 390Ω to ground is a 120Ω Thevenin's equivalent circuit. The maximum length of cable that can be driven is a complex relationship involving the type of cable used as well as the distribution of drivers and receivers on the bus. Using flat ribbon cable, a maximum reasonable length is 50 ft. minus the combined length of all taps or stubs.

## SCHMITT TRIGGER

The receiver transfer curve shown in Figure 2a makes the 8T380 ideal in a variety of Schmitt Trigger and waveshaping applications such as Figure 2b.

## MOS/CMOS INTERFACE

The input current which is only 50μA MAX in the logical "1" state and no current in the logical "0" state marks the 8T380 an ideal MOS/CMOS interface element.

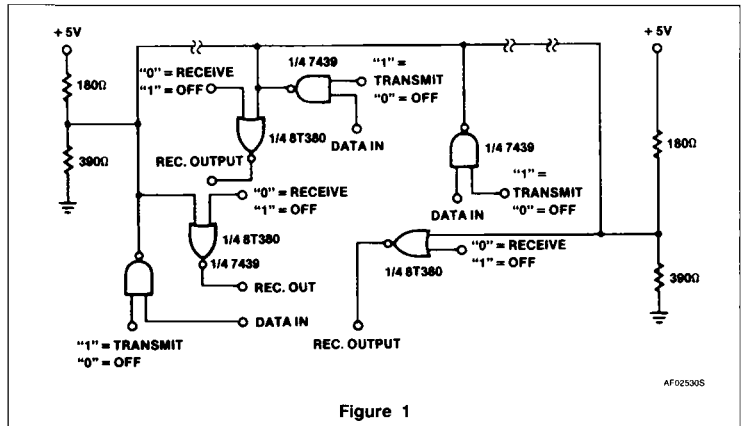


Figure 1

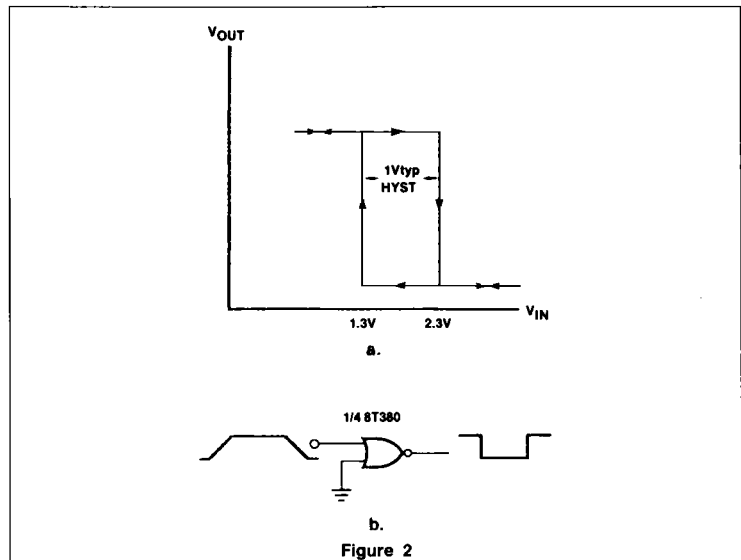


Figure 2

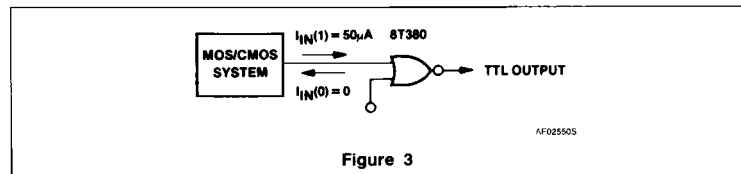


Figure 3

6