

REV. Status

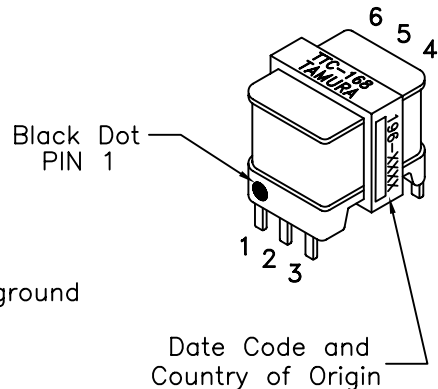
REVISION -
05/29/85 MS

REVISION A
REVISED AND
REDRAWN ON
CAD/CAM
03/31/92 TS

REVISION B
TEMECULA
WAS CARSON
05/12/98 TS

TELECOMMUNICATION DRY COUPLING TRANSFORMER DESIGNED TO OPERATE AT A MAX LEVEL OF +7dBm AND TO REFLECT A PRIMARY SOURCE IMPEDANCE OF APPROXIMATELY 600Ω WITH 600Ω/600Ω LOAD ON SECONDARY

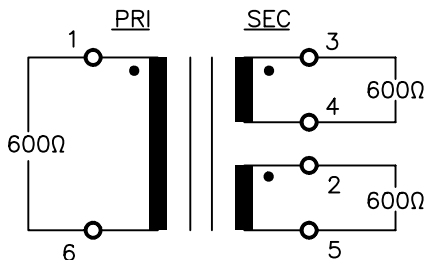
- A. Electrical Specifications (@ 25°C)
- Pri Source Impedance; 600Ω
 - Sec Load Impedance; 600Ω/600Ω
 - Operating Level; -45dBm to +7dBm
 - Insertion Loss; 1.0dB MAX @ 1KHz, 0dBm
 - Frequency Response; ±0.2dB 300Hz to 3.5KHz @ 0dBm
 - Longitudinal Balance; 60dB MIN @ 1KHz per FCC Part 68 underground
 - DC Resistance;
 - (1-6) = 34Ω ±20%
 - (3-4) = 25Ω ±20%
 - (2-5) = 25Ω ±20%
 - Turns Ratio; (1-6) : (3-4) = 1 : 0.740 ±2%
(1-6) : (2-5) = 1 : 0.740 ±2%
 - Dielectric Strength; 1250 Vrms 1 minute @ Pri to Sec, and Core
1000 Vrms 1 minute @ Sec to Core
 - Note: All testing will be calibrated based on 600Ω vs 1200Ω CT impedance matching and connection



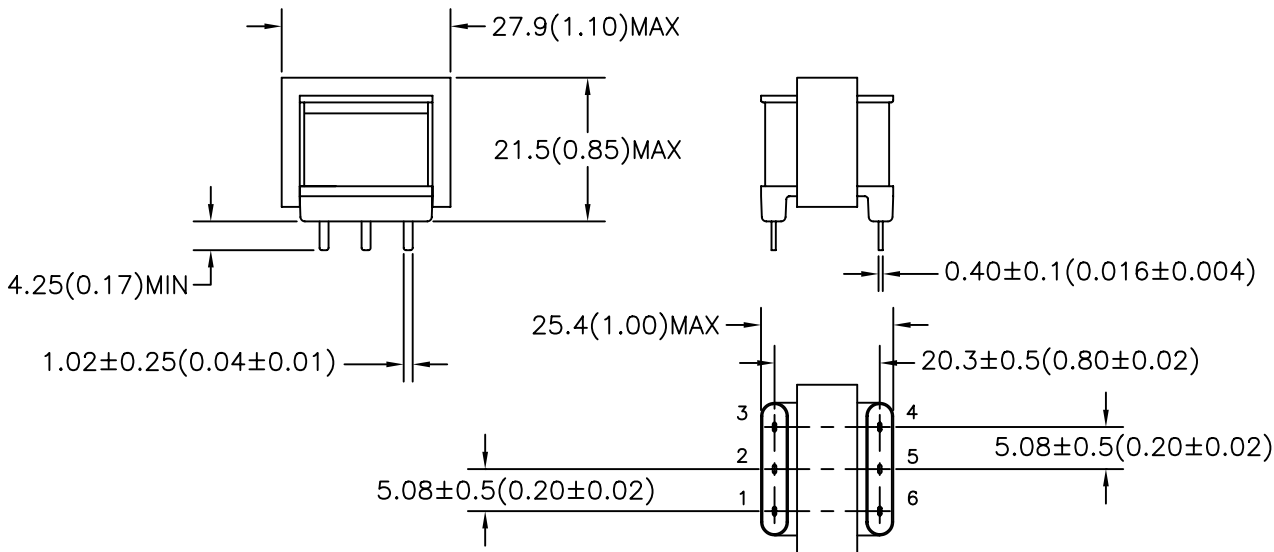
MODEL NUMBER
TTC-168

B. Marking; TTC-168, TAMURA, 196-date code and country of origin

C. Schematic Diagram



D. Mechanical Specifications



TOLERANCES (mm)
≤ 4 ± 0.2
4 ≤ 20 ± 0.3
20 ≤ 50 ± 0.4

PREPARED BY:

D. Rund

ENGINEER:

T. Shiozawa

QUALITY CONTROL:

D. Kelley

APPROVED:

D. Kelley

DWG CONTROL NO.
P-A1-10137
ACAD\TTC\A1101371.DWG

REV
B

TELECOMMUNICATION COUPLING
TRANSFORMER

TAMURA CORPORATION OF AMERICA
43352 BUSINESS PARK DRIVE, TEMECULA, CA. 92590-6624
(909) 699-1270 FAX 9096769482

TTC-168

MODEL SPECIFICATION

DIM: mm(In) SCL: 1/1 SH: 1 OF 1

PROPRIETARY NOTICE: THIS DRAWING PRINT OR DOCUMENT AND SUBJECT MATTER DISCLOSED HEREIN ARE PROPRIETARY ITEMS TO WHICH TAMURA RETAINS THE EXCLUSIVE RIGHT OF DISSEMINATION, REPRODUCTION, MANUFACTURE AND SALE. THIS DRAWING, PRINT OR DOCUMENT IS SUBMITTED IN CONFIDENCE FOR CONSIDERATION BY THE RECIPIENT ALONE UNLESS PERMISSION FOR FURTHER DISCLOSURE IS EXPRESSLY GRANTED IN WRITING.