

# FERRULE, PLATED ✓ ACTIVE

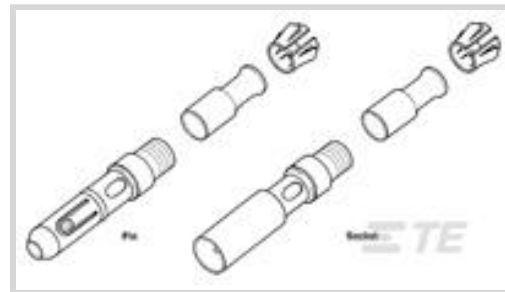
TE Part # 3-328666-9

TE Internal #: 3-328666-9

[View on TE.com >](#)



Connectors > RF & Coax Connectors > RF & Coax Accessories > Ferrules



Cable Type: 21-598, RG 174, RG 179A, RG 187, RG 188

Inside Diameter: 4.54 mm [ .179 in ]

Ferrule Material: Copper Alloy

Ferrule Plating Material: Tin-Lead

Wire Diameter Range: 3.4 mm [ .134 in ]

## Features

### Product Type Features

Connector Type	Coaxial Contacts
Cable Type	21-598, RG 174, RG 179A, RG 187, RG 188

### Body Features

Body Plating Material	Tin-Lead
Ferrule Material	Copper Alloy

### Contact Features

Ferrule Plating Material	Tin-Lead
--------------------------	----------

### Dimensions

Inside Diameter	4.54 mm[.179 in]
Wire Diameter Range	3.4 mm[.134 in]

### Packaging Features

Packaging Method	Carton
------------------	--------

## Product Compliance

[For compliance documentation, visit the product page on TE.com>](#)

EU RoHS Directive 2011/65/EU	Not Compliant
EU ELV Directive 2000/53/EC	Not Compliant
China RoHS 2 Directive MIIT Order No 32, 2016	Restricted Materials Above Threshold
EU REACH Regulation (EC) No. 1907/2006	Current ECHA Candidate List: JAN 2019 (197)



Candidate List Declared Against: JAN 2019  
(197)

Halogen Content	Low Halogen - Br, Cl, F, I < 900 ppm per homogenous material. Also BFR/CFR/PVC Free
Solder Process Capability	Not reviewed for solder process capability

Product Compliance Disclaimer


This information is provided based on reasonable inquiry of our suppliers and represents our current actual knowledge based on the information they provided. This information is subject to change. The part numbers that TE has identified as EU RoHS compliant have a maximum concentration of 0.1% by weight in homogenous materials for lead, hexavalent chromium, mercury, PBB, PBDE, DBP, BBP, DEHP, DIBP, and 0.01% for cadmium, or qualify for an exemption to these limits as defined in the Annexes of Directive 2011/65/EU (RoHS2). Finished electrical and electronic equipment products will be CE marked as required by Directive 2011/65/EU. Components may not be CE marked. Additionally, the part numbers that TE has identified as EU ELV compliant have a maximum concentration of 0.1% by weight in homogenous materials for lead, hexavalent chromium, and mercury, and 0.01% for cadmium, or qualify for an exemption to these limits as defined in the Annexes of Directive 2000/53/EC (ELV). Regarding the REACH Regulations, TE's information on SVHC in articles for this part number is still based on the European Chemical Agency (ECHA) 'Guidance on requirements for substances in articles' (Version: 2, April 2011), applying the 0.1% weight on weight concentration threshold at the finished product level. TE is aware of the European Court of Justice ruling of September 10th, 2015 also known as O5A (Once An Article Always An Article) stating that, in case of 'complex object', the threshold for a SVHC must be applied to both the product as a whole and simultaneously to each of the articles forming part of its composition. TE has evaluated this ruling based on the new ECHA "Guidance on requirements for substances in articles" (June 2017, version 4.0) and will be updating its statements accordingly.

### Compatible Parts



TE Part # 91912-3  
PREM SDE DIE,MINI  
COAXICON

### Customers Also Bought



TE Part #6766649-1  
CONN,PIN,MINI DRAWER



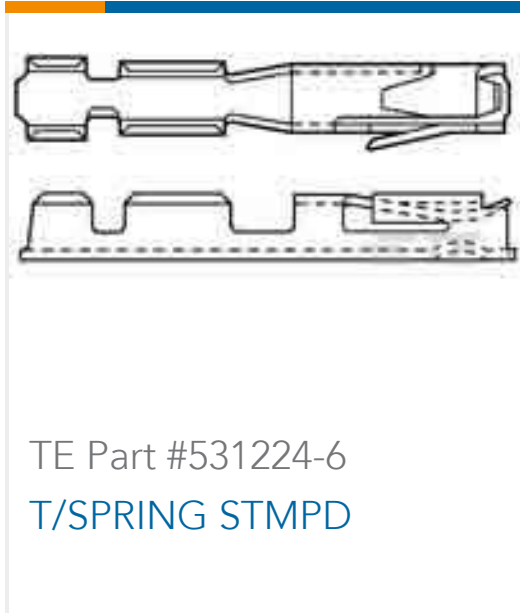
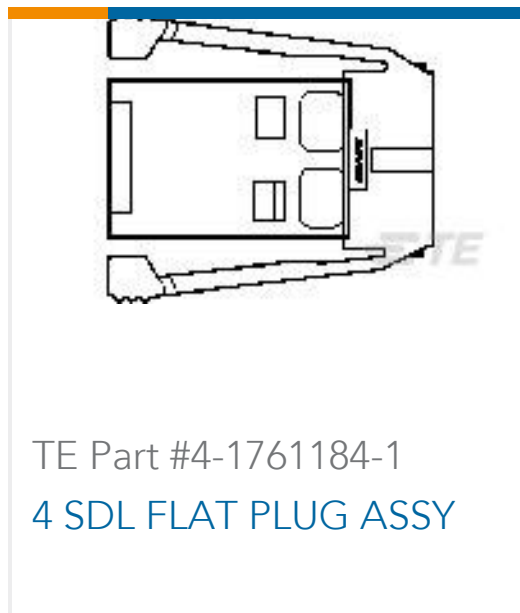
TE Part #6766650-1  
CONN,SKT,MINI DRAWER



TE Part #9-225381-0  
FERRULE, COAX



TE Part #9-225382-0  
FERRULE, PLTD



## Documents

### Product Drawings

FERRULE,PLATED

English

### CAD Files

3D PDF

3D

Customer View Model

[ENG\\_CVM\\_CVM\\_3-328666-9\\_BH.2d\\_dxf.zip](#)

English

Customer View Model

[ENG\\_CVM\\_CVM\\_3-328666-9\\_BH.3d\\_igs.zip](#)

English

Customer View Model

[ENG\\_CVM\\_CVM\\_3-328666-9\\_BH.3d\\_stp.zip](#)

English

### Agency Approvals

Agency Approval Document

English

Agency Approval Document

English