

RevNo	Revision note	Date	Signature	Checked
A	ORIGINAL	03-08-10		

NOTE:

- 1.Material:  
 1.1 Insulator: P.B.T +30%G.F. UL 94-V0 rated.  
 1.2 Contact: Brass, t=0.25mm.  
 1.3 Shell: Brass, t=0.30mm.  
 1.4 Spring: Stainless Steel, t=0.30mm.

2.Specification:

- 2.1 Rated voltage and current: 1.5A at 250V AC minimum.  
 2.2 Dielectric withstanding voltage: 500V AC/1 minute without breakdown.  
 2.3 Contact resistance: Before life test 30m ohm max,  
 After life test 50m ohm max.  
 2.4 Insulation resistance: 1000M ohm min.  
 2.5 Insertion force: 35 Newtons maximum.  
 2.6 Extraction force: 10 Newtons minimum.  
 2.7 Solderability: Terminal shall be immersed in flux before text,  
 Then dip in molten solder for 5±0.5 sec. At 245±5°C.


PART NO.

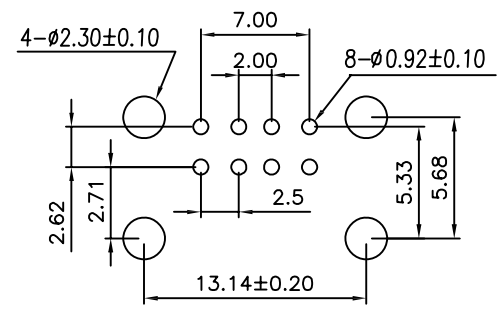
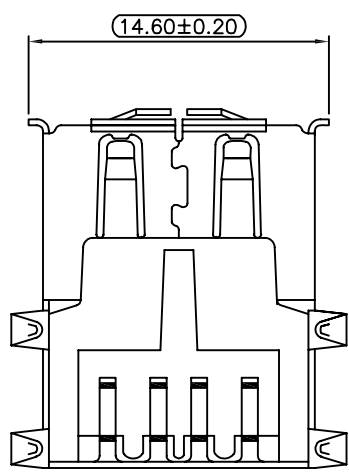
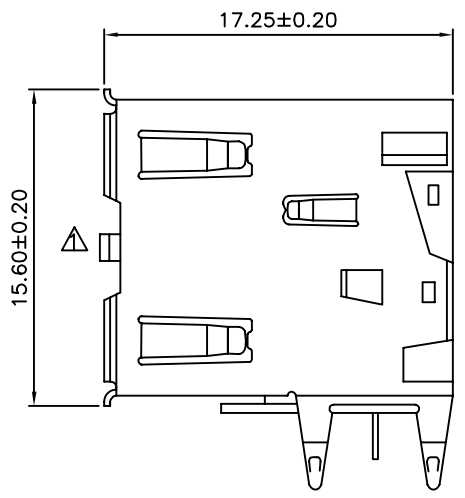
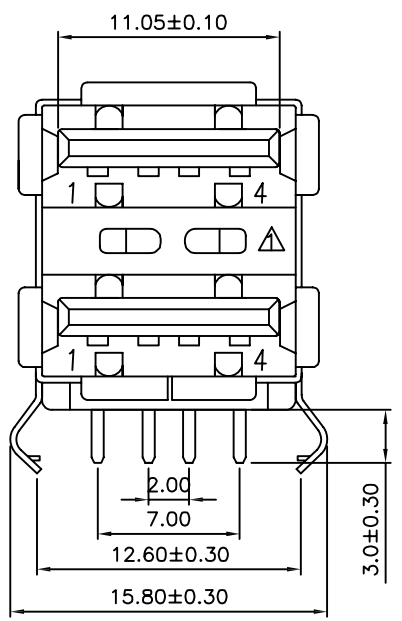
USB- 317 A X 04 P X D 1 0 0 X  
 1 2 3 4 5 6 7 8 9 10 11

- 1.SERIES NO.  
 2.TYPE: A=Standard  
 3.ENVIRONMENT PROTECTION MATERIAL.  
 --General  
 E=RoHS  
 4.CONTACT NUMBER:  
 04  
 5.CONTACT TYPE:  
 P=FEMALE  
 6.CONTACT AREA PLATING:  
 G=Gold Flash  
 S=1u" Gold (Selective)  
 A=5u" Gold (Selective)  
 C=15u" Gold (Selective)  
 D=30u" Gold (Selective)

- 7.TYPE OPTION:  
 D=Dual Port  
 8.SHEEL:  
 1=With Rearcover  
 9.ANGLE OPTION:  
 0=Right Angle  
 10.FUNCTION  
 0=Standard  
 11.INSULATOR COLOR  
 1=White  
 3=Black

4	Grounding Strip	1	Stainless Steel	T=0.30mm	Nickel Plated
3	Shell	1	Copper alloy	T=0.30mm	Nickel Plated
2	Contact	8	Copper alloy	T=0.25mm	Gold Flashed
1	Housing	1	P.B.T	UL 94-V0	Black/Ivory
No.	Name	Q'ty	Material	Remarks & Thickness	Finish

GENERAL TOLERANCES ( UNLESS SPECIFIED ) DIMENSION STYLE : MM < INCH >		FINISH SEE NOTES			
		MATERIAL SEE NOTES			
4 PLACES	± ---	± ---	DRAWN BY	DATE	TITLE USB A TYPE, DUAL PORT, W/SHIELD, R/A, TH
3 PLACES	± ---	± ---	REMY	03-08-10	
2 PLACES	± 0.20	± ---	CHECKED BY	DATE	SIZE A4
1 PLACES	± 0.30	± ---	CARDL	03-08-10	DRAWING NO. USB-317AX04PXA100X
0 PLACES	± ---	± ---	APPROVED BY	DATE	SCALE NONE
ANGULAR ± 1		THIRD ANGLE PROJECTION		---	SHEET 1 OF 1
					REV. A



RECOMMENDED P.C.B LAYOUT  
 TOLERANCES: ±0.05mm