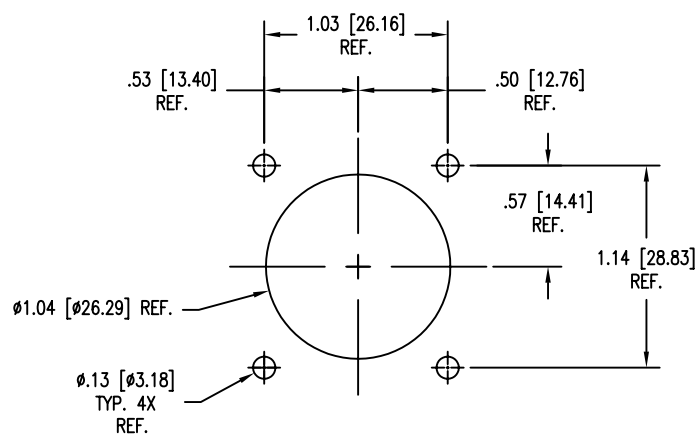
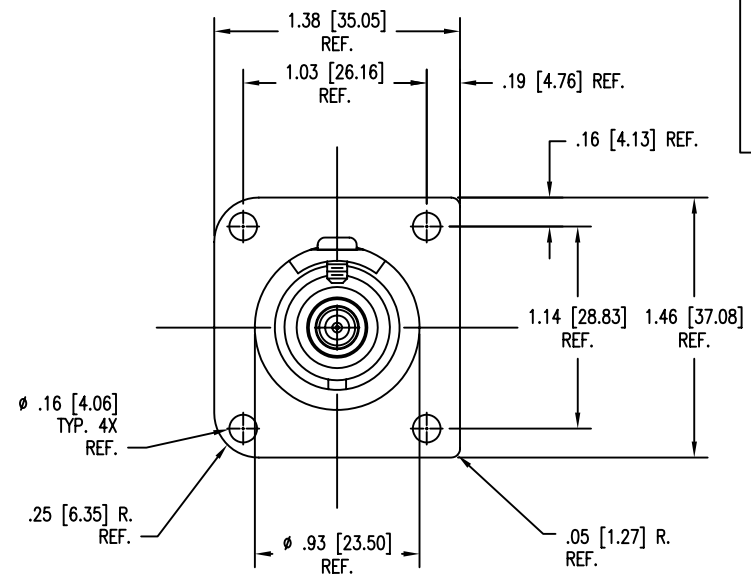
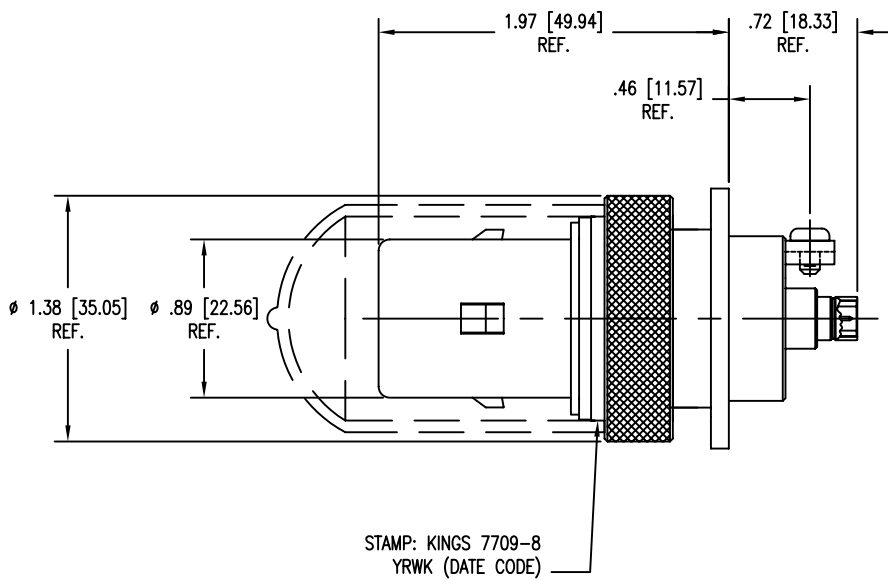


DASH NO.	M CODE	MADE FROM
----------	--------	-----------

GSD

7709-8

REVISIONS	
ISSUE	CHANGES
1	ER 39549 JPK 07/28/06
2	CN 39561 E JPK 08/07/06



MOUNTING HOLE

GSD

- NOTES:
- MATERIALS:**
 INSULATORS: TEFLON, ASTM-D4894
 GASKETS: SILICONE RUBBER, A-A-59588
 CONDUCTIVE GASKETS: CONSIL C 87-10004, 60-70 DUROMETER
 CONTACT TIPS: DELRIN 150
 PROTECTIVE CAPS: VINYL
 BODY: BERYLLIUM COPPER, ASTM-B196
 ALL OTHER METAL PARTS: BRASS, ASTM-B16
 - FINISHES:**
 CENTER CONTACT: HARD GOLD PLATE, ASTM-B488
 ALL OTHER METAL PARTS: NICKEL PLATE, SAE-AMS-QQ-N-290
 - ELECTRICAL CHARACTERISTICS:**
 NOMINAL IMPEDANCE: 75 OHMS
 FREQUENCY RANGE: DC TO 500 MHz
 WORKING VOLTAGE: 500 VRMS
 - MECHANICAL CHARACTERISTICS:**
 AXIAL PULL: 150 LBS.
 OFF AXIS TORQUE: 110 IN-LBS.
 - SIMILAR TO:** LEMO AZG-4A (MAY BE USED ON GRASSVALLEY/THOMPSON LDK-5000/LDK-6000 MARK2 WORLDCAM CAMERA)

7709-8SD

SCALE 3 : 2

APPROX SURFACE AREA N/A

USED ON

REF: EQR 904

ADPT, TRI-LOC TO SMB

DRAWN J. KENNEDY DATE 05/23/05

DESIGN J. KENNEDY DATE 05/20/05

APPR. DATE



7709-8