

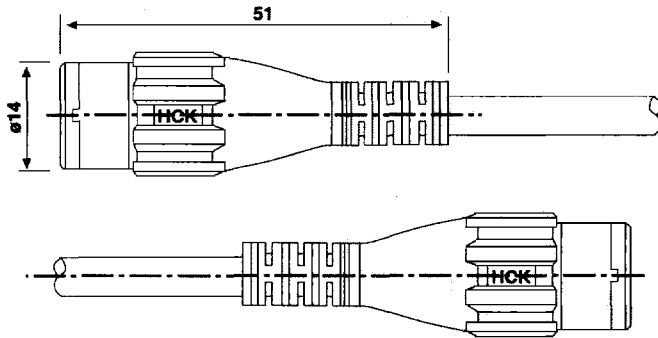
Part No.	Type	Nominal diameter	Withdraw. force	Rated current	Contact resistance
----------	------	------------------	-----------------	---------------	--------------------

XLSS-58
XLSS-59

- i7.9770-050 (50 cm)
- i7.9770-100 (100 cm)
- i7.9770-150 (150 cm)
- i7.9770-200 (200 cm)

XLSS-59

- i7.9771-050 (50 cm)
- i7.9771-100 (100 cm)
- i7.9771-150 (150 cm)
- i7.9771-200 (200 cm)



1:1

Technical specifications:

Voltage between inner conductor and shield: max 500 V, CAT II / 300 V, CAT III
 Voltage between shield and outer insulation: 1000 V, CAT II / 600 V, CAT III
 Impedance: 50 Ω (XLSS-58), 75 Ω (XLSS-59)

BNC interconnection leads. Coaxial lead with male BNC connectors on both ends of either RG 58 or RG 59 coaxial cable.
 Inner contact is gold plated.

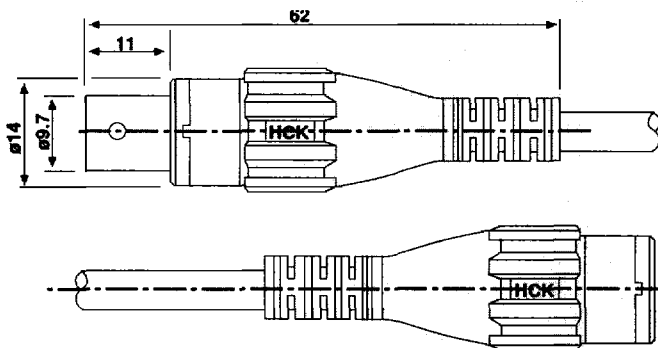
Insulation of BNC connectors: Polyamide (PA)
 Colors of BNC connectors: 21, 22, 23
 Color of the cable: black

XLSK-58
XLSK-59

- i7.9773-050 (50 cm)
- i7.9773-100 (100 cm)
- i7.9773-150 (150 cm)
- i7.9773-200 (200 cm)

XLSK-59

- i7.9774-050 (50 cm)
- i7.9774-100 (100 cm)
- i7.9774-150 (150 cm)
- i7.9774-200 (200 cm)



1:1

Technical specifications:

Voltage between inner conductor and shield: max 500 V, CAT II / 300 V, CAT III
 Voltage between shield and outer insulation: 1000 V, CAT II / 600 V, CAT III
 Impedance: 50 Ω (XLSK-58), 75 Ω (XLSK-59)

BNC interconnection leads. Coaxial lead with a male BNC connector on one end and a female BNC connector on the other of either RG 58 C/U or RG 59 coaxial cable.
 Inner contact is gold plated.

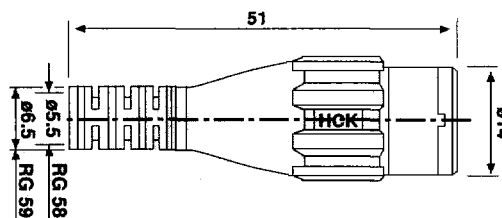
Insulation of BNC connectors: Polyamide (PA)
 Colors of BNC connectors: 21, 22, 23
 Color of the cable: black

20 - green/yellow 21 - black 22 - red 23 - blue 24 - yellow 25 - green 26 - violet 27 - brown 28 - gray 29 - white 33 - transparent

Nominal diameter Withdraw. force Rated current Contact resistance

Type Part No

Fully insulated male BNC connector for self assembly by customer onto standard coaxial cable RG 58 or RG 59. The inner contact pin is gold plated and may be crimped or soldered to the cable and the shield is connected by means of a crimping sleeve. The two part insulator is snapped together after cable termination.



XBS-58 67.9760
XBS-59 (XBS-58)

67.9761
(XBS-59)



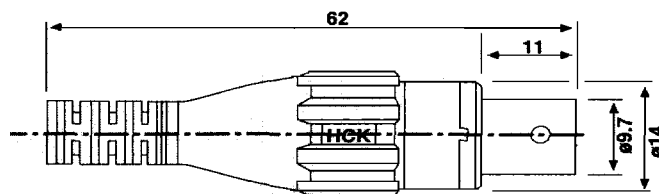
1:1

Technical specifications:

Voltage between inner conductor and shield: max 500 V, CAT II / 300 V, CAT III
Voltage between shield and outer insulation: 1000 V, CAT II / 600 V, CAT III
Impedance: 50 Ω (XBS-58), 75 Ω (XBS-59)

Insulation of BNC connectors: Polyamide (PA)
Colors of BNC connectors:21, 22, 23

Fully insulated female BNC connector for self assembly by customer onto standard coaxial cable RG 58 or RG 59. The inner contact socket is gold plated and may be crimped or soldered to the cable and the shield is connected by means of a crimping sleeve. The two part insulator is snapped together after cable termination.



XBK-58 67.9762
XBK-59 (XBK-58)

67.9763
(XBK-59)



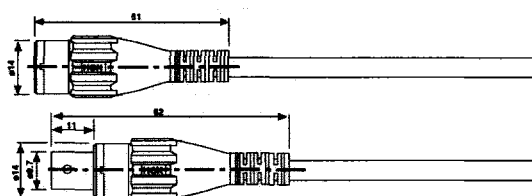
1:1

Technical specifications:

Voltage between inner conductor and shield: max 500 V, CAT II / 300 V, CAT III
Voltage between shield and outer insulation: 1000 V, CAT II / 600 V, CAT III
Impedance: 50 Ω (XBK-58), 75 Ω (XBK-59)

Insulation of BNC connectors: Polyamide (PA)
Colors of BNC connectors:21, 22, 23

Adapter lead, with two in-line safety plugs, type XL-414 on one side and either a male BNC (XLAM-414) or a female (XLAF-414) on the other. The inner conductor of the RG 58 BNC lead is connected to the red and the shield to the black safety plug. The inner contact of the BNC connector is gold plated.



XLAM-414 • XLAM-414
XLAF-414

67.9776-050

(50 cm)

67.9776-100

(100 cm)

67.9776-150

(150 cm)

67.9776-200

(200 cm)

• XLAF-414

67.9777-050

(50 cm)

67.9777-100

(100 cm)

67.9777-150

(150 cm)

67.9777-200

(200 cm)



1:2

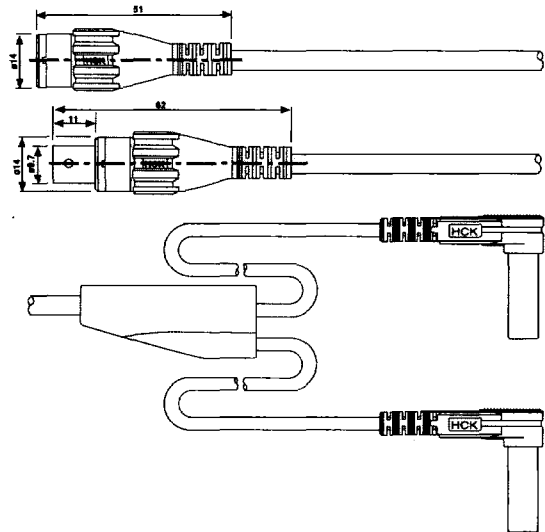
Technical specifications:

Voltage between inner conductor and shield: max 500 V, CAT II / 300 V, CAT III
Voltage between shield and outer insulation: 1000 V, CAT II / 600 V, CAT III
Insulation of BNC connectors: Polyamide (PA)
Insulation of cable: Silicone

Colors of BNC connectors:21, 22, 23
Color of the 4 mm plugs: black & red
Color of the cable: black

20 - green/yellow 21 - black 22 - red 23 - blue 24 - yellow 25 - green 26 - violet 27 - brown 28 - gray 29 - white 33 - transparent

Part No.	Type	Nominal diameter	Withdraw. force	Rated current	Contact resistance
XLAM-480 i7.9778-050 (50 cm) i7.9778-100 (100 cm) i7.9778-150 (150 cm) i7.9778-200 (200 cm)	XLAM-480 XLAF-480	4 mm	-	-	-
XLAF-480 i7.9779-050 (50 cm) i7.9779-100 (100 cm) i7.9779-150 (150 cm) i7.9779-200 (200 cm)					

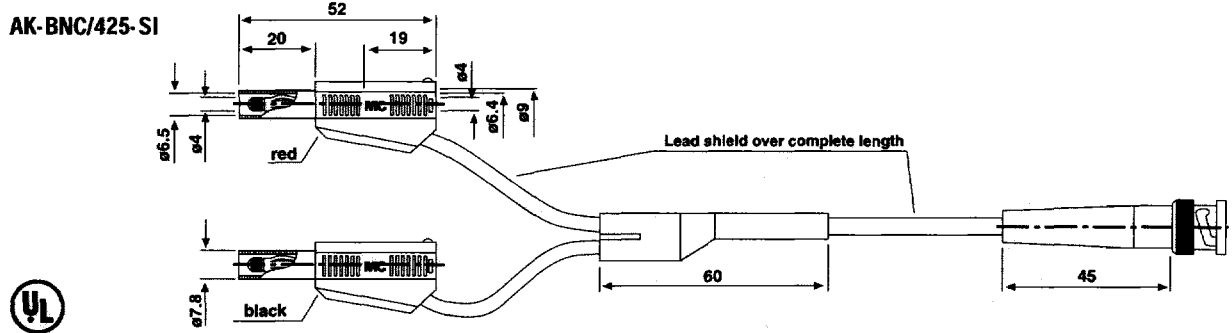


Adapter lead with two in-line safety plugs, type XL-480 on one side and either a male BNC (XLAM-480) or a female (XLAF-480) on the other. The inner conductor of the RG 58 BNC lead is connected to the red and the shield to the black safety plug. The inner contact of the BNC connector is gold plated.

Technical specifications:

Voltage between inner conductor and shield: max 500 V, CAT II / 300 V, CAT III
 Voltage between shield and outer insulation: 1000 V, CAT II / 600 V, CAT III
 Insulation of cable: Silicone
 Insulation of BNC connectors: Polyamide (PA)
 Colors of BNC connectors: 21, 22, 23
 Color of the 4 mm plugs: black & red
 Color of the cable: black

8.0118-160	AK-BNC/425-SI				
------------	---------------	--	--	--	--

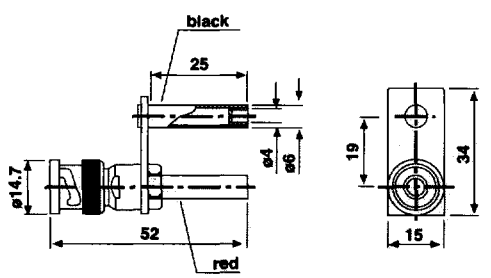


BNC adapter lead. One end equipped with BNC male connector and the other end with one red and one black stackable 4 mm diameter safety plugs. The red safety plug is connected to the inner conductor while the black safety plug is connected to the shield. Length is 160 cm.

Technical specifications:

Voltage between inner shield and ground: 30 Vac / 60 Vdc
 Voltage between inner conductor and shield: 500 V, CAT II
 Lead insulation: PVC
 Lead operating temperature: -40°C to +80°C
 BNC inner conductor: contact pin, brass, gold plated
 Metal part - shield: brass, nickel plated
 Metal part - 4 mm plugs: brass, gold plated
 Color: black & red

4.0167	A-BNC/4-2P	4 mm	-	-	-
--------	------------	------	---	---	---



BNC adapter with male BNC connector and one red 4 mm diameter safety socket and one black 4 mm safety socket. The red safety socket is connected to the BNC inner conductor and the black safety socket is connected to the BNC shield.

Technical specifications:

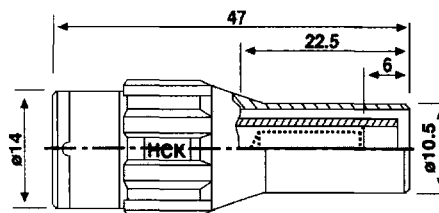
Voltage between inner shield and ground: 30 Vac / 60 Vdc
 Voltage between inner conductor and shield: 500 V, CAT II
 Insulation: Polyamide (PA)
 Color: black & red

- 20 - green/yellow 21 - black 22 - red 23 - blue 24 - yellow 25 - green 26 - violet 27 - brown 28 - gray 29 - white 33 - transparent

Nominal diameter Withdraw. force Rated current Contact resistance

4 mm - - -

Single pole BNC adapter. The gold plated contact pin of the male BNC is connected to a 4 mm safety socket.



Type Part No

XM-B **67.9793**

1:1

Technical specifications:

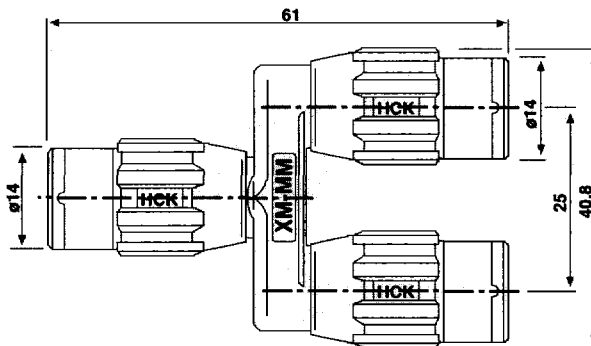
Voltage between inner conductor / outer insulation: max 500 V, CAT II / 300 V, CAT III

Insulation: Polyamide (PA)

Colors: 21, 22, 23

4 mm - - -

BNC distributor, three male BNC connectors inter-linked to allow the distribution of measuring signals.



Type Part No

XM-MM **67.9783**

1:1

Technical specifications:

Voltage between inner conductor and shield: max 500 V, CAT II / 300 V, CAT III

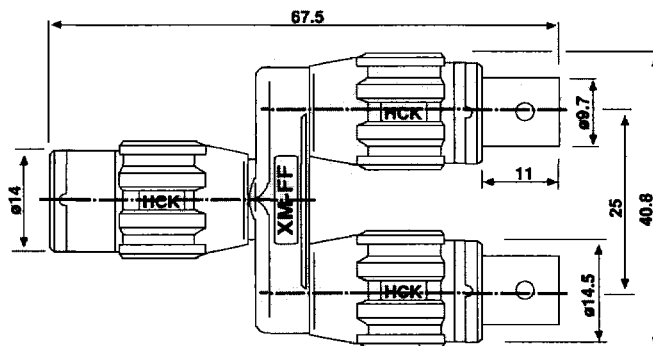
Insulation: Polyamide (PA)

Voltage between shield and outer insulation:1000 V, CAT II / 600 V, CAT III

Color: black

4 mm - - -

BNC distributor, one male BNC connector inter-linked to two female BNC connectors to allow the distribution of measuring signals.



Type Part No

XM-FF **67.9783**

1:1

Technical specifications:

Voltage between inner conductor and shield: max 500 V, CAT II / 300 V, CAT III

Insulation: Polyamide (PA)

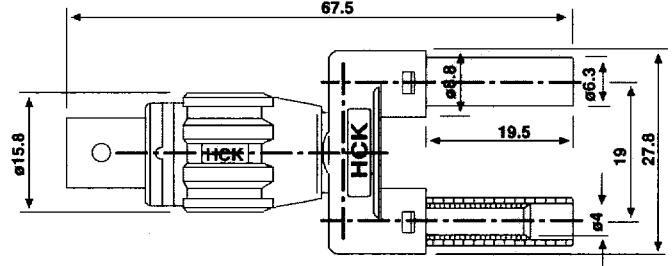
Voltage between shield and outer insulation:1000 V, CAT II / 600 V, CAT III

Color: black

20 - green/yellow 21 - black 22 - red 23 - blue 24 - yellow 25 - green 26 - violet 27 - brown 28 - gray 29 - white 33 - transparent

Part No.	Type	Nominal diameter	Withdraw. force	Rated current	Contact resistance
----------	------	------------------	-----------------	---------------	--------------------

i7.9798	XF-BB	4 mm	-	-	-
---------	-------	------	---	---	---



BNC adapter, a female BNC connector linked to two 4 mm safety sockets. The gold plated contact pin of the BNC is connected to the red and the shield to the black safety socket.

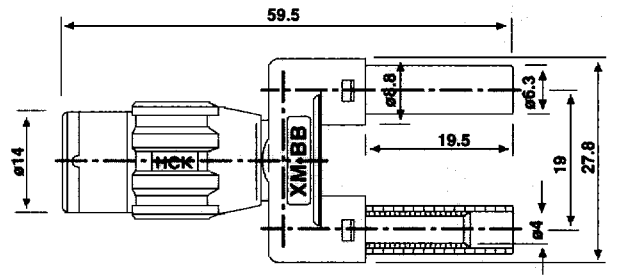


1:1

Technical specifications:

Voltage between inner conductor and shield: max 500 V, CAT II / 300 V, CAT III
 Voltage between shield and outer insulation: 1000 V, CAT II / 600 V, CAT III
 Insulation: Polyamide (PA)
 Color: black & red

i7.9787	XM-BB	4 mm	-	-	-
---------	-------	------	---	---	---



BNC adapter, male BNC connector linked to two 4 mm safety sockets. The gold plated contact pin of the BNC is connected to the red and the shield to the black safety socket.

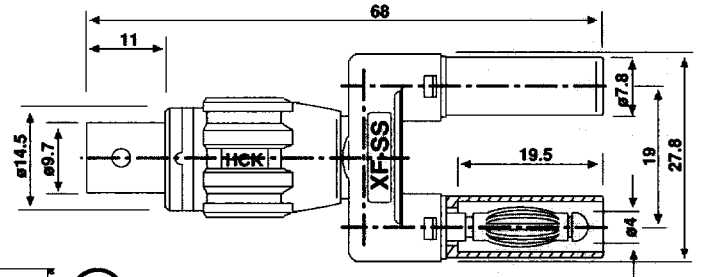


1:1

Technical specifications:

Voltage between inner conductor and shield: max 500 V, CAT II / 300 V, CAT III
 Voltage between shield and outer insulation: 1000 V, CAT II / 600 V, CAT III
 Insulation: Polyamide (PA)
 Color: black & red

i7.9788	XF-SS	4 mm	-	-	-
---------	-------	------	---	---	---



BNC adapter, a female BNC connector linked to two 4 mm safety sockets. The gold plated contact pin of the BNC is connected to the red and the shield to the black safety socket.



1:1

Technical specifications:

Voltage between inner conductor and shield: max 500 V, CAT II / 300 V, CAT III
 Voltage between shield and outer insulation: 1000 V, CAT II / 600 V, CAT III
 Insulation: Polyamide (PA)
 Color: black & red

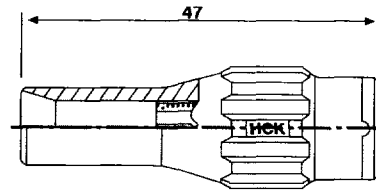
- 20 - green/yellow 21 - black 22 - red 23 - blue 24 - yellow 25 - green 26 - violet 27 - brown 28 - gray 29 - white 33 - transparent

Nominal diameter Withdraw. force Rated current Contact resistance

Type Part No

HCK-Isoprobe® plug-on insulated BNC adapter, rated 500 V, CAT II, 300 V, CAT III, has a sleeve to accept the tip of the Isoprobe® on one side and a BNC male connector on the other.
See HCK-Isoprobe® and accessories on pages 256-258.

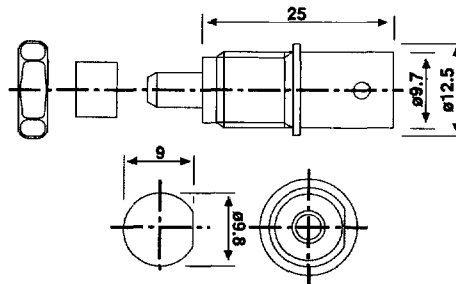
Colors: 21, 22, 23



XTBA 68.9805

1:1

Fully insulated panel-mount BNC socket for connection to RG 58 or RG 59 coaxial cable. The inner contact is gold plated and may be crimped or soldered to the cable. The shield is connected by means of a crimping sleeve.



XBB-C 58 67.9766
XBB-C 59 (XBB-C 58)

67.9767
(XBB-C 59)

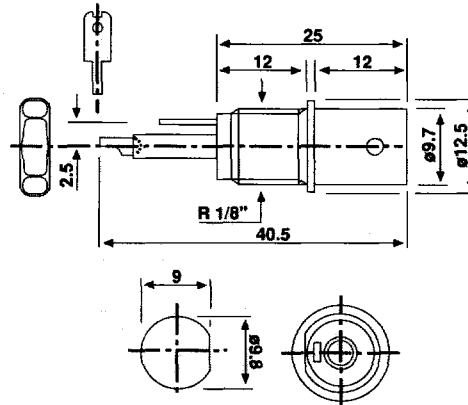
1:1

Technical specifications:

Voltage between inner conductor and shield: max 500 V, CAT II / 300 V, CAT III
Voltage between shield and outer insulation: 1000 V, CAT II / 600 V, CAT III

Insulation - external: Polyamide (PA)
Insulation - internal: Teflon® (PTFE)
Colors: 21, 22, 23

Fully insulated panel-mount BNC socket with solder connections. The inner contact is gold plated and the shield is nickel plated with a tin plate solder connection.



XBB-L 67.9764

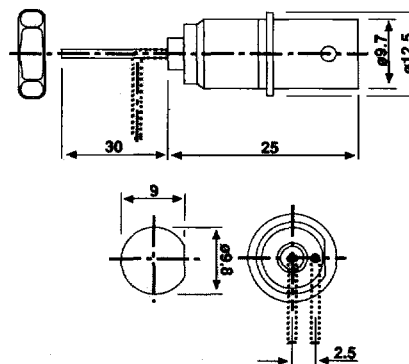
1:1

Technical specifications:

Voltage between inner conductor and shield: max 500 V, CAT II / 300 V, CAT III
Voltage between shield and outer insulation: 1000 V, CAT II / 600 V, CAT III

Insulation - external: Polyamide (PA)
Insulation - internal: Teflon® (PTFE)
Colors: 21, 22, 23

Fully insulated panel-mount BNC socket with two solder connections which can be bent and is suitable for direct connection to circuit boards. The inner contact is gold plated and the shield is nickel plated.



XBB-P 67.9765

1:1

Technical specifications:

Voltage between inner conductor and shield: max 500 V, CAT II / 300 V, CAT III
Voltage between shield and outer insulation: 1000 V, CAT II / 600 V, CAT III
Length of connection wires: 30 mm

Diameter of connection wires: 0.8 mm
Insulation - external: Polyamide (PA)
Insulation - internal: Teflon® (PTFE)
Colors: 21, 22, 23

20 - green/yellow 21 - black 22 - red 23 - blue 24 - yellow 25 - green 26 - violet 27 - brown 28 - gray 29 - white 33 - transparent