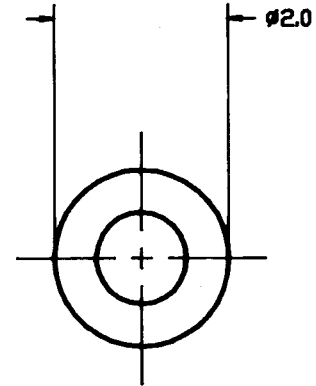
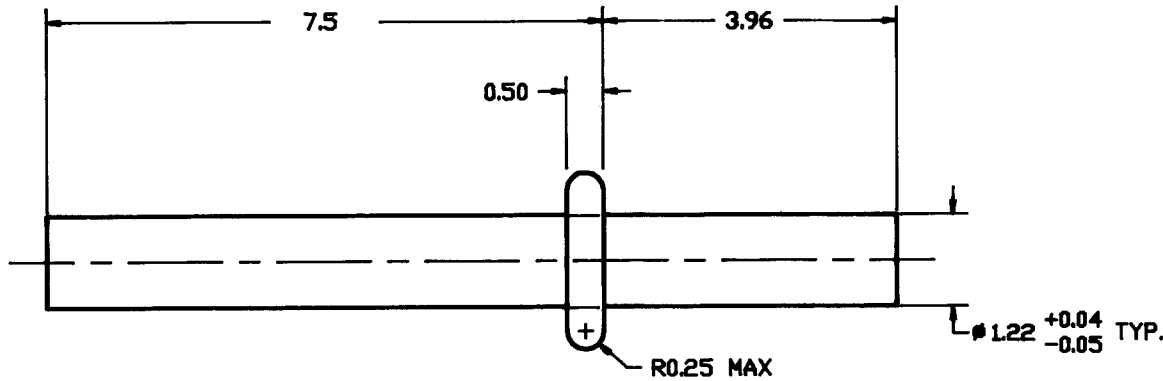


THIRD ANGLE PROJECTION

DO NOT SCALE



6	21.06.89	1460
5	19.12.88	1384
4	30.05.86	982
3	15.04.82	642
2	16.06.81	613
1	03.04.79	---

ISS.	DATE	CHANGE
------	------	--------

APPD. *[Signature]*

CHKD. J.C.

DRAWN PDC

CUSTOMER REF.

COMPUTER No.

ASSY. DRAWING

DRAWING NUMBER  
H2156-XX

H2156-01	F0101 (90/10 TIN/LEAD)
H2156-00	SELF COLOUR
DRAWING No.	FINISH

**HARWIN**

Harwin Engineers S.A.  
Fitzherbert Road, Farlington, Portsmouth, PD6 1RT.  
Telephone: 0705 388755. Telex: 66125

MATERIAL BRASS CZ108 1/2 H  
TO BS2873

TITLE TERMINAL PIN

TOLERANCES

X.	± 1mm
X.X	± 0.25mm
X.XX	± 0.1mm
X.XXX	± 0.01mm

FINISH SEE ABOVE

S/AREA	mm <sup>2</sup>
DIMS. IN MM	
SCALE	N.T.S.