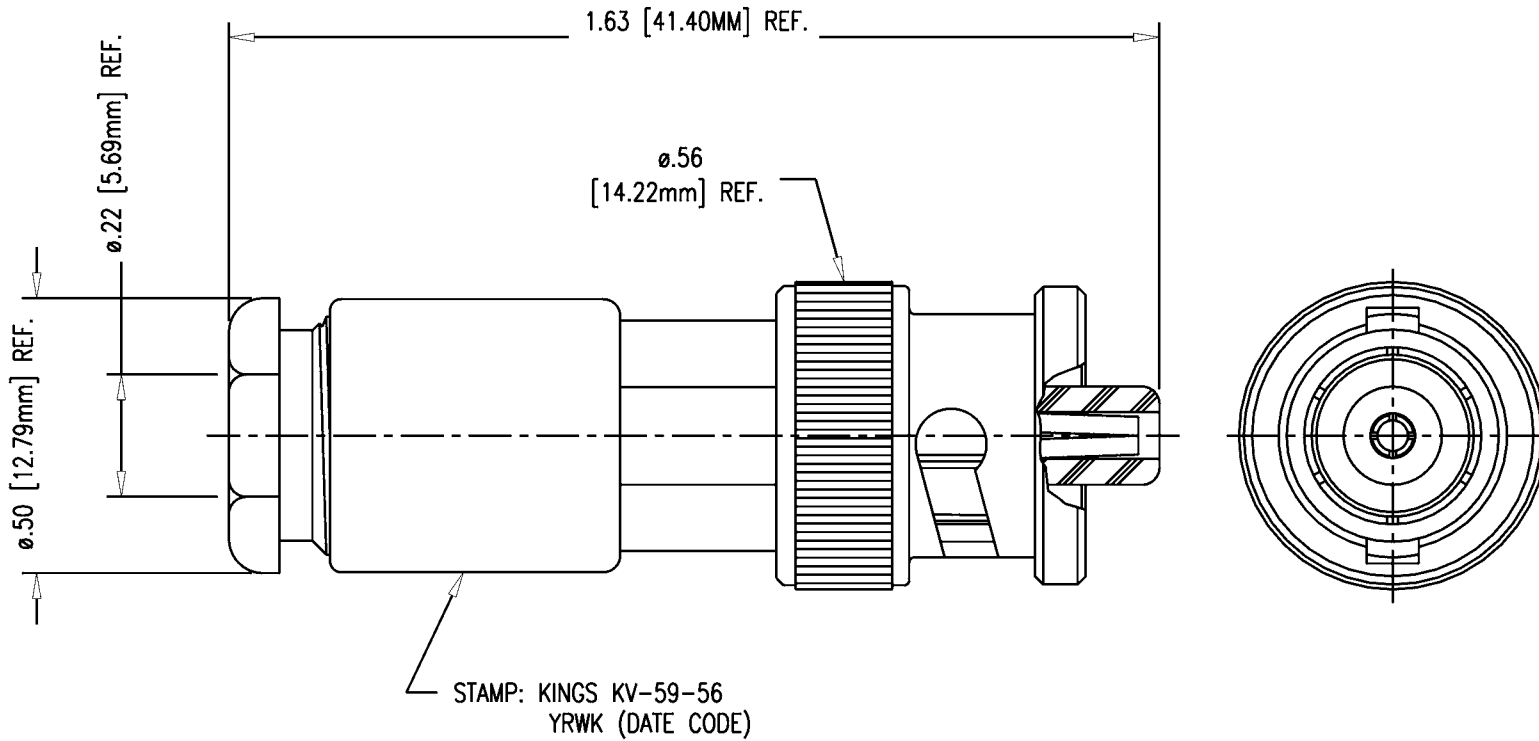


| | | |
|----------|--------|-----------|
| DASH NO. | M CODE | MADE FROM |
|----------|--------|-----------|

GSD

KV-59-56

| REVISIONS | |
|-----------|----------------------------|
| ISSUE | CHANGES |
| 0 | ER 11581 JGL 10/26/72 |
| 1 | CN 26225 C CT 06/29/84 |
| 2 | CN 27321 C CT 07/23/85 |
| 3 | CN 38678 C BDH 10/04/02 |



NOTES:

1. APPLY A BAND APPROX. 3/16" WIDE, OF RED DIE MAKERS INK, AT ASSEMBLY.
2. FOR USE WITH RG-55, 58, & 223/U CABLE GROUPS.
3. FOR CABLING INSTRUCTIONS SEE CP-1002.

| | | |
|----------------------|-----|---------------|
| SCALE | 4:1 | |
| APPROX SURFACE AREA | | |
| USED ON | | |
| REF: | | |
| PLUG, MHV, POLARIZED | | |
| DRAWN | BG | DATE 09/13/72 |
| DESIGN | | DATE |
| APPR. | LI | DATE 10/26/72 |

KINGS
ELECTRONICS CO., INC.
ROCK HILL, SOUTH CAROLINA 29730

GSD

KV-59-56