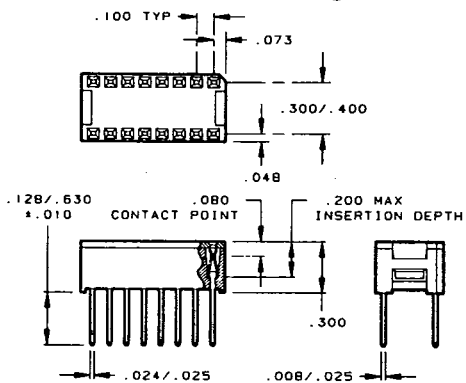


# I.C. Sockets

## Socket-Dip .300 High



**Benefits/Features**

Sizes available - 10, 14, 16, 18, 20, 24, 28, 36, & 40  
 Side stackable, closed entry  
 Low cost  
 Dual leaf edge wipe contact  
 Consult factory for additional tail lengths, plating options  
 & contact material  
 Mates with IDP, IDP2, P, PF, PLC, MS, MP

**Specifications**

Electrical Rating: 1 AMP @ 300Vrms  
 Temperature range: -65 °C to +125 °C  
 Insulation Material: Glass filled polyester, black UL94V-0  
 Contact material: Phosphor bronze  
 Contact plating: 10µIN gold, 250 µIN tin

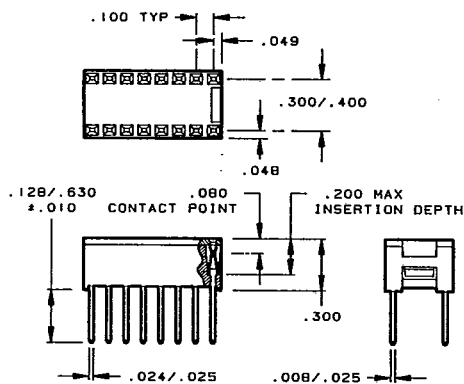
**Circuit Assembly Part Numbers**

No. of Pos.	Gold Plate	
	Solder Tail	Wire Wrap
10	CA-10S-10SD	CA-10S-103WW
14	CA-14S-10SD	CA-14S-103WW
16	CA-16S-10SD	CA-16S-103WW
18	CA-18S-10SD	CA-18S-103WW
20	CA-20S-10SD	CA-20S-103WW
24	CA-24S-10SD	CA-24S-103WW
28	CA-28S-10SD	CA-28S-103WW
36	CA-36S-10SD	CA-36S-103WW
40	CA-40S-10SD	CA-40S-103WW

Note: For tin plate, replace "10" with "T."

A-23-05

## Socket-Dip, End Stackable .300 High



**Benefits/Features**

Sizes available - 8, 14, 16, 18, and 22  
 Side and end stackable with closed entry  
 Dual leaf, edge wipe contact  
 Consult factory for additional tail lengths, plating options  
 and contact material  
 Mates with IDP, IDP2, P, PF, PLC, MS, MP

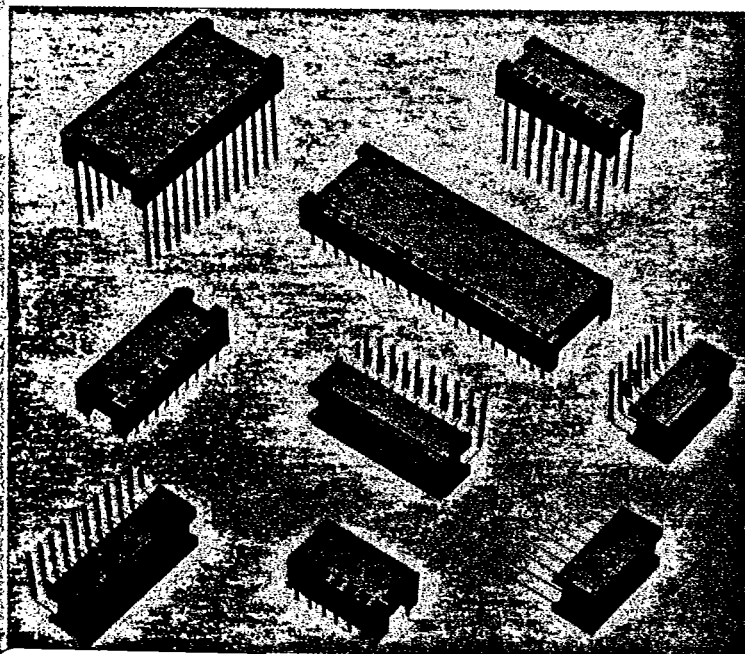
**Specifications**

Electrical Rating: 1 AMP @ 300Vrms  
 Temperature range: -65 °C to +125 °C  
 Insulation Material: Glass filled polyester, black UL94V-0  
 Contact material: Phosphor bronze  
 Contact plating: 10µIN gold, 250 µIN tin

**Circuit Assembly Part Numbers**

No. of Pos.	Gold Plate	
	Solder Tail	Wire Wrap
08	CA-08SE-10SD	CA-08SE-103WW
14	CA-14SE-10SD	CA-14SE-103WW
16	CA-16SE-10SD	CA-16SE-103WW
18	CA-18SE-10SD	CA-18SE-103WW
22	CA-22SE-10SD	CA-22SE-103WW

Note: For tin plate, replace "10" with "T."



3772 D-01

## Socket-Dip, Right Angle

