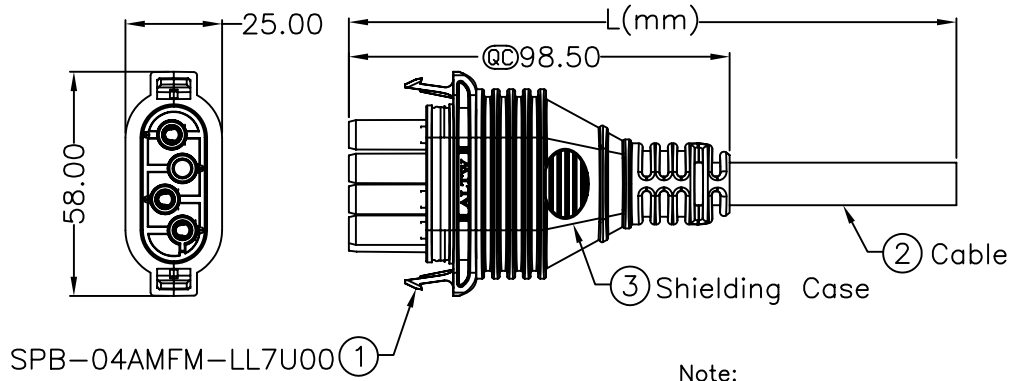
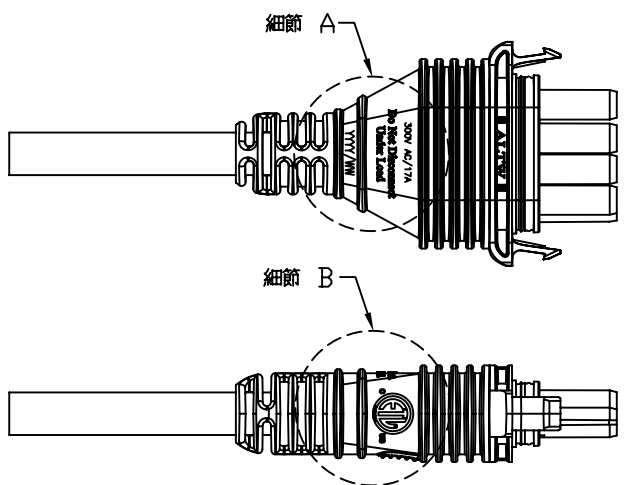


THIS DOCUMENT IS SUBJECT TO CHANGE WITHOUT NOTICE. IT IS CONFIDENTIAL AND A PROPERTY OF Amphenol LTW. DISCLOSURE TO THIRD PARTY HAS TO BE AUTHORIZED BY Amphenol LTW.

5	6	7	8
REV.	ECN NO.	DATE	SIGN
			DESCRIPTION

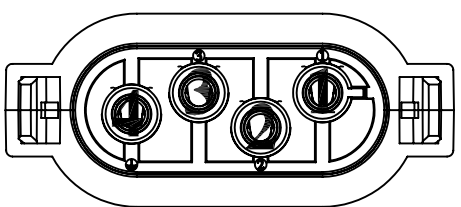
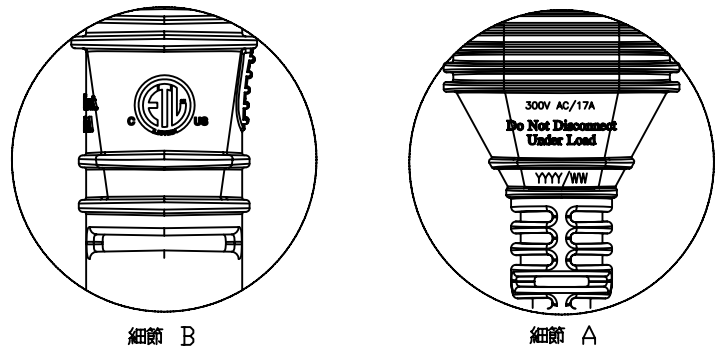


- Note:
- \* QC Important Dimension To Check.
  - \* Vibration : 5 ~ 55 HZ
  - \* Pollution Degree : III
  - \* Waterproof Rate: IP67
  - \* Housing: M-PPE, Black
  - \* Female Pin: Copper Alloy, Tin Plated
  - \* O-Ring: Silicone, Gray
  - \* Cable: TC-ER 12/14#\*3/4C+Filler, PVC Jacket, UV Resistant, Black 90°C dry or 90°C wet
  - \* Ambient: -40~85°C
  - \* Avoid oil and gasoline.
  - \* Connector Operating Temperature: -40~105°C
  - \* Working Voltage Rating: MAX 300V AC
  - \* Working Current Rating: 17A
  - \* Withstanding Voltage: 6kV
  - \* Cable Operating Temperature:
    - 40~+90°C (Static Application)
    - 25~+90°C (Occasionally Moving)
  - \* Disassembly-By the unlock tool.
  - \* Cable Length Tolerance:
    - 01M:±40mm
    - 02M~05M:±60mm
    - 06M~10M:±100mm
    - 11M~30M:±200mm
    - 31M~99M:±500mm

SPB-04AMFM-LL7RXX

XX:01~99Meter  
 01:01Meter  
 02:02Meters  
 ...  
 99:99Meters

Cable Length(L):01~99Meters



QC  
 Laser Mark:  
 XX=Customized Cable Length  
 YYYY=Year  
 WW=Week

Green	綠	4
Red	紅	3
White	白	2
Black	黑	1
Wire Color	Conn	
Pin Out		



UNIT:mm	TITLE CABLE LOCK 4PIN M CONN F PIN	
TOLERANCE ±0.5mm	SCALE Free	SHEET 1 OF 1
REV. A	SIZE A4	QC : Inspection Item

**Amphenol LTW**  
 安費諾亮泰企業股份有限公司

ITEM NO SPB-04AMFM-LL7RXX	DRAWN BY Allen	DATE 2012/08/28
DWG NO SPB-04AMFM-LL7RXX	CHECKED BY Benson	DATE 2012/08/28
CUSTOMER ALTW	APPROVED BY Maslow	DATE 2012/08/28

A B C D E F