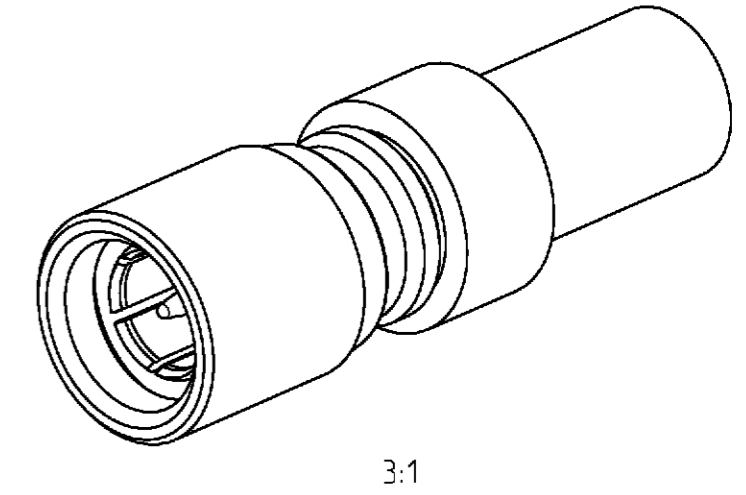
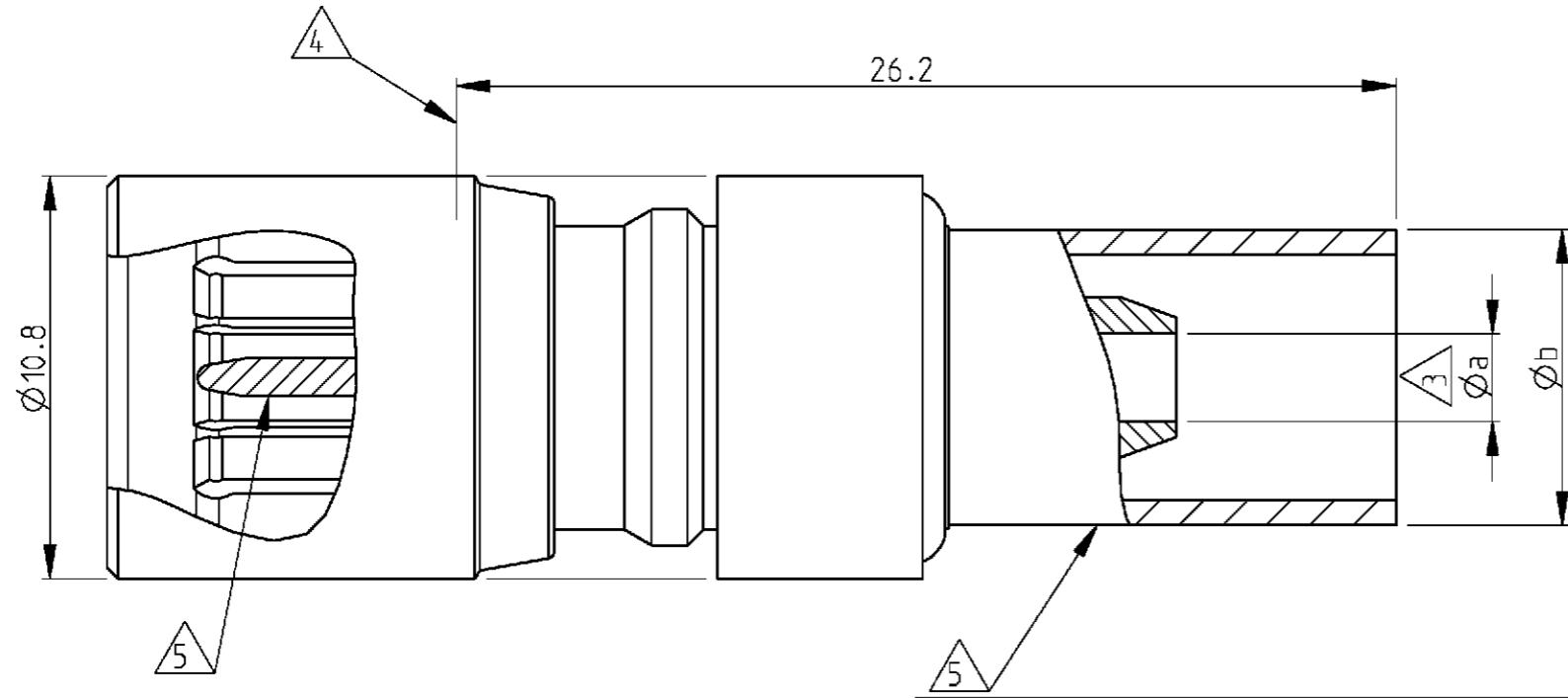


THIS DRAWING IS UNPUBLISHED. RELEASED FOR PUBLICATION 2000
 © COPYRIGHT 2000 BY TYCO ELECTRONICS CORPORATION. ALL RIGHTS RESERVED.

LOC	DIST	REVISIONS				
P	LTR	DESCRIPTION	DATE	DWN	APVD	
GW	-	A	-	5APR2001	BL	KM

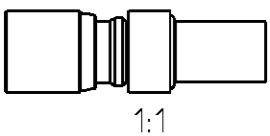


Cross reference table

Old part number	Tyco part number	Description	Material	Plating	Cable type	Appl spec	Øa	Øb
V23612-B109-A34A	1-1393672-1 6	Outer conductor	CuBe	1 µm Au min in contact area	TR-SP 127	114-71029	2.35	6.4
		Center conductor	CuBe/Brass	1 µm Au min in contact area				
		Dielectric	PEEK/PC	-				
V23612-B109-A34	1-1393672-0	Outer conductor	CuBe	1 µm Au min in contact area	TR-SP 127	114-71029	2.35	6.4
		Center conductor	CuBe/Brass	1 µm Au min in contact area				
		Dielectric	PEEK/PC	-				
V23612-B102-A32	1393672-7	Outer conductor	CuBe	1 µm Au min in contact area	TR-SP 109	114-71021	3.8	8.2
		Center conductor	CuBe/Brass	1 µm Au min in contact area				
		Dielectric	PEEK/PC	-				

- 6 Packed in tray
- 5 Supplied as loose part
- 4 Reference plane.
- 3 minimum dimensions.

2) Mating face according to DIN 47295/CECC 22240.
 1) Construction : 3 component principle.
 All dimensions are maximum unless otherwise specified.



THIS DRAWING IS A CONTROLLED DOCUMENT FOR TYCO ELECTRONICS CORPORATION. IT IS SUBJECT TO CHANGE AND THE CONTROLLING ENGINEERING ORGANIZATION SHOULD BE CONTACTED FOR THE LATEST REVISION.

DIMENSIONS: mm	TOLERANCES UNLESS OTHERWISE SPECIFIED:	DWN B. Lenvain 30MAR2001	Tyco Electronics Oostkamp - Belgium
	0 PLC ± 1 PLC ±± 2 PLC ±±± 3 PLC ±±±± 4 PLC ±±±±± ANGLES ± FINISH -	CHK K. Mattheeuws 5APR2001	
		APVD R. Leeman 5APR2001	
		PRODUCT SPEC -	
MATERIAL -	FINISH -	APPLICATION SPEC See table	NAME Cable plug 1.6/5.6 75 ohm
		WEIGHT -	SIZE A3 CAGE CODE 00779 DRAWING NO. ©-1393672-7 RESTRICTED TO -
		CUSTOMER DRAWING	SCALE 5/1 SHEET 1 OF 1 REV A