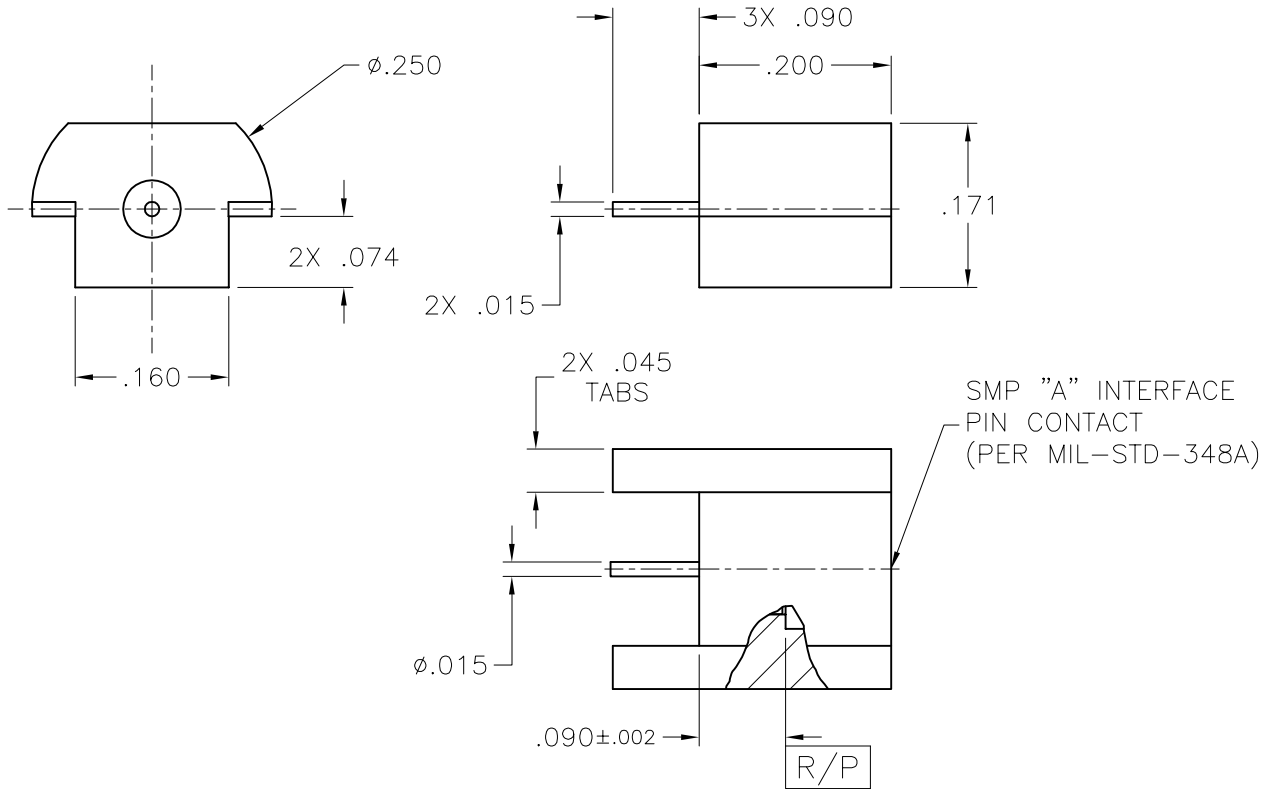


COMPONENT	MATERIAL	FINISH
CONTACT & SMP BODY	BeCu TEMPER TD04 ALLOY C17300, ASTM B196	GOLD PLATE PER ASTM B-488 50 MICROINCHES MIN. OVER NICKEL PLATE PER QQ-N-290, 50 MICROINCHES MIN
INSULATOR	PTFE, ASTM D1710 TYPE I, GRADE 1, CLASS A	-



<b>100-123-0127</b>	SMOOTH BORE
<b>100-123-0128</b>	LIMITED DETENT
<b>100-123-0129</b>	FULL DETENT
<b>CATALOG NUMBER</b>	"A" INTERFACE

NOTE:  
ALL DIMENSIONS NOMINAL UNLESS  
OTHERWISE SPECIFIED

© 2004 W. L. Gore & Associates, Inc.



W. L. GORE & ASSOCIATES, INC. (Gore)  
P.O. BOX 9236, NEWARK, DELAWARE 19714

By acceptance of this document you agree that all rights to drawings, specifications, processes, and other data contained therein, as well as the proprietary and novel features of the subject matter, are reserved by Gore and are disclosed in confidence. They are not to be manufactured, used, sold or disclosed to others, nor are devices embodying such features or information derived from these disclosures to be used or disclosed, unless and until expressly authorized by Gore. These drawings, specifications, processes, etc., are and remain the property of Gore and are not to be copied or reproduced without express permission, and are to be returned upon request therefor.

INSERTION/EXTRACTION TOOL N/A	TITLE SMP PIN EDGE MOUNT TO P.C.B.		
MOUNTING PROCEDURE 100-123-0300	CATALOG NUMBER <b>SEE TABLE</b>	DRAWING NUMBER 508A10863	REV. A