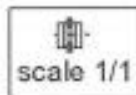
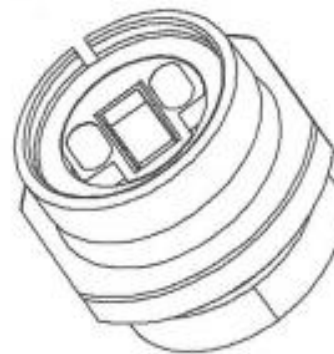
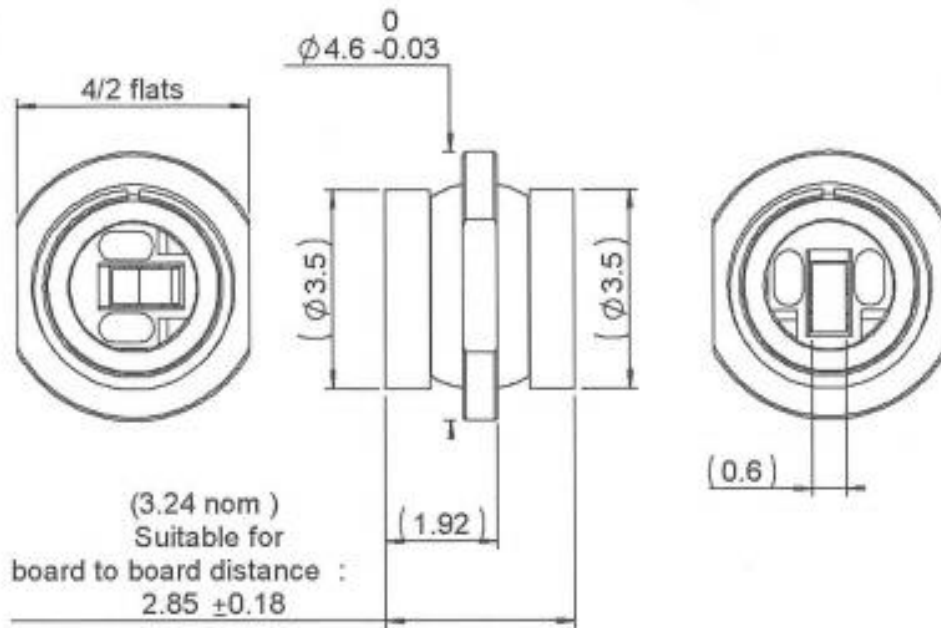


PAGE 1/3	ISSUE 13-09-21A	SERIES IMP	PART NUMBER R107803030
----------	--------------------	------------	------------------------



All dimensions are in mm. Tolerances according ISO 2768 m-H



COMPONENTS	MATERIALS	PLATING (µm)
Body	BRONZE	NPGR
Center contact	BERYLLIUM COPPER	GOLD OVER NICKEL
Outer contact		.
Insulator	PEEK	
Gasket		
Others parts	BERYLLIUM COPPER	NPGR
.	.	.
.	.	.

PAGE 2/3	ISSUE 13-09-21A	SERIES IMP	PART NUMBER R107803030
----------	---------------------------	------------	-------------------------------

PACKAGING

Standard	Unit	Other
100	Contact us	Contact us

ELECTRICAL CHARACTERISTICS

Impedance		50	Ω
Frequency		0-18	GHz
VSWR	* +	0,000	x F(GHz) Maxi
Insertion loss		**	√F(GHz) dB Maxi
RF leakage	- (NA	- F(GHz) dB Maxi
Voltage rating		225	Veff Maxi
Dielectric withstanding voltage		500	Veff mini
Insulation resistance		1000	MΩ mini

MECHANICAL CHARACTERISTICS

Center contact retention			
Axial force – Mating End		0.5	N mini
Axial force – Opposite end		0.5	N mini
Torque		NA	N.cm mini
Recommended torque			
Mating		NA	N.cm
Panel nut		NA	N.cm
Mating life		50	Cycles mini
Nominal Weight (Add +15% for max weight)		0,250	g

ENVIRONMENTAL

Operating temperature	-55/+125	°C
Hermetic seal	NA	Atm.cm3/s
Panel leakage		

SPECIFICATION

OTHER CHARACTERISTICS

Assembly instruction:

Others:

***VSWR: 1.3max DC-12GHz**

***VSWR: 1.55 max -->18GHz**

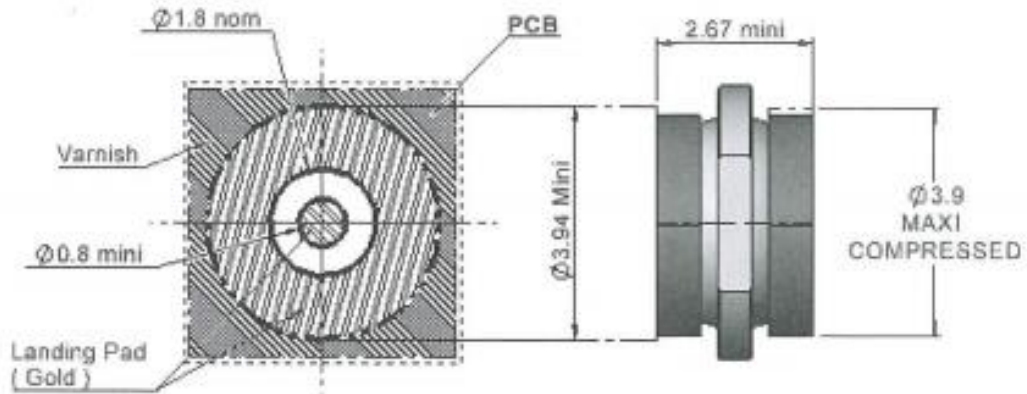
****0.25dB max at 18Ghz**

PAGE 3/3

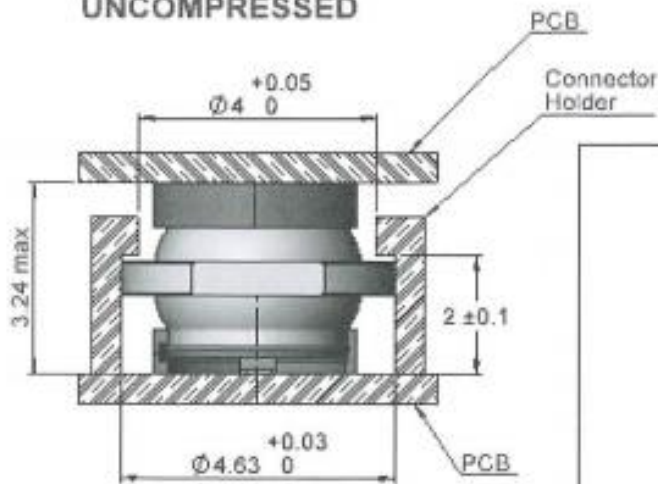
ISSUE
13-09-21A

SERIES IMP

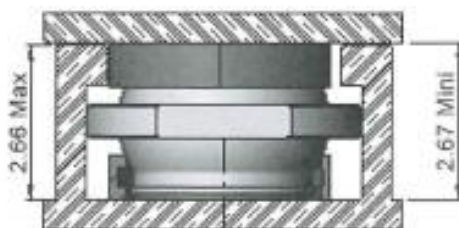
PART NUMBER R107803030



UNCOMPRESSED



COMPRESSED



UNCOMPRESSED

