

Customer Information Sheet

DRAWING No.: S4171-XX

SHEET 2 OF 2

IF IN DOUBT - ASK

(C)

NOT TO SCALE

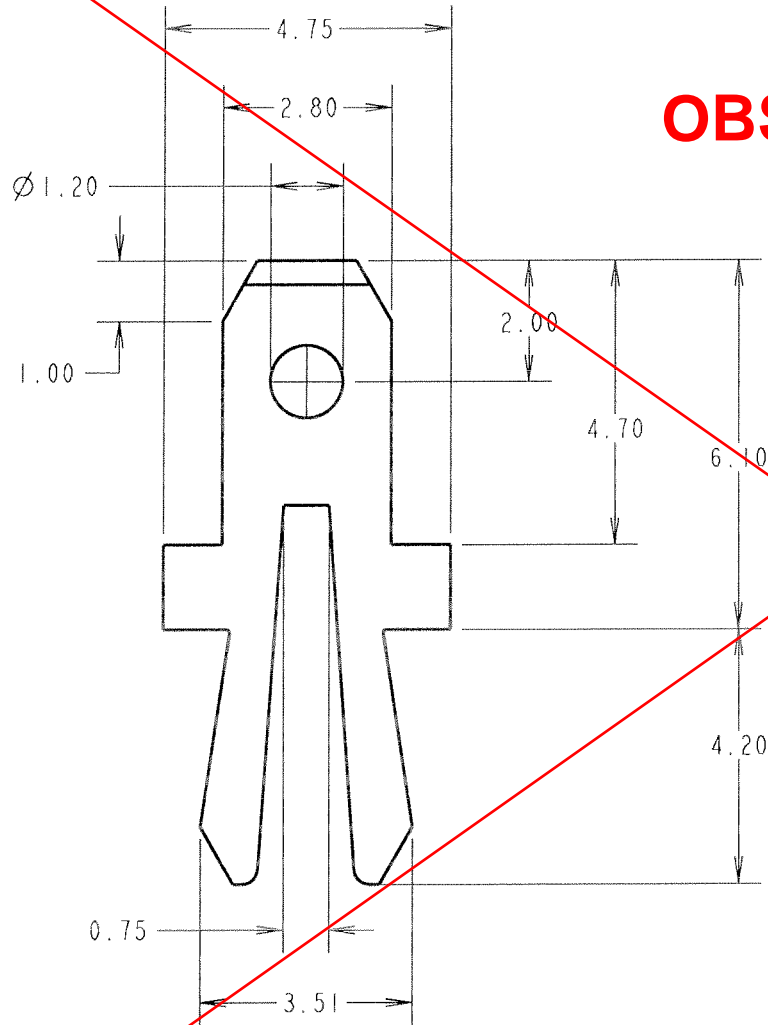
THIRD ANGLE PROJECTION

ALL DIMENSIONS IN mm

NOTES:

1. PRODUCT IS PACKED IN QUANTITIES OF 1K.
2. RECOMMENDED MOUNTING HOLE SIZE = 2.80 x 1.00.

OBSOLETE



OPTIONAL TAIL FORM:
FORM MAY BE MODIFIED
TO SUIT TOOLMAKER'S
REQUIREMENTS



ORDER CODE:

S4171-XX

FINISH:
06 = TIN/LEAD
46 = 100% TIN

RA	7	22.06.07	9801
NAME	ISS.	DATE	C/NOTE
APPROVED: <i>[Signature]</i>			
CHECKED: <i>[Signature]</i>			
DRAWN: W. J. BOURNE			
CUSTOMER REF.:			
ASSEMBLY DRG:			

HARWIN

THIS DRAWING AND ANY INFORMATION OR DESCRIPTIVE MATTER SET OUT HEREON ARE CONFIDENTIAL AND COPYRIGHT PROPERTY OF THE HARWIN GROUP AND MUST NOT BE DISCLOSED, LOANED, COPIED OR USED FOR MANUFACTURING, TENDERING OR FOR ANY OTHER PURPOSE WITHOUT THEIR WRITTEN PERMISSION.

TOLERANCES
X. = ±1mm
X.X = ±0.25mm
X.XX = ±0.10mm
X.XXX = ±0.01mm
ANGLES = ±5°
UNLESS STATED

MATERIAL:
BRASS CW508L H150 TO
BS EN 1652 (CuZn37 HARD)
FINISH: SEE TABLE
S/AREA: mm²

TITLE:
2.8mm VERTICAL FISH-TAIL
TAB TERMINAL (LOOSE)
DRAWING NUMBER:
S4171-XX

HARWIN USA TEL: 603 893 5376 FAX: 603 893 5396 mis@harwin.com	HARWIN Europe (UK) TEL: 023 9231 4545 FAX: 023 9231 4590 mis@harwin.co.uk	HARWIN Asia TEL: +65 6 779 4909 FAX: +65 6 779 3868 mis@harwin.com.sg
--	--	--

SHT
2 OF 2