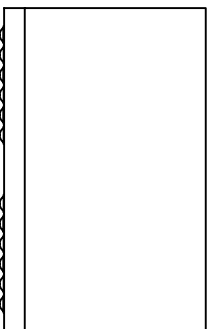
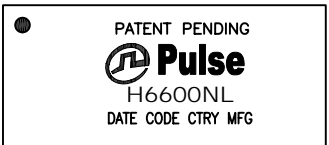


NOTES:

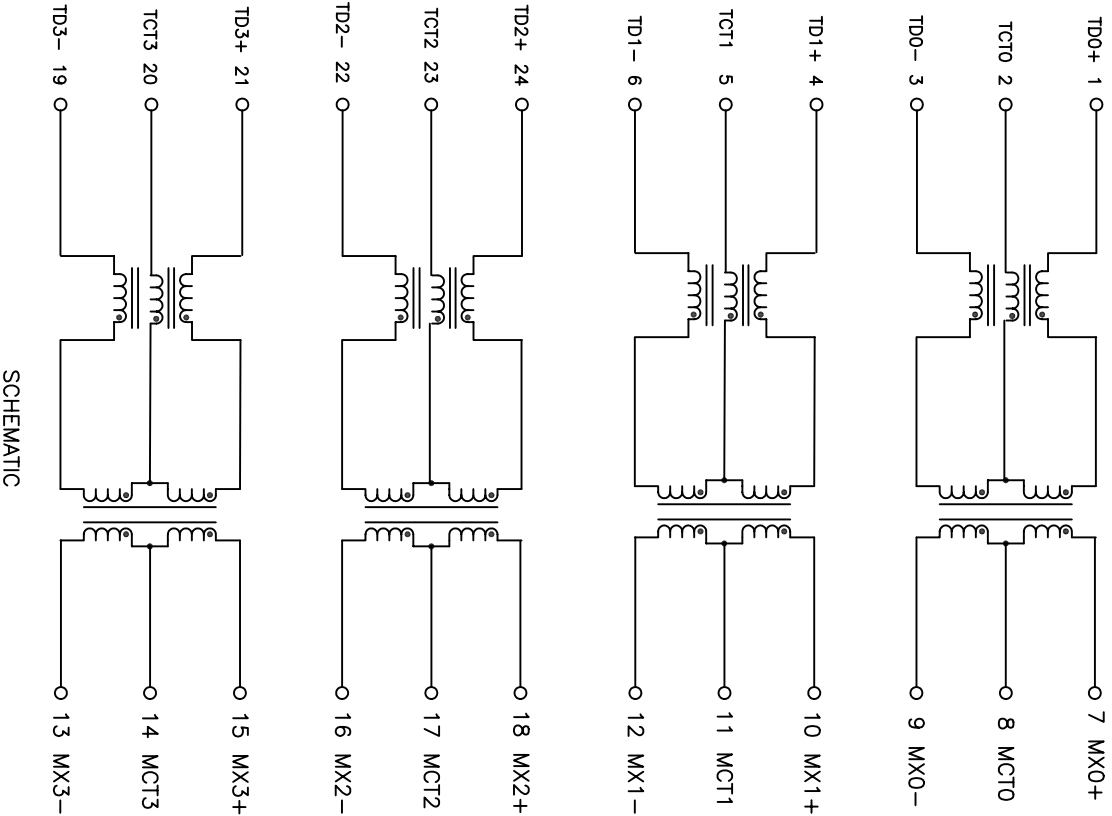
1. ROHS COMPLIANT
2. HEADER: DAP (DIALLYL PHTHALATE) WITH FLAMMABILITY RATING UL 94V-0 OR BETTER.
3. STORAGE TEMPERATURE: -20°C TO +125°C
4. COMPLIANCE TO J-STD:
 - A. J-STD-002: SOLDERABILITY AT 245°C REFLOW PROFILE
 - B. J-STD-020: LEVEL 1, NO MOISTURE SENSITIVE
 - C. J-STD-075: R7, 245°C MAXIMUM THROUGH REFLOW SOLDER
5. TO ORDER TAPE & REEL PACKAGING ADD A "T" SUFFIX TO THE PART NUMBER (i.e H6600NL BECOMES H6600NLT).



FINAL OUTLINE

@ Copyright, 2014. Pulse Electronics Corp. All rights reserved. Pulse confidential & proprietary. (05/22/14)

PRODUCT DESCRIPTION	TLA DRAWING	PS DRAWING	SHEET	PART NO.	DATASHEET REV.
MDL,SIN,1GPP,1:1,SMT,TY	H6600NL-11	PS-2435,004-A	1 OF 3	H6600NL	A



SCHEMATIC

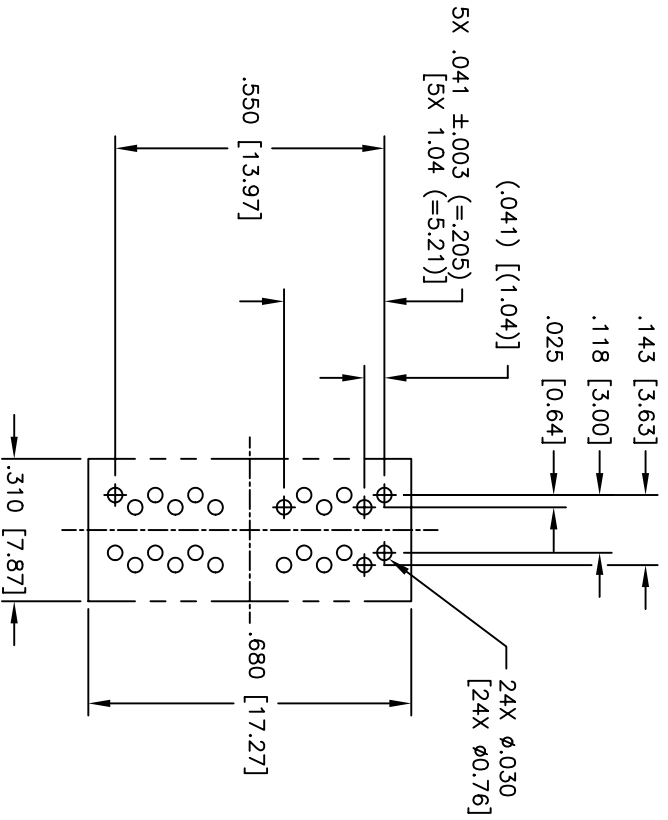
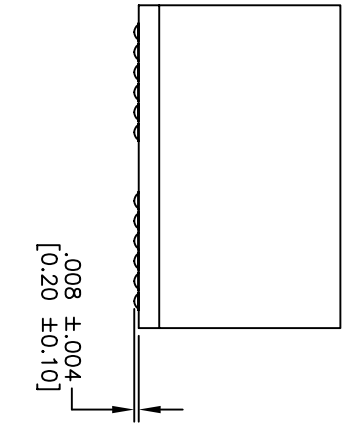
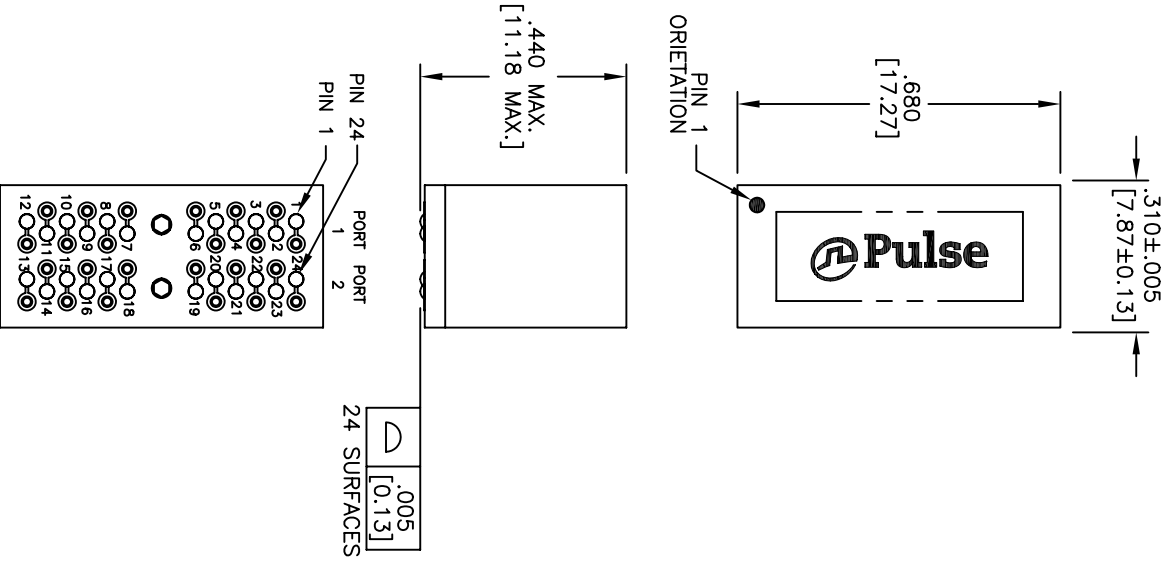
ELECTRICAL CHARACTERISTICS AT +25°C UNLESS OTHER SPECIFIED
MEETS IEEE 802.3 SPECIFICATION

PARAMETER	SPECIFICATIONS
OPERATING TEMP	0°C – 70 °C
TURNS RATIO	1 : 1 ±2%
POLARITY	PER SCHEMATIC
INSERTION LOSS	100 KHZ -1.2 DB MAX PER SCHEMATIC 1-125 MHZ
RETURN LOSS	-16 DB MIN -10+20*LOG ₁₀ (f/80 MHZ) DB MINIMUM 40-100 MHZ
INDUCTANCE (OCL) (MEDIA SIDE, 0°C-70°C)	120 uH MIN (MEASURED AT 100 KHZ, 100 mV _{RMS}) (AND WITH 18.3 mA DC BIAS)
CROSSTALK, ADJACENT CHANNELS	1 MHZ -50 DB MIN 10-100 MHZ
COMMON MODE REJECTION RATIO	2 MHZ -55+22*LOG ₁₀ (f/10) DB MINIMUM 30-200 MHZ
DC RESISTANCE, 1/2 WINDING	.65 OHMS MAXIMUM
DC RESISTANCE IMBALANCE	±.065 OHMS MAXIMUM (CENTER TAP SYMMETRY)
DC CURRENT/VOLTAGE RATING – PSE PINS	600 mA MAX @ 57V (CONTINUOUS)
INPUT – OUTPUT ISOLATION	1500 VRMS MINIMUM AT 60 SECONDS

NOTE: f IS FREQUENCY IN MHZ.

© Copyright, 2014, Pulse Electronics Corp. All rights reserved. Pulse confidential & proprietary. (05/22/14)

PRODUCT DESCRIPTION	TLA DRAWING	PS DRAWING	SHEET	PART NO.	DATASHEET REV.
MDL,SIN,1GPP,1:1,SMT,TY	H6600NL-11	PS-2435,004-A	2 OF 3	H6600NL	A



SUGGESTED PCB LAYOUT

© Copyright, 2014, Pulse Electronics Corp. All rights reserved. Pulse confidential & proprietary. (05/22/14)

PRODUCT DESCRIPTION	TLA DRAWING	PS DRAWING	SHEET	PART NO.	DATASHEET REV.
MDL,SIN,1GPP,1:1,SMT,TY	H6600NL-11	PS-2435.004-A	3 OF 3	H6600NL	A

E-MAIL: PRODINFONETWORK@PULSEELECTRONICS.COM(US), ASIA@PULSEELECTRONICS.COM(Asia) PHONE: USA:855 674 8100, GERMANY:49 7032 78060, SINGAPORE:65 6287 8998, SHANGHAI:86 21 62787060, TAIWAN:886 3 4356788