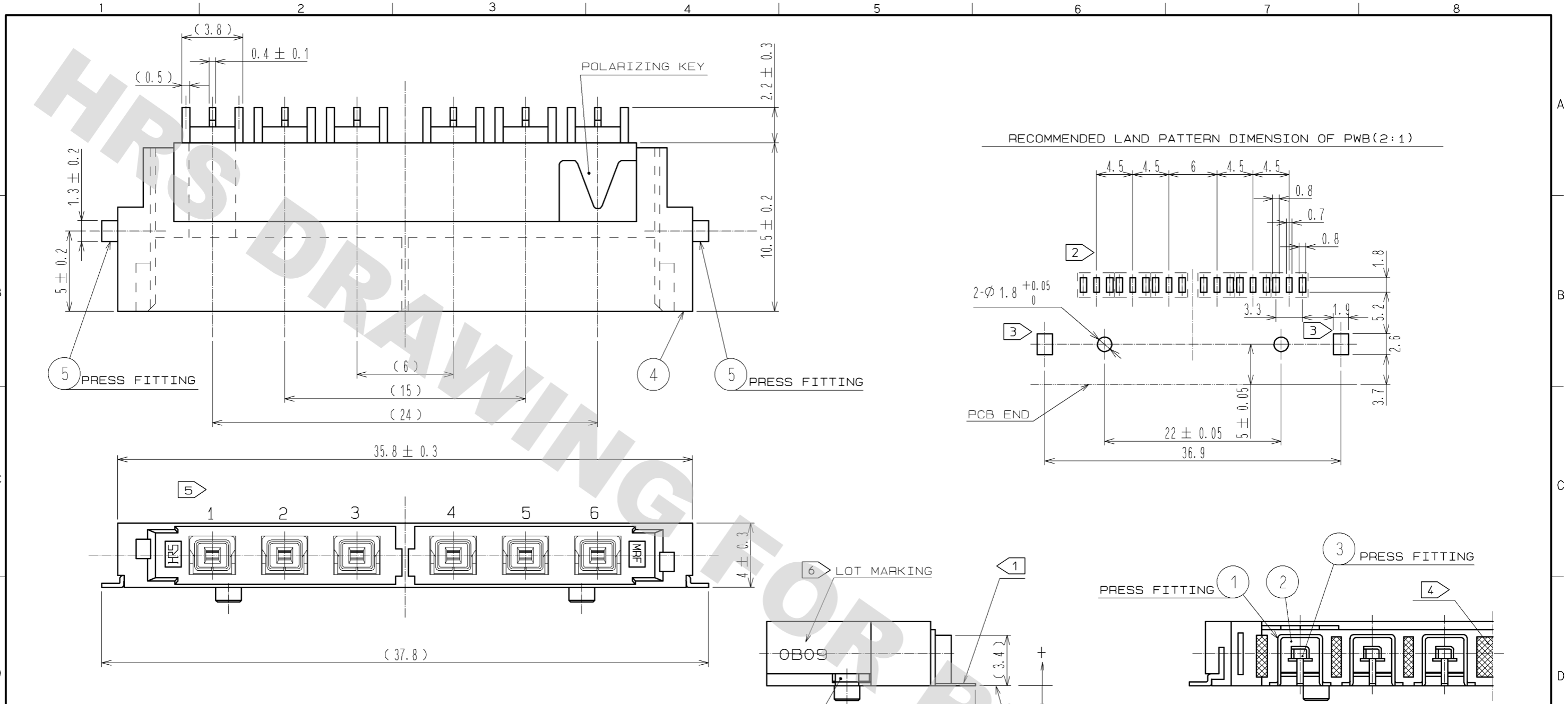
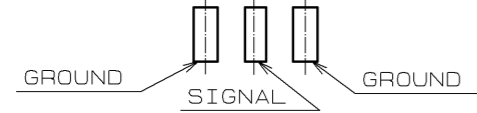


DRAWING FOR REFERENCE: This is subject to change without notice  
08/11/2012



- NOTES
- 1 CO-PLANARITY OF LEAD AND METAL FITTINGS SHALL BE  $0_{-0.15}^0$  FROM BOARD SURFACE.
  - 2 GROUND-SIGNAL-GROUND IN [ ] IS ONE SET.

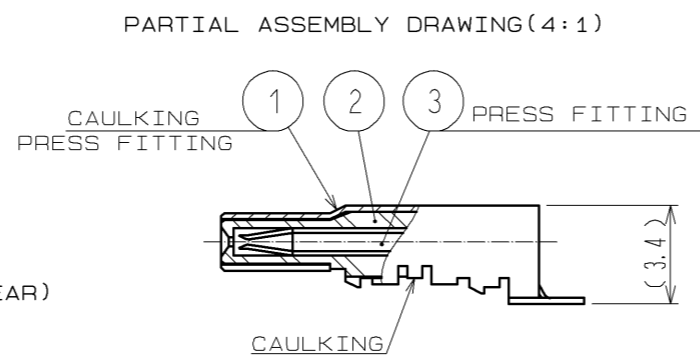


- 3 THESE TWO PARTS ARE SOLDERED ON METAL FITTINGS, NOT FOR SIGNAL AND GROUND.
- 4 THIS AREA (XXXX) IS FOR PREVENTIVE HOLE FOR SINK MARK.
- 5 CONTACT NO. INDICATED IS NOT MARKED ON THE CONNECTOR.
- 6 A LOT MARKING TO BE INDICATED AT THE POSITION SHOWN.

OB09  
 O SYMBOL INDICATING DAY  
 B SYMBOL INDICATING MONTH (TABLE-1)  
 9 SYMBOL INDICATING YEAR  
 (BOTTOM 1 FIGURES OF DOMINICAL YEAR)

TABLE-1

JAN.	FEB.	MAR.	APR.	MAY	JUN	JUL.	AUG.	SEP.	OCT.	NOV.	DEC.
A	B	C	D	E	F	G	H	I	J	K	L



2	POLYAMIDE	BLACK·UL94HB	5	BRASS	GOLD PLATING 0.05#		
1	PHOSPHOR BRONZE	UNDERPLATING·NICKEL PLATING 1# DIP AREA·GOLD PLATING 0.05# CONTACT AREA·NICKEL PLATING 1#	4	PPS	BLACK·UL94V-0		
			3	PHOSPHOR BRONZE	UNDERPLATING·NICKEL PLATING 1# DIP AREA·GOLD PLATING 0.05# CONTACT AREA·GOLD PLATING 0.3#		
NO.	MATERIAL	FINISH . REMARKS	NO.	MATERIAL	FINISH . REMARKS		
UNITS	mm	SCALE 4:1	COUNT	DESCRIPTION OF REVISIONS	DESIGNED	CHECKED	DATE
APPROVED : MH. YAMANE		10.02.16	DRAWING NO.		EDC3-131534-40		
CHECKED : TS. NOBE		10.02.15	PART NO.		MRF03-6R-SMT-2(40)		
DESIGNED : HS. TAKEUCHI		10.02.15	CODE NO.		CL313-1007-6-40		
DRAWN : KS. TAKAHASHI		10.02.15					