

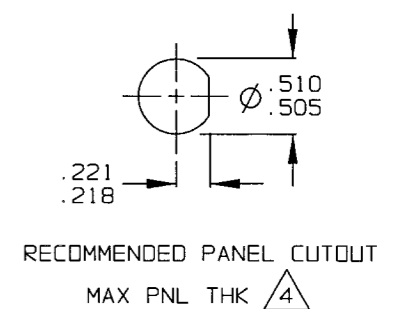
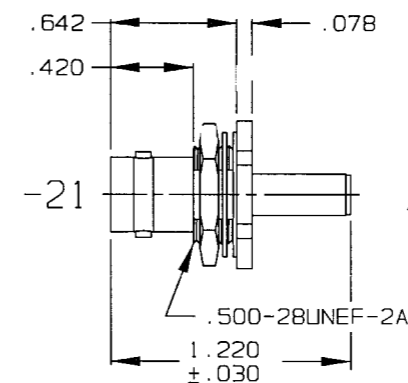
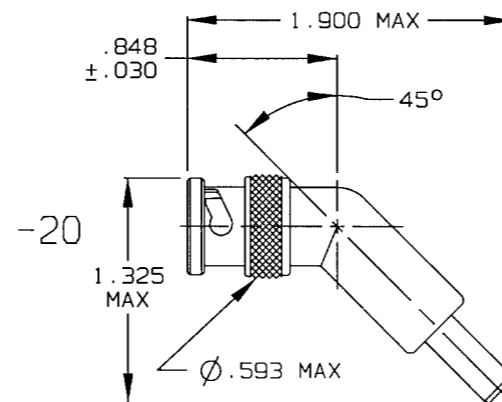
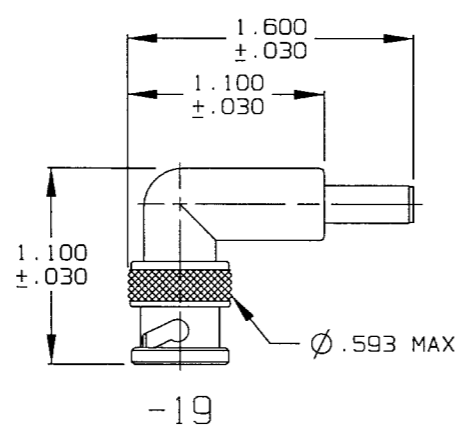
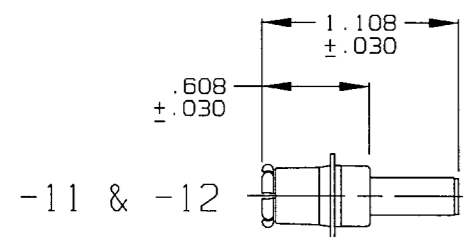
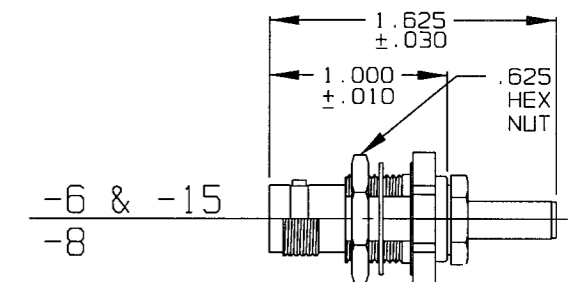
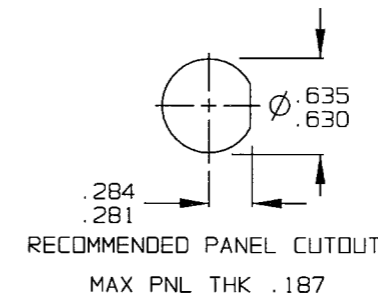
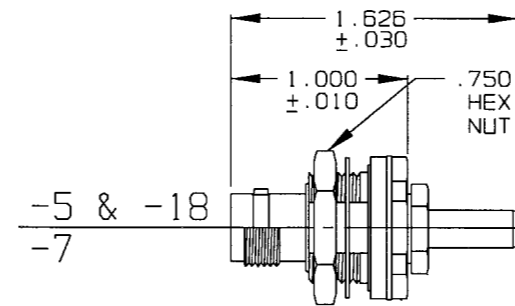
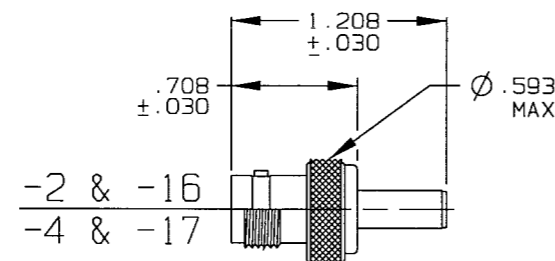
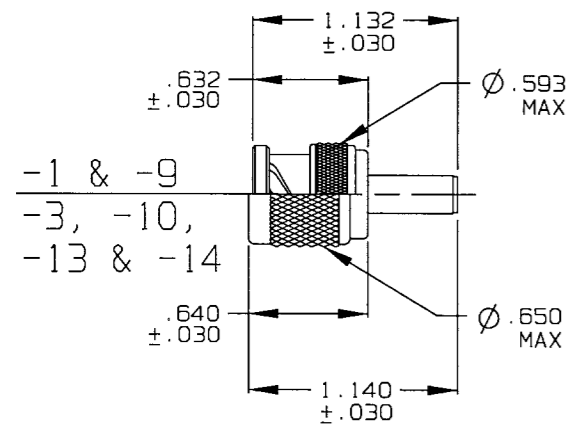
TABLE 1				
DASH NO	CONN TYPE	IMPD (OHMS)	MATERIAL $\triangle 3$	ASSEMBLE PER
-1	PL220	50	1-0442-011	TAI-A118
-2	CJ220		1-0443-011	
-3	PL240		1-0446-011	
-4	CJ240		1-0445-011	
-5	BJ226		1-0472-011	TAI-123
-6	BJ229		1-0473-011	
-7	BJ246		1-0046-011	
-8	BJ249		1-0047-011	
-9	UPL220	75	1-0468-011	TAI-D118
-10	UPL240		1-0041-011	
-11	PL223	50	1-0009-011	TAI-A118
-12	UPL223	75	1-0050-011	TAI-D118
-13	PL240S	50	1-0446-011	TAI-A118
-14	UPL240S	75	1-0041-011	TAI-D118
-15	UBJ229		1-0488-011	TAI-123
-16	UCJ220		1-0494-011	TAI-D118
-17	UCJ240		1-0496-011	
-18	UBJ226		1-0489-011	
-19	UPLR220		1-0504-011	TAI-221
-20	UPLFF220		1-0517-011	TAI-223
-21	UBJ220		1-0515-011	TAI-D118

CENTER CONTACT CRIMP TOOLING			
CONTACT TYPE	MILITARY 8 POINT INDENTER	COMMERCIAL HEX	COMMERCIAL 8 POINT INDENTER
50 OHM PIN	M22520/1-01 BASIC TOOL WITH TURRET HEAD SELECTOR NO. 6	TEI CT4L BASIC TOOL WITH TEI C03-1 DIE, CLOSURE C (.068 HEX)	N/A
50 OHM SOCKET	M22520/1-01 BASIC TOOL WITH TURRET HEAD SELECTOR NO. 6	TEI CT4L BASIC TOOL WITH TEI C03-1 DIE, CLOSURE C (.068 HEX)	N/A
75 OHM PIN	N/A	TEI CT4L BASIC TOOL WITH TEI C03-1 DIE, CLOSURE D (.042 HEX)	TEI 010-0097 8 PT 010-0098 12 PT
75 OHM SOCKET	N/A	TEI CT4L BASIC TOOL WITH TEI C03-1 DIE, CLOSURE D (.042 HEX)	TEI 010-0088

DATA CONTAINED IN THIS DOCUMENT IS PROPRIETARY TO TROMPETER ELECTRONICS INC. AND SHALL NOT BE DISCLOSED, COPIED OR USED FOR PROCUREMENT OR MANUFACTURE WITHOUT EXPRESS WRITTEN PERMISSION OF TROMPETER ELECTRONICS INC.

REVISIONS		105-1316	SH 1C
REV	DESCRIPTION	DATE	APPROVED
A	REVISED PER ECO #14056	6-7-91	[Signature]

CRIMP SLEEVE TOOLING		
CONNECTOR TYPE	MILITARY HEX	COMMERCIAL HEX
50 OR 75 OHM CONNECTORS	M22520/5-01 BASIC TOOL WITH M22520/5-05 DIE, CLOSURE A (.213 HEX)	TEI CT4L BASIC TOOL WITH TEI C03-1 DIE, CLOSURE A (.213 HEX)



2. EXAMPLE OF COMPLETE PART NO:  
105-1316 - 1  
BASIC PART NO. DASH NO (SEE TABLE 1)

1. 50 & 75 OHM FULL CRIMP COAXIAL BNC/TNC CABLE PLUGS/ RECEPTACLE/INSULATED & NONINSULATED BULKHEAD MOUNT CABLE RECEPTACLE/PUSH-ON PLUG & 75 OHM BNC/TNC/PUSH-ON FULL CRIMP COAXIAL CABLE PLUG FOR BELDEN 89907 CABLE

$\triangle 3$  REPLACE CRIMP SLEEVE 8-1613-3 WITH CRIMP SLEEVE 105-1316-101

INTERPRET DRAWING PER MIL-STD-100 DIMENSIONS ARE IN INCHES AND INCLUDE FINISH THICKNESS UNLESS OTHERWISE SPECIFIED		TOL: UNLESS SPECIFIED .XX .XXX ±.005 .XXXX	
DRAWN R L DATE 6/5/01		MATERIAL:	
CHECKED [Signature] DATE 6/6/01		FINISH: TFS-1A (NICKEL)	
APPROVED [Signature]		DO NOT SCALE DWG	
CAD FILE NO. 105-1316A1		SCALE NONE	

**TROMPETER**  
ELECTRONICS, INC.

TITLE: 220/240 SERIES-89907

SIZE <b>B</b>	CAGE CODE <b>14949</b>	DRAWING NO. 105-1316	REV. A
SCALE NONE	DATE: 9/10/90	SHEET 1C	