

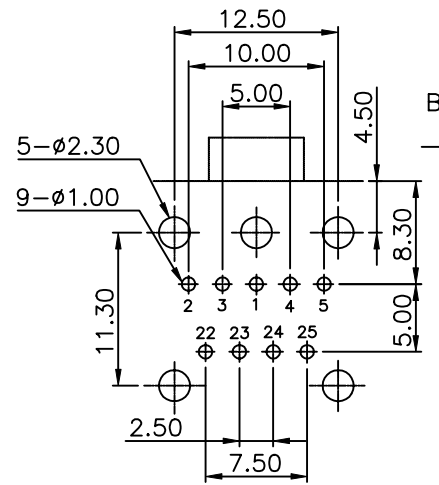
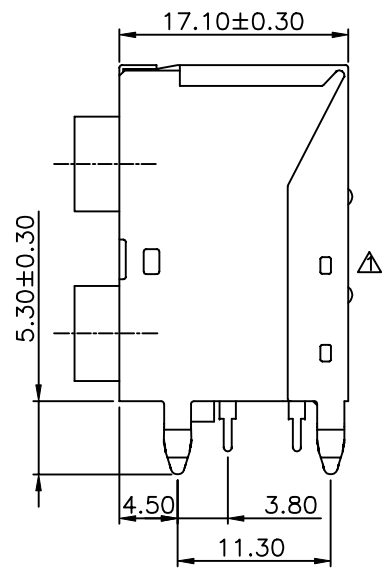
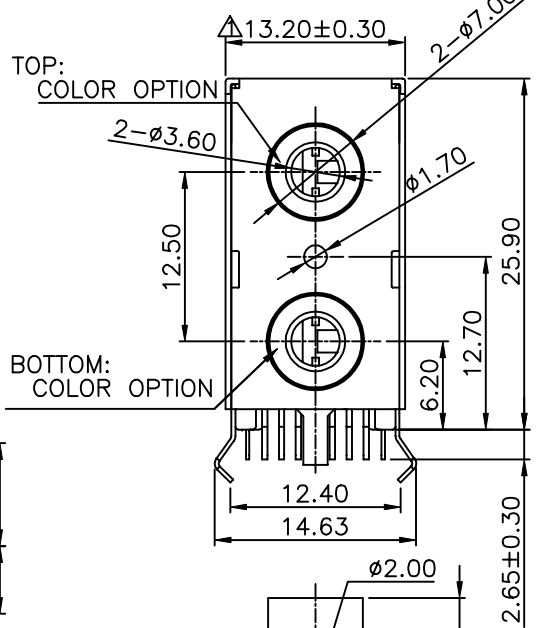
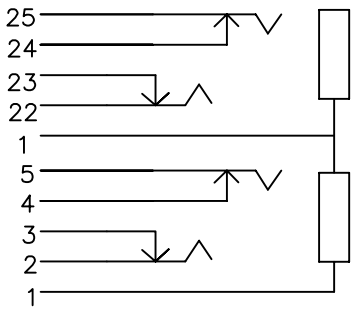
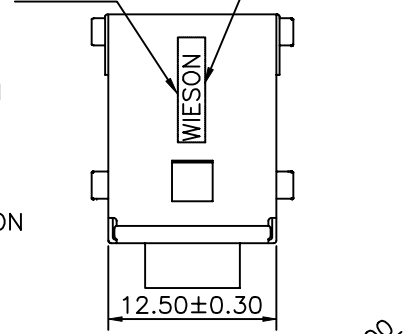
7286 SERIES F-SHLD 2 STACKED EARPHONE JACK

REV	DATE	DESCRIPTION	ECN NO.	NAME
A	04.02.12	NEW RELEASE		PETER
B	05.10.06	△ MODIFICATION	CECR05001115	LJXIA

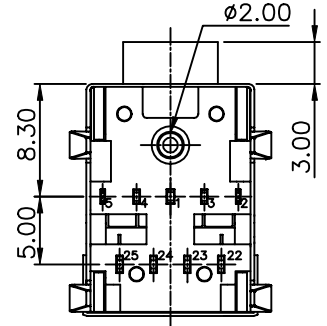
MATERIAL:

HOUSING:THERMOPLASTIC (UL94V-0)
 HOUSING COLOR:SEE ORDER INFORMATION
 COVER:THERMOPLASTIC (UL94V-0)
 COVER COLOR:BLACK
 TERMINAL:COPPER ALLOY
 TERMINAL PLATING:SEE ORDER INFORMATION
 FRONT SHIELD:COPPER ALLOY,Ni PLATED
 BACK SHIELD:COPPER ALLOY,Sn PLATED

LOGO OPTION
 PRINT MARK



RECOMMENDED P.C.BOARD HOLE LAYOUT (TOP VIEW)



ORDER INFORMATION

* 7286 - 02 ** **

00:W/O WIESON
 01:WITH WIESON

01:1u" min. Au PLATED (SELECTIVE GOLD)
 TOP:LIME(577C~578C),
 BOTTOM:PINK(700C~701C).
 02:1u" min. Au PLATED (SELECTIVE GOLD)
 TOP:LIME(577C~578C),
 BOTTOM:LIGHT BLUE(283C~284C)
 03:1u" min. Au PLATED (SELECTIVE GOLD)
 TOP:BLACK(426C),
 BOTTOM:BLACK(426C)
 04:1u" min. Au PLATED (SELECTIVE GOLD)
 TOP:GREEN,BOTTOM:BLUE
 05:1u" min. Au PLATED (SELECTIVE GOLD)
 TOP:PINK(700C701C),
 BOTTOM:ORANGE

" "NORMAL PRODUCT
 "G"GREEN PRODUCT

NOTE:P.C.B LAYOUT TOLERANCE:±0.05mm

GENERAL TOLERANCE ± 0.25 mm GENERAL ANGLE TOLERANCE ±3°	WIESON TECHNOLOGIES CO., LTD WIESON		PART NO.: *7286-02****	
	DRAWN BY	PETER(WSC)	DRAWING NO.	*7286-02****
	CHECKED BY	JIMMY	DRAWING SIZE	A4
	APPROVED BY	JERRY	UNIT	mm
	SORTING NO.	P1014(WSC)	PAGE	1 OF 1

ISSUED

[ARTICLE:044033 V4]