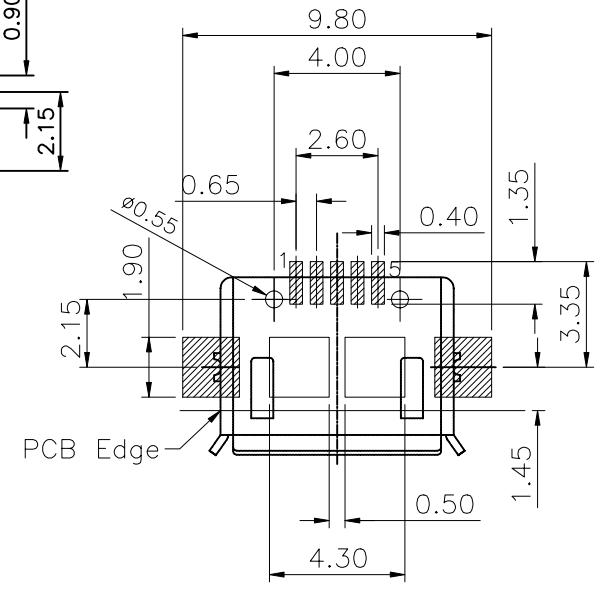
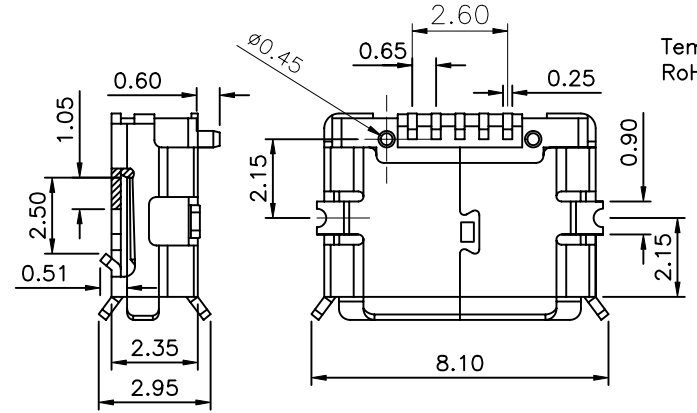
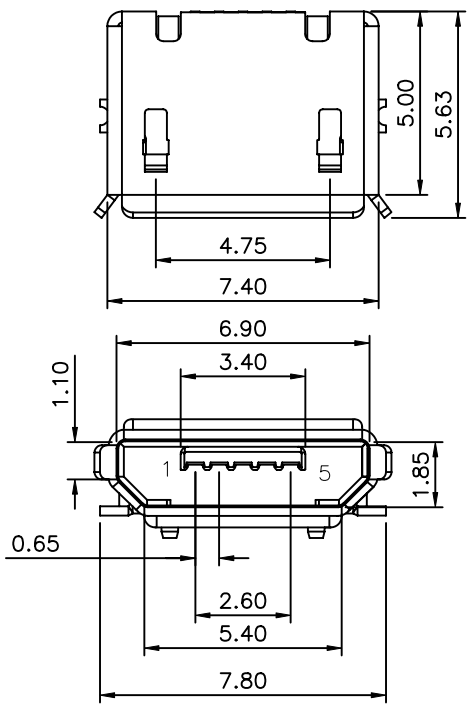
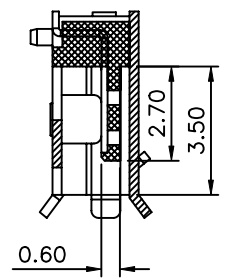


**SPECIFICATION**  
 Current Rating:1A Max.  
 Dielectric Withstanding Voltage:100V(AC) For 1 Minute  
 Contact Resistance:50Milliohms Max.  
 Insulation Resistance:100Megohms Min.  
 Total Mating Force:3.57kgf Max.  
 Total Unmating Force:1.0kgf Min.  
 0.81~2.05kgf Min.  
 After 10000 Insertion/Extraction Cycles  
 Temperature Range:-30°C~80°C  
 RoHS Compliant



Recommended PCB Layout

3	Housing	LCP	1	Color:Black,UL94V-0
2	Shell	Brass	1	Nickel Plated
1	Terminal	Brass	5	Gold Plated $\Delta$
No	Name	Material	Q'ty	Finish

**AUK** A MEMBER OF AUK GROUP  
**太聯事業股份有限公司**  
**AUK CONTRACTORS CO., LTD.**

CATEGORY		APPROVED BY		UNLESS OTHERWISE SPECIFIED TOLERANCES ARE .X $\pm 0.25$ .XX $\pm 0.15$ .XXX $\pm 0.05$ ANG: $\pm 2.00^\circ$				
PART No. $\Delta$ MCSB5BSW-H		MEI			$\Delta$ A2	Modify Finish & Tol.	HZF	11/10/2008
DRAWING No. MCSB5BSW-H		HZF			$\Delta$ A1	Modify P/N:	HZF	10/06/2008
SCALE		REV.		PEGA	$\Delta$ A0	NEW RELEASE	HZF	10/11/2007
SCALE	NONE	REV.	A2	UNIT mm	NO.REV.	REVISIONS	CHK	DATE