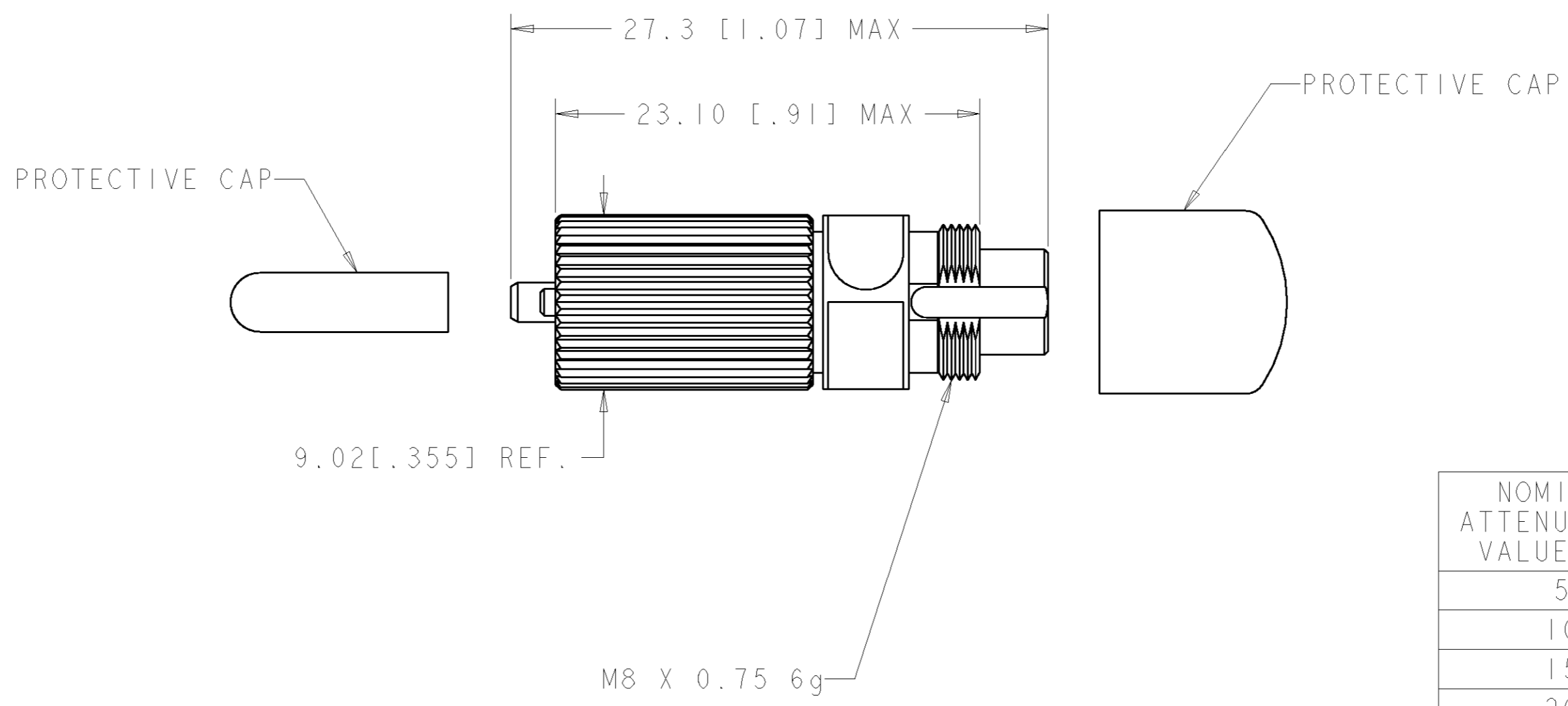
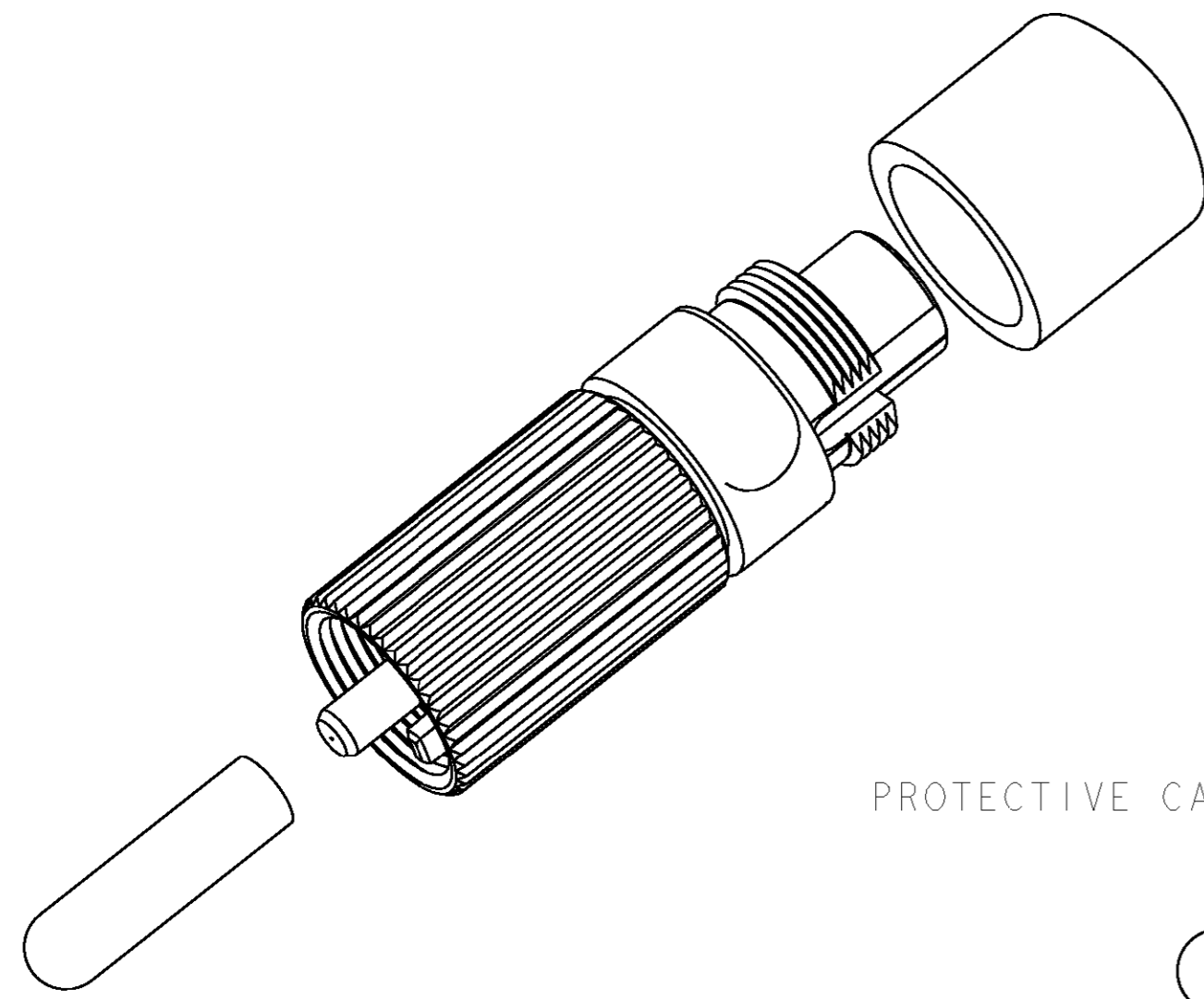


THIS DRAWING IS UNPUBLISHED. RELEASED FOR PUBLICATION 20
 © COPYRIGHT 20 BY TYCO ELECTRONICS CORPORATION. ALL RIGHTS RESERVED.

LOC	DIST	REVISIONS					
		P	LTR	DESCRIPTION	DATE	DWN	APVD
CE	16		C	REV PER ECN OUDO-0101-01	27FEB2001	JAB	SM
			D	REV PER 0A10-0113-01	18SEP2001	JAB	CB
			E	REL PER EC 0A00-0867-02	1-20-03	LGE	CB
			F	REL PER EC 0A00-0610-04	23NOV04	LGE	PD



NOMINAL ATTENUATION VALUE (dB)	PART NUMBER
5	209570-5
10	1-209570-0
15	1-209570-5
20	2-209570-0
25	2-209570-5

PERFORMANCE REQUIREMENTS:
 OPERATING WAVELENGTH : 1310/1550 ±25nm
 REFLECTANCE : ≤ -45dB
 OPERATING TEMPERATURE : -40°C TO +75°C
 ATTENUATION TOLERANCE, AMBIENT :
 FOR ATTENUATORS ≥ 5dB : ±15% OF NOMINAL ATTENUATION VALUE
 FOR ATTENUATORS < 5dB : ± 0.75dB
 MEASURED WITH REFERENCE QUALITY LAUNCH LEADS

<small>THIS DRAWING IS A CONTROLLED DOCUMENT FOR TYCO ELECTRONICS CORPORATION. IT IS SUBJECT TO CHANGE AND THE CONTROLLING ENGINEERING ORGANIZATION SHOULD BE CONTACTED FOR THE LATEST REVISION.</small>		DWN J.A. Baker 14FEB2001 CHK S. MILLER 14FEB2001 APVD J. HIMES 14FEB2001	AMP Tyco Electronics Harrisburg, PA 17105-3608
DIMENSIONS: mm [INCHES]	TOLERANCES UNLESS OTHERWISE SPECIFIED: 0 PLC ±- 1 PLC ±1.0 2 PLC ±0.38 3 PLC ±- 4 PLC ±- ANGLES ±2 FINISH -	NAME ATTENUATOR, OPTICAL, BUILD-OUT, SM D4 / PC, DUAL WINDOW PRODUCT SPEC - APPLICATION SPEC - WEIGHT -	SIZE A2 CAGE CODE 00779 DRAWING NO. 209570 RESTRICTED TO - SCALE 4:1 SHEET 1 OF 1 REV F
MATERIAL -		CUSTOMER DRAWING	