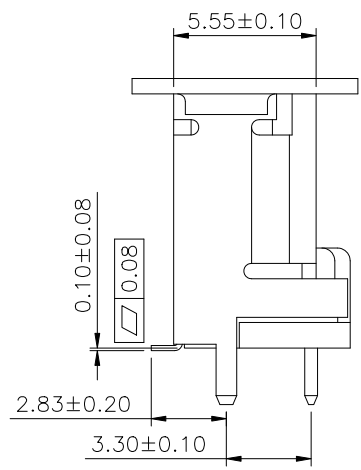
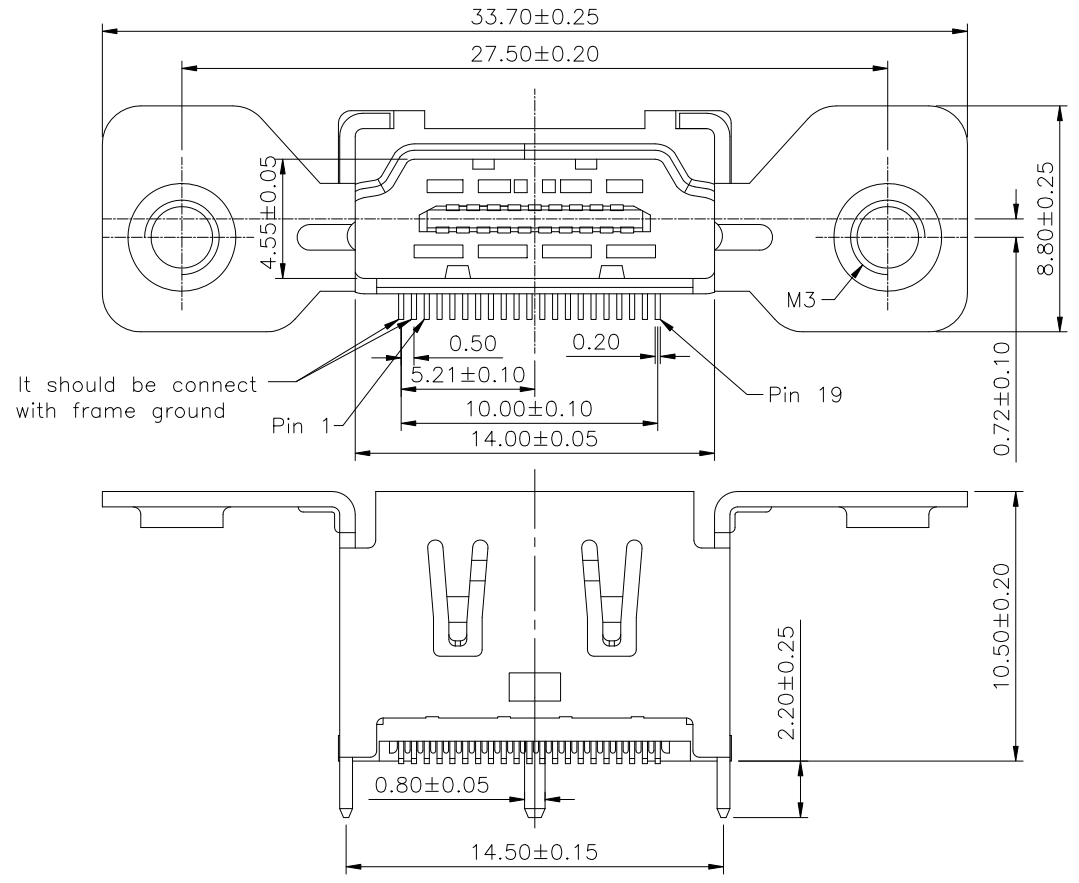
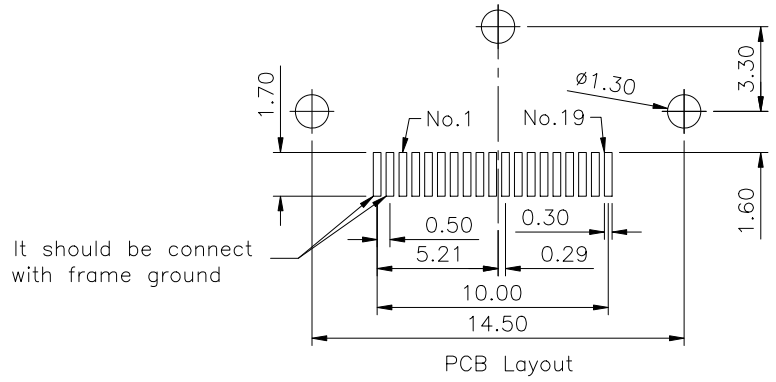


SPECIFICATIONS

- Current Rating: 0.5A
- Voltage Rating: 40V
- Contact Resistance: 30 Milliohms Max.
- Insulation Resistance:
 - Unmated: 100 Megohms Min. At 500 VDC
 - Mated: 10 Megohms Min. At 150 V DC
- Dielectric Withstanding Voltage: 300V AC/1Minute
- Operating Temperature: -20°C~+85°C
- Storage Temperature: -20°C~+65°C
- Operation/Storage Humidity: 95% Or Less
- Insertion Force: 44.1N(Max)
- Extraction Force: 9.8N(Min) 39.2N(Max)
- Mating Cycle: 5000 Cycles
- Contact Pull Out Force: 5.9N/Pin(Min)
- Housing: Glass Filled Heat-Resisted Resin UL94V-0
- Terminal: Copper Alloy. 0.2T Gold Flash
- Shield: Copper Alloy 0.5T
- Shell Plating: Nickel Plated



AUK A MEMBER OF AUK GROUP
太聯事業股份有限公司
AUK CONTRACTORS CO., LTD.

CATEGORY		APPROVED BY		UNLESS OTHERWISE SPECIFIED TOLERANCES ARE .X ±0.25 .XX ±0.13 ANG ±3°					
PART No.		MEI							
DRAWING No.		HZF							
HDM19SV-3-P2		PEGA							
SCALE	NONE	REV.	A2	UNIT mm					
					NO.	REV.	REVISIONS	CHK	DATE
					A2	Modify Part No.		INGRID	05/05/2008
					A1	HDM19SV-P2-2 → HDM19SV-P2-3		SHIN	05/11/2007
					A0	NEW RELEASE		HZF	10/04/2006