



Raychem

TE Internal #: 8253693001

Hook Up Wire, Spec 99M, 600V Voltage Rating, Yellow with Green Stripe Wire Color, 14AWG Wire Size, 2.08mm² Wire Size

[View on TE.com >](#)

Wire & Cable > Hook Up Wire



Cable Type: **Spec 99M**

Voltage Rating: **600 V**

Wire Color: **Yellow with Green Stripe**

Insulation Material: **Radiation-Crosslinked, Modified Polyester**

Conductor Material: **Tin-Plated Copper**

Features

Product Type Features

Product Type	Cable
Product Classification	Cable - Spec 99 & 100
Cable Style	Primary
Cable Type	Spec 99M

Configuration Features

Number of Conductors	1
Number of Strands	37

Electrical Characteristics

Voltage Rating	600 V
----------------	-------

Body Features

Wire Color	Yellow with Green Stripe
Insulation Material	Radiation-Crosslinked, Modified Polyester
Conductor Material	Tin-Plated Copper

Dimensions

Wire Diameter	2.16 mm[.085 in]
Overall Outside Diameter	2.35 mm[.0926 in]
Conductor Diameter	1.79 mm[.07 in]
Cable Insulation Thickness	.2 mm[.008 in]



Strand Size	31 AWG
Wire Size	2.08 mm ²

Usage Conditions

Operating Temperature Range	-65 – 125 °C
-----------------------------	--------------

Other

Wire Source	United Kingdom
-------------	----------------

Product Compliance

[For compliance documentation, visit the product page on TE.com>](#)

EU RoHS Directive 2011/65/EU	Compliant
EU ELV Directive 2000/53/EC	Compliant
China RoHS 2 Directive MIIT Order No 32, 2016	No Restricted Materials Above Threshold
EU REACH Regulation (EC) No. 1907/2006	Current ECHA Candidate List: JUN 2020 (209) Candidate List Declared Against: JUN 2020 (209) Does not contain REACH SVHC
Halogen Content	Out of Scope - excluded from Halogen requirements
Solder Process Capability	Not applicable for solder process capability

Product Compliance Disclaimer

This information is provided based on reasonable inquiry of our suppliers and represents our current actual knowledge based on the information they provided. This information is subject to change. The part numbers that TE has identified as EU RoHS compliant have a maximum concentration of 0.1% by weight in homogenous materials for lead, hexavalent chromium, mercury, PBB, PBDE, DBP, BBP, DEHP, DIBP, and 0.01% for cadmium, or qualify for an exemption to these limits as defined in the Annexes of Directive 2011/65/EU (RoHS2). Finished electrical and electronic equipment products will be CE marked as required by Directive 2011/65/EU. Components may not be CE marked. Additionally, the part numbers that TE has identified as EU ELV compliant have a maximum concentration of 0.1% by weight in homogenous materials for lead, hexavalent chromium, and mercury, and 0.01% for cadmium, or qualify for an exemption to these limits as defined in the Annexes of Directive 2000/53/EC (ELV). Regarding the REACH Regulation, the information TE provides on SVHC in articles for this part number is based on the latest European Chemicals Agency (ECHA) 'Guidance on requirements for substances in articles' posted at this URL: <https://echa.europa.eu/guidance-documents/guidance-on-reach>

Compatible Parts

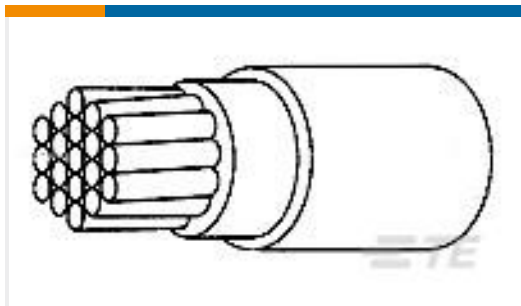


TE Model / Part # 650076-000
D-436-38

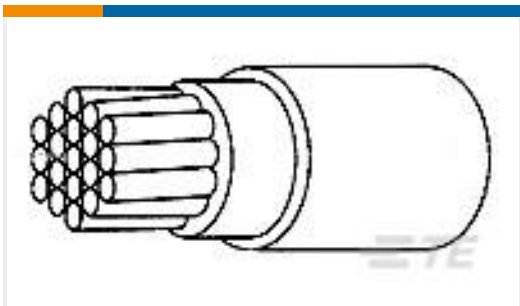
Customers Also Bought



TE Model / Part #514445-000
101A073-100-G02/86-0



TE Model / Part #8421293001
99M0111-16-8



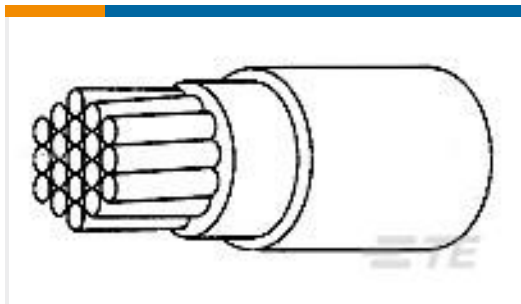
TE Model / Part #3150093001
99M0111-12-3



TE Model / Part #CQ89083001
99M0111-14-92



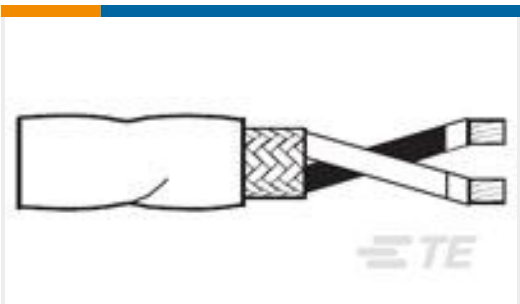
TE Model / Part #CQ89093001
99M0111-14-96



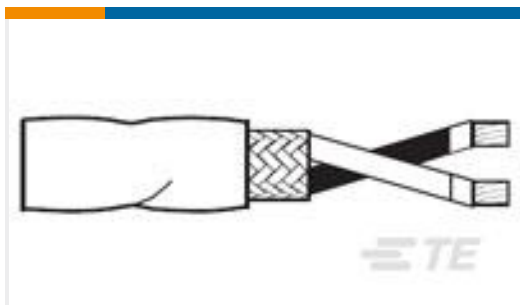
TE Model / Part #4874733001
99M0111-18-1



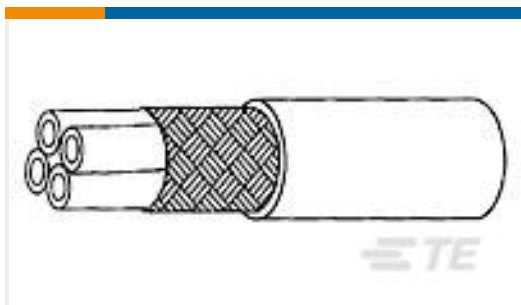
TE Model / Part #0735673001
99M0211-12-1



TE Model / Part #5348633001
99M1121-26-0/9-0



TE Model / Part #8684553001
99M1121-26-2/6-0



TE Model / Part #3693613001
99M1141-26-0/2/6/9-0

Documents

Product Drawings

[99M0111-14-45](#)

English

Datasheets & Catalog Pages

[1654025_Sec9_Type99M](#)

English

[Raychem Wire and Cable Quick Reference Guide](#)

English

99M0111-14-45

Hook Up Wire, Spec 99M, 600V Voltage Rating, Yellow with Green Stripe Wire Color,
14AWG Wire Size, 2.08mm² Wire Size

