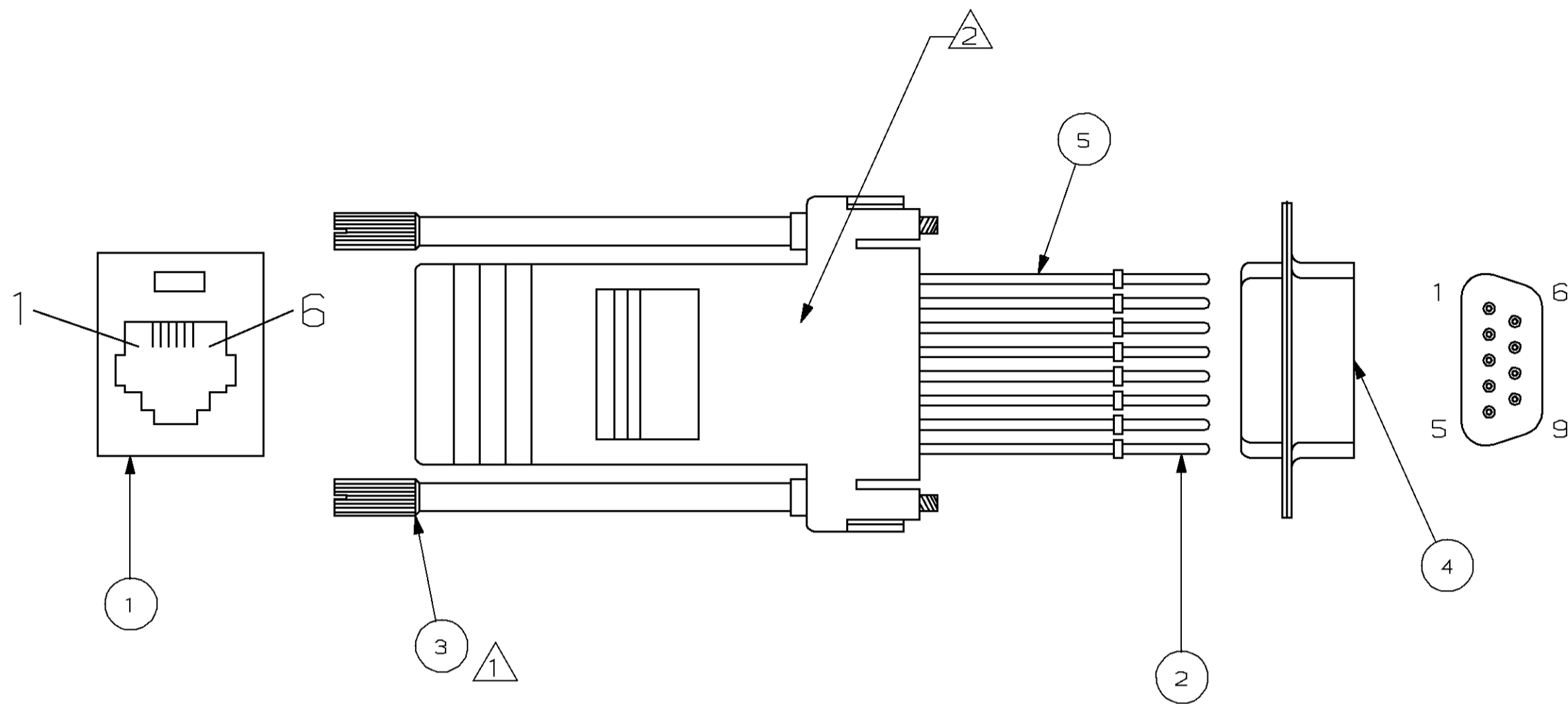


THIS DRAWING IS UNPUBLISHED. RELEASED FOR PUBLICATION
 © COPYRIGHT 19 BY AMP INCORPORATED. ALL RIGHTS RESERVED.

LOC	DIST	REVISIONS			
P	LTR	DESCRIPTION	DATE	DWN	APVD
CF	39	0	REL PER NPR	12-9-96	VEC RC



WIRING SCHEMATIC		
RJ12 POSN		WIRE COLOR
1		BLUE
2		YELLOW
3		GREEN
4		RED
5		BLACK
6		WHITE

- 1 THUMBSCREWS MUST EXTEND BEYOND THE END OF THE RJ12 JACK.
- 2 ADAPTER MUST BE LIGHT GREY.
- 3. PART COMES UNASSEMBLED (2 PCS) IN ZIPLOCK POLYBAG, LABEL ON POLYBAG TO READ AS FOLLOWS:

621838-1
RJ12/DB9F MODULAR ADAPTER
- 4. THIS PRODUCT IS PRODUCED IN COMPLIANCE WITH ANSI/ASQC Z1.4-1993, TO AN INSPECTION LEVEL III, WITH A NORMAL SAMPLING PLAN.

PART NO.
621838-1

LEADWIRE	5
CONNECTOR, DB9, FEMALE	4
THUMBSCREWS, SLOTTED, #4-40	3
CONTACT, DB9, CRIMP TYPE, FEMALE	2
CONNECTOR, RJ12, MODULAR JACK	1
DESCRIPTION	ITEM NO.

THIS DRAWING IS A CONTROLLED DOCUMENT.		DWN V. COLLER 12-9-96	AMP Incorporated Harrisburg, PA 17105-3608															
DIMENSIONS: INCHES		CHK D. WILSON 12-9-96	AMP AMP															
TOLERANCES UNLESS OTHERWISE SPECIFIED:		APVD R. CAPP 12-11-96																
<table border="0"> <tr><td>0 PLC</td><td>±-</td></tr> <tr><td>1 PLC</td><td>±-</td></tr> <tr><td>2 PLC</td><td>±-</td></tr> <tr><td>3 PLC</td><td>±-</td></tr> <tr><td>4 PLC</td><td>±-</td></tr> <tr><td>ANGLES</td><td>±-</td></tr> <tr><td>FINISH</td><td>-</td></tr> </table>		0 PLC	±-	1 PLC	±-	2 PLC	±-	3 PLC	±-	4 PLC	±-	ANGLES	±-	FINISH	-	PRODUCT SPEC -	NAME MODULAR ADAPTER, RJ12 TO DB9F	
0 PLC	±-																	
1 PLC	±-																	
2 PLC	±-																	
3 PLC	±-																	
4 PLC	±-																	
ANGLES	±-																	
FINISH	-																	
MATERIAL -		APPLICATION SPEC -	SIZE A2	CAGE CODE 00779														
		WEIGHT -	DRAWING NO 621838	RESTRICTED TO -														
CUSTOMER DRAWING			SCALE NTS	SHEET 1 OF 1														
			REV 0															

- [Home](#)
- [Part Number Search](#)
- [Text Search](#)
- [Alternate Part Search](#)
- [Multiple Part Comparison](#)
- [Alphabetical Search](#)
- [Brand Search](#)
- [Industry Product Search](#)
- [Product Type Search](#)
- [Product Family Search](#)
- [Competitor Cross Reference](#)
- [Document Number Search](#)
- [Lead Free Solutions](#)
- [Help/Glossary](#)

Current Brand View	AMP	View All Tyco Electronics Brands Click to activate links to all other products
---------------------------	------------	---

Cable Assemblies and Interface Devices
Gender Changers, Adapters, and Power Cords

AMP **621838-1** -- 1 of 3 products [Active](#) [Active](#)
(Tyco Electronics P/N: 621838-1)

Next	Sales Information	Step Search Screen
Related Documents	General Information	
Pricing	Product Availability	

Please use the customer drawing for all design activity.

- **Customer Drawing: 621838, Rev. O**
 Document Title: MODULAR ADAPTER, RJ12 TO DB9F
[182935.pdf](#) [182935.pdf](#) (28K)

The photographs and/or line drawings below are representative images of a product for viewing purposes only.

[Product Photo](#)

Searchable Features:	
Brand:	AMP
Product Type:	Modular Adapter
Gender Changer/Adapter Type:	RJ12/DB9 Female

Other Properties:	
Packaging Method:	Poly Bag

[Copyright](#) and [Privacy Statement](#)

Visit [Tyco International, Ltd.](#)