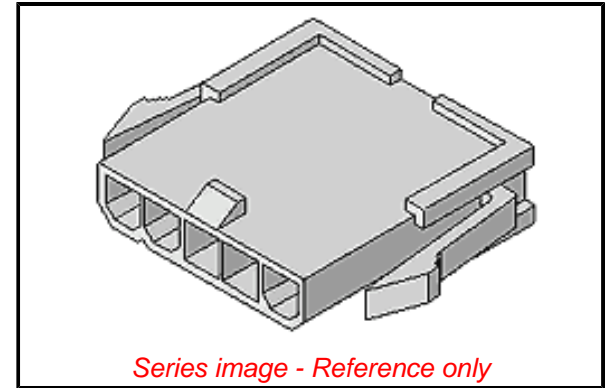


PLEASE CHECK WWW.MOLEX.COM FOR LATEST PART INFORMATION

Part Number: [0039014053](#)
Status: **Active**
Overview: [Mini-Fit Jr. Power Connectors](#)
Description: Mini-Fit Jr. Plug Housing, Single Row, 5 Circuits, UL 94V-0, with Panel Mounting Ears, Natural

Documents:

3D Model	Application Specification AS-5557-001-001 (PDF)
Drawing (PDF)	Packaging Specification PK-5559-003-001 (PDF)
Product Specification PS-5556-001-001 (PDF)	RoHS Certificate of Compliance (PDF)
Product Specification TS-5556-002-001 (PDF)	



Agency Certification

CSA	LR19980
UL	E29179

General

Product Family	Crimp Housings
Series	5559
Application	Power, Wire-to-Board, Wire-to-Wire
Comments	Current = 13A max. per circuit when header is mated to a receptacle loaded with 45750 series terminals crimped to 16 AWG wire. . See Molex product specification PS-45750-001 for additional current derating information.
Overview	Mini-Fit Jr. Power Connectors
Product Name	Mini-Fit Jr.
UPC	800753584129

Physical

Breakaway	No
Circuits (maximum)	5
Color - Resin	Natural
Flammability	94V-0
Gender	Plug
Glow-Wire Capable	No
Keying to Mating Part	None
Lock to Mating Part	Yes
Material - Resin	Nylon
Net Weight	2.099/g
Number of Rows	1
Packaging Type	Bag
Panel Mount	Yes
Pitch - Mating Interface	4.20mm
Pitch - Termination Interface	4.20mm
Polarized to Mating Part	Yes
Stackable	No
Temperature Range - Operating	-40° to +105°C

Electrical

Current - Maximum per Contact	13.0A
-------------------------------	-------

Solder Process Data

Lead-freeProcess Capability	N/A
-----------------------------	-----

Material Info

Engineering Number	5559-05P2-210
--------------------	---------------

EU ELV

Not Relevant

EU RoHS

Compliant

REACH SVHC

Not Contained Per - ED/61/2018 (27 June 2018)

Halogen-Free

Status

Low-Halogen

For more information, please visit [Contact US](#)

China ROHS

ELV

RoHS Phthalates

China RoHS

Green Image

Not Relevant

Not Contained

Search Parts in this Series

[5559](#) Series

Mates With

Crimp Housing [39-01-4051](#)

Use With

[5558](#) Mini-Fit Jr. Male Crimp Terminals.
[30490](#) Mini-Fit Male Grounding Crimp Terminals
 [46012](#) Mini-Fit Plus Crimp Terminal

Reference - Drawing Numbers

Application Specification

AS-5557-001-001

Packaging Specification

PK-5559-003-001

Product Specification

PS-5556-001-001, TS-5556-002-001

Sales Drawing

55590002-SD-000

This document was generated on 10/19/2018

PLEASE CHECK WWW.MOLEX.COM FOR LATEST PART INFORMATION