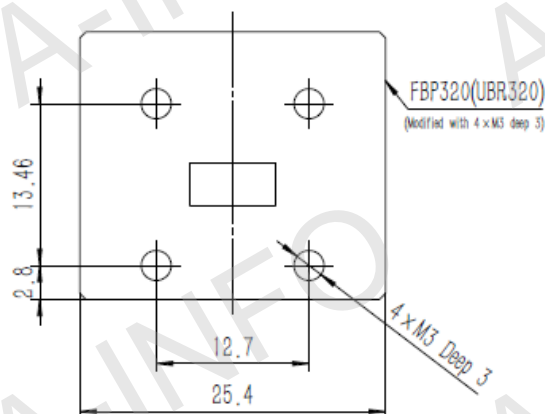
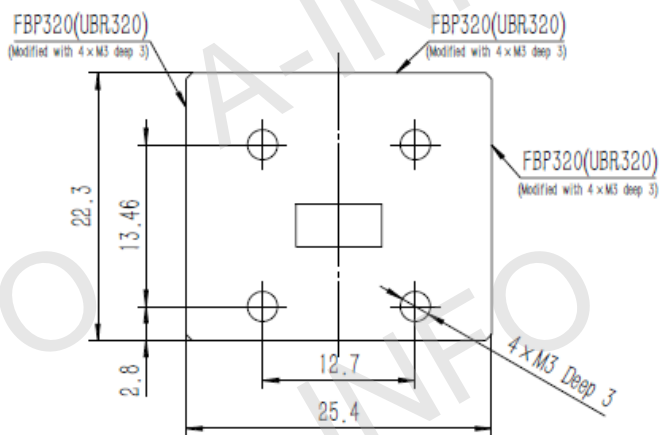
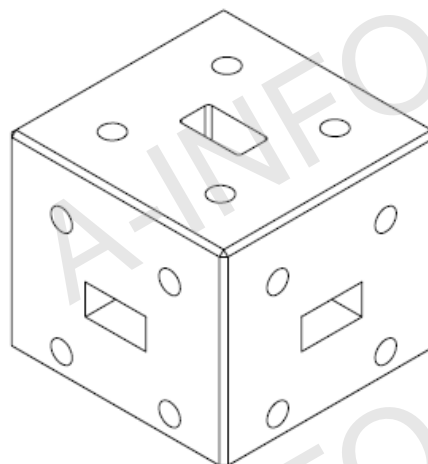
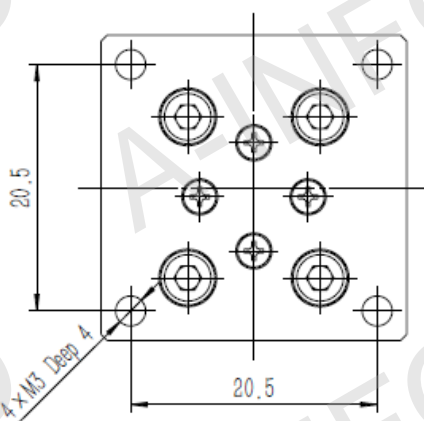


Technical Specification

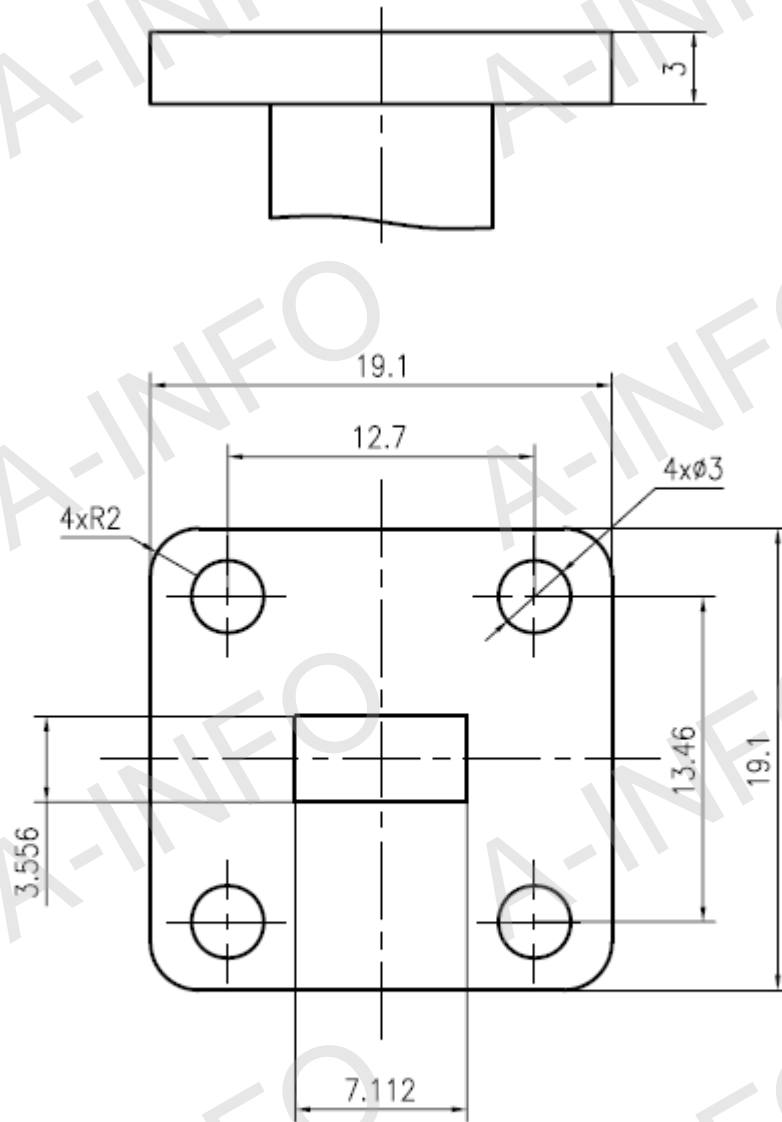


EIA WR	WR28
Frequency Range(GHz)	26.5 - 40.0
VSWR H-Plane	1.3:1 Typ.
VSWR E-Plane	1.5:1 Typ.
Unbalance(dB)	±0.4
Isolation(dB)	30
Band Width	FULL
Flange Type	FBP320(UBR320) (Modified with 4 x M3 deep 3)
Material	Cu
Size(mm)	25.4 x 22.3 x 22.3
Net Weight(Kg)	0.1 Around

Outline Drawing (Size: mm)



Flange Drawing (Size: mm)



FBP320

AINFO Inc.

Page 2 of 5

China(Beijing):
China(Chengdu):
USA :

Tel: (+86) 10-6266-7326,
Tel: (+86) 28-8519-2786,
Tel: (+1) 949-639-9688,

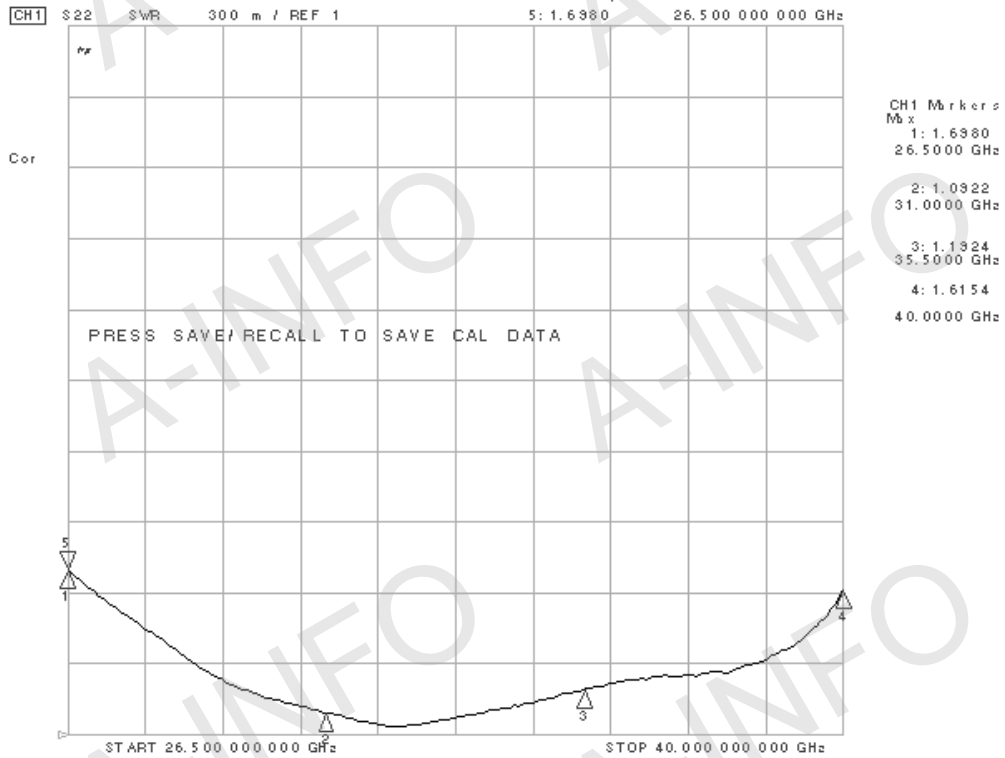
(+86) 10-6266-7327
(+86) 28-8519-3044
(+1) 949-639-9608

Fax: (+86) 10-6266-7379
Fax: (+86) 28-8519-3068
Fax: (+1) 949-639-9670

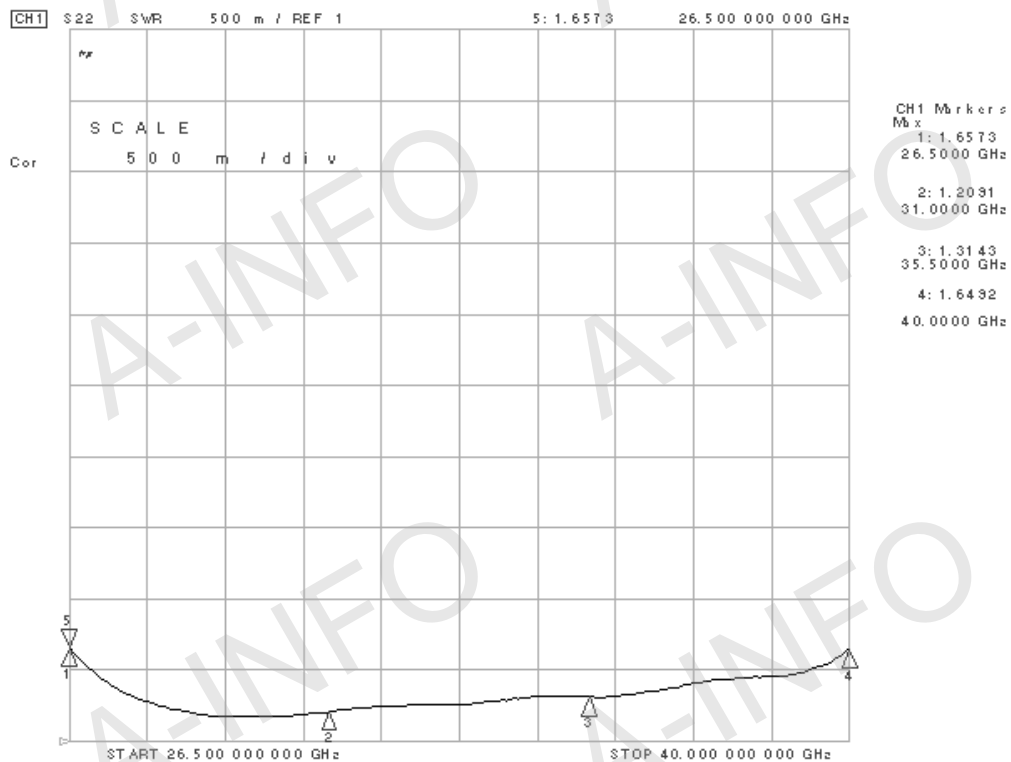
Website: www.ainfoinc.com
Email: sales@ainfoinc.com

Test Results

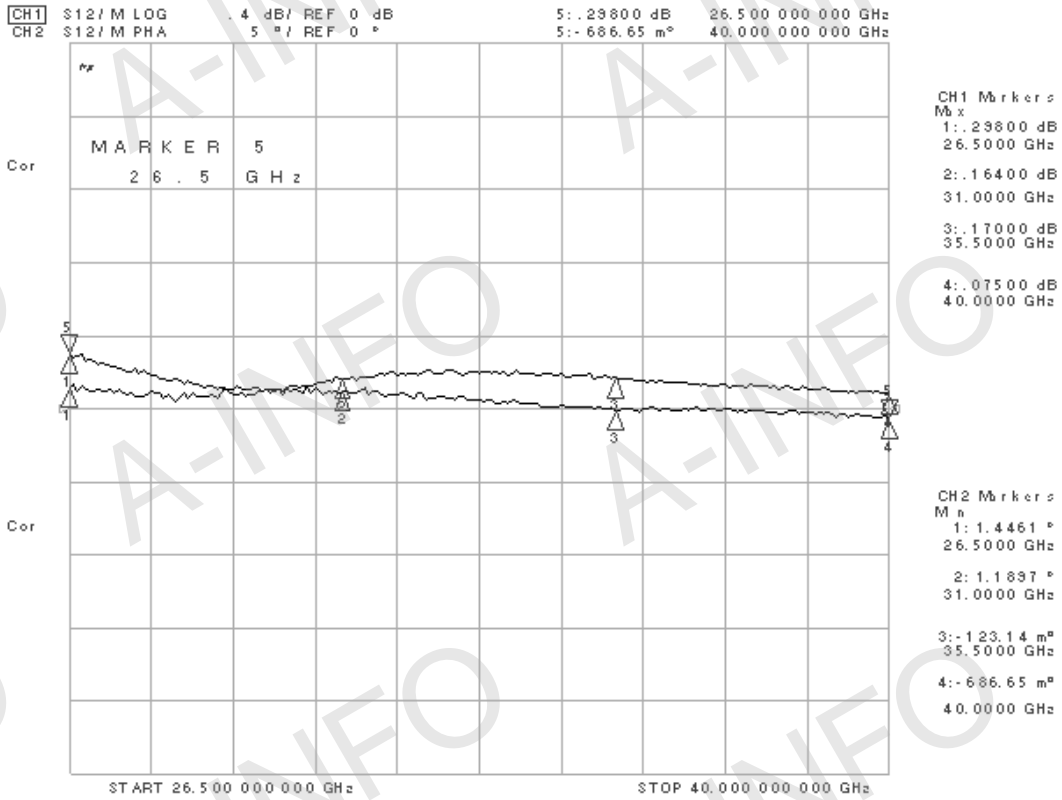
1. VSWR H-Plane



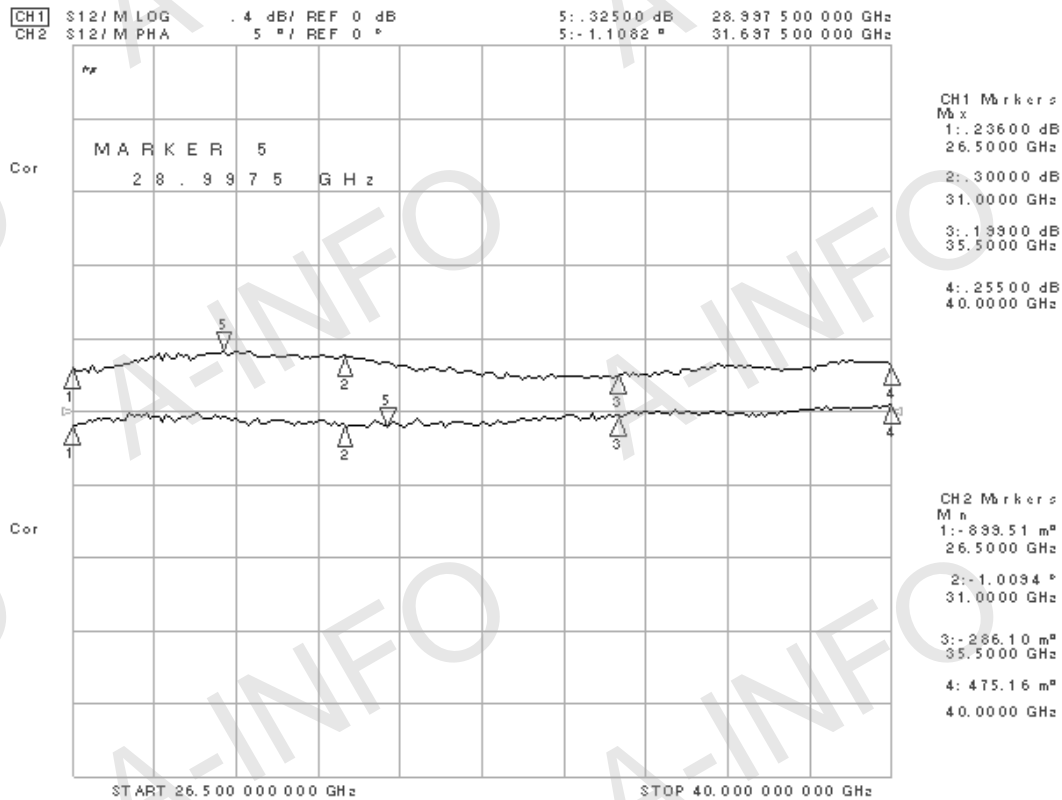
E-Plane



2. Unbalance H-Plane



E-Plane



3. Isolation

