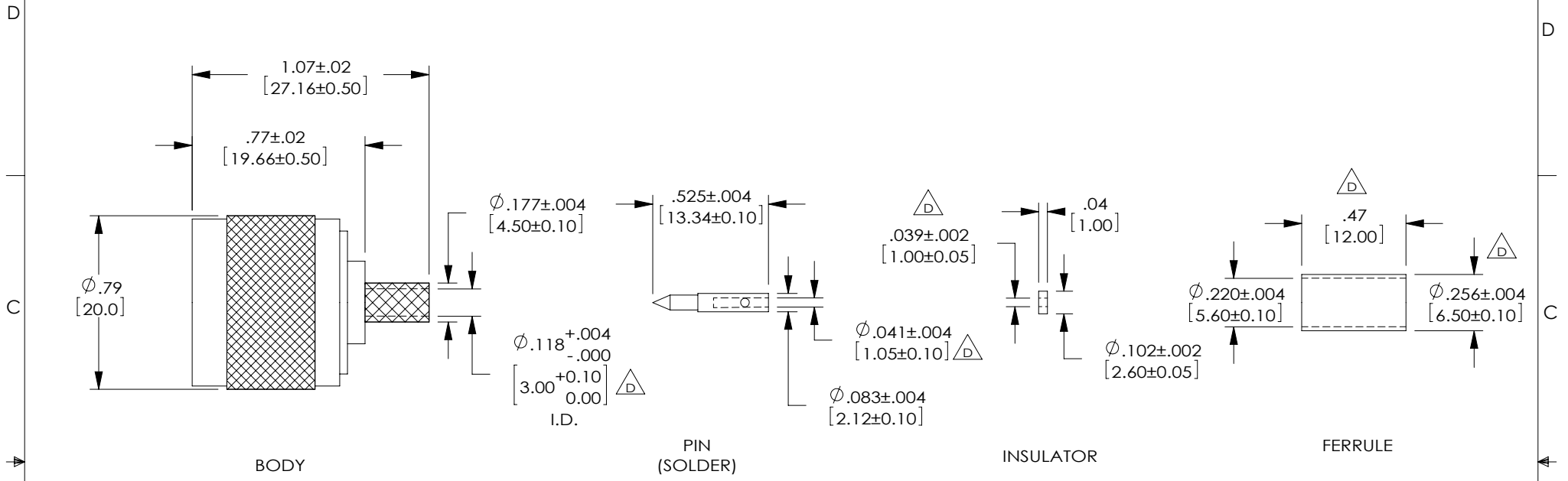


THE INFORMATION CONTAINED IN THIS DRAWING IS THE SOLE PROPERTY OF L-COM, INC. ANY REPRODUCTION IN PART OR WHOLE WITHOUT THE WRITTEN PERMISSION OF L-COM, INC. IS PROHIBITED.

REVISIONS			
REV	DESCRIPTION	DATE	APPROVED
A	INITIAL RELEASE	3/30/09	D.GRIFFIN
B	ECN 4169: REVISED DIMENSIONS AND NOTES	8/5/09	D.FRISIELLO
C	ECN6357-.124 WAS .12	08/21/12	DFP
D	ECN 8986: UPDATE DIM'S AND NOTES	11/10/17	S.LI



NOTES:

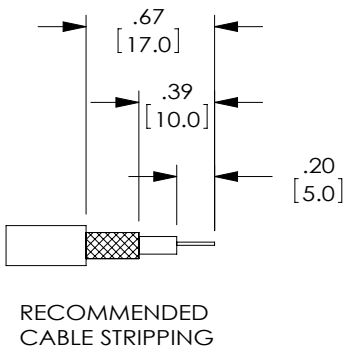
MATERIALS: $\triangle D$
 BODY: BRASS.
 CENTER PIN: BRASS.
 INSULATOR: PTFE.
 SNAP RING: PHOSPHOR BRONZE
 FERRULE: BRASS
 GASKET: MVQ

FINISH:
 BODY: NICKEL PLATING.
 CENTER PIN: GOLD PLATING.
 ALL OTHER METAL PARTS: NICKEL PLATING.

MISCELLANEOUS:
 IMPEDANCE: 50 OHMS
 APPLICATION: RG223
 MATING CYCLE: 500 MIN.
 RECOMMENDED HEX CRIMP TOOL SIZE: .213 IN [5.41mm]

ALL DIMENSIONS ARE FOR REFERENCE ONLY.
 COMPONENT SHALL BE INDIVIDUALLY PACKAGED IN ACCORDANCE WITH L-COM SPECIFICATION PS-0031.

REGULATORY COMPLIANCE:
 CE2011/65/EU(RoHS DIRECTIVE)



UNLESS OTHERWISE SPECIFIED, DIMENSIONS ARE IN INCHES [mm] OVERALL CABLE LENGTH TOLERANCE: ≤12 [305] = +1 [25] / -0 >12 [305] ≤60 [1524] = +2 [51] / -0 >60 [1524] ≤120 [3048] = +4 [102] / -0 >120 [3048] ≤300 [7620] = +6 [152] / -0 >300 [7620] = +3% / -0%	APPROVALS	DATE	L-com Global Connectivity 50 HIGH STREET NORTH ANDOVER, MA 01845
	DRAWN BY D.FRISIELLO	3/25/09	
ALL OTHER DIMENSIONAL TOLERANCES: .X = ± .2 [5.08] .XX = ± .02 [51] .XXX = ± .005 [1.27]	CHECKED BY D.CASTRO	3/25/09	CATEGORY COAXIAL
	APPROVED BY D.DOLCE	3/25/09	PRODUCT DESCRIPTION TYPE N MALE RG142/RG223/RG400
PROJECTION 	CONFIGURATION DETAILS OF UNDIMENSIONED FEATURES MAY VARY	COLOR VARIATIONS MAY OCCUR	SIZE A
			FSCM NO. 43321
			DWG. NO. BAC536
			REV. D
			SCALE: NONE
			CAD FILE: BAC536.SLDDRW
			SHEET 1 OF 1