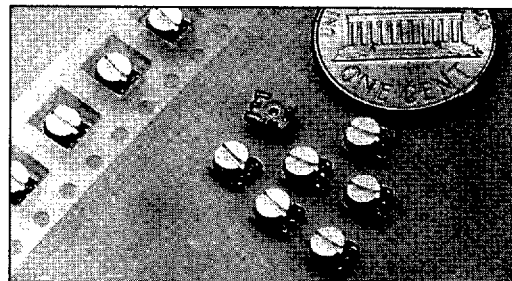


SURFACE MOUNT CHIP CERMET TRIMMER RESISTORS

FEATURES

- METAL GLAZED ON CERAMIC SUBSTRATE (CERMET)
- MINIATURE SIZING
- BOTH 2 AND 3 TERMINAL TYPES AVAILABLE
- MINUS DRIVER PLUS DRIVER AND SPECIAL TURNING TOOL ADJUSTMENT
- TAPE AND REEL PACKAGING FOR AUTOMATIC MOUNTING



SURFACE MOUNT

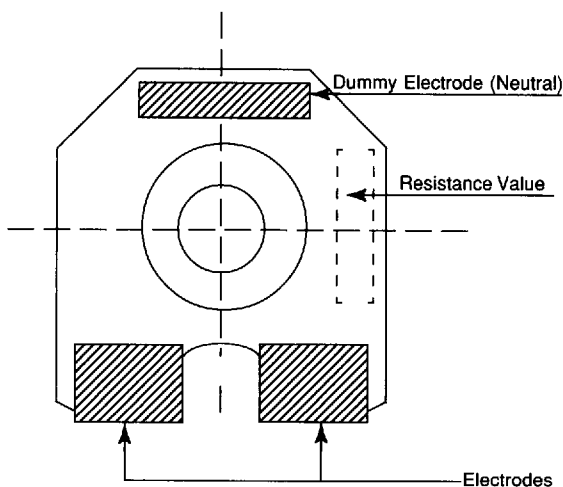
CHARACTERISTICS

| | | |
|--|--------------------------|-----------|
| Power Rating at 70°C | 0.125 W | |
| Operating Temperature Range | -40° to +100°C | |
| Rated Resistance Range | 470 ohms to 2.2 Megohms | |
| Resistance Tolerance | ±25% | |
| Resistance Curve | Linear (B Curve) | |
| Maximum Working Voltage 50V Temperature Coefficient | ±250ppm/°C ±300ppm/°C | |
| Full Rotation Angle | 270 ± 20° | |
| Rotation Torque | 20 to 200 g-cm | |
| Mechanical Life (After Following Forward and Back Turns Resistance Shall be Within ±10% of Initial Value) | 470 ~ 10KΩ | 10 Cycles |
| | 12K ~ 2.2MΩ | 25 Cycles |

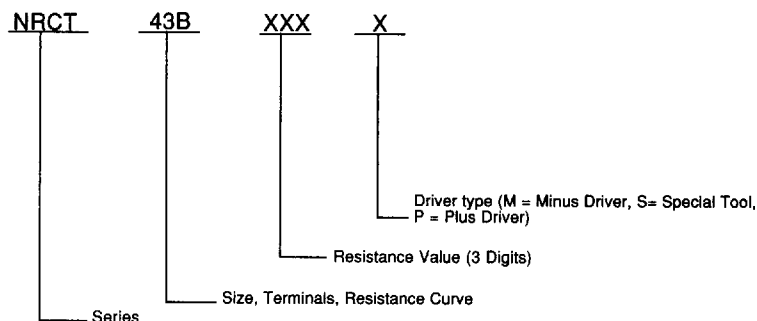
ENVIRONMENTAL TEST

| | |
|--------------------|---|
| Load Life | Resistance change shall be within ±5% after 1000 hours at 70°C with intermittent load of 1.5 hours on and .5 hours off at rated power. |
| Humidity Load Life | Resistance change shall be within ±5% after 500 hours at 40°C and 90-95% RH with intermittent load as above power. |
| Temperature Cycle | Resistance change shall be within ±5% after 5 cycles of -40/ +20/ +100°C. |
| Soldering Effect | Resistance change shall be within ±3% after immersion into solder at 260 ± 5°C for a period of 5 seconds up to the side wall of the terminal. |

Marking: All units shall be marked with nominal resistance value on back side of the body as shown below:

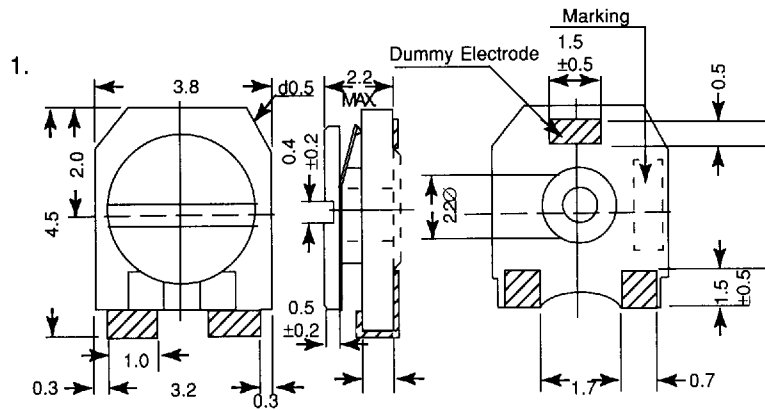


PART NUMBERING SYSTEM

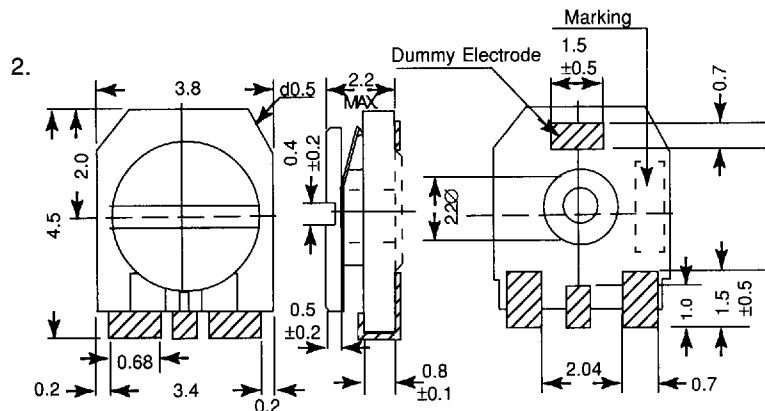
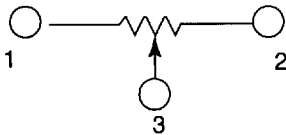


DIMENSIONS IN mm

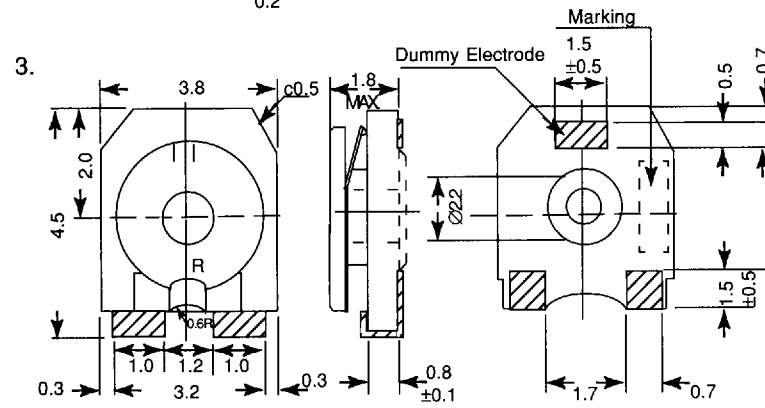
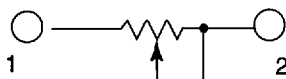
1. NRCT42BXXXM
2 terminals
Minus Driver



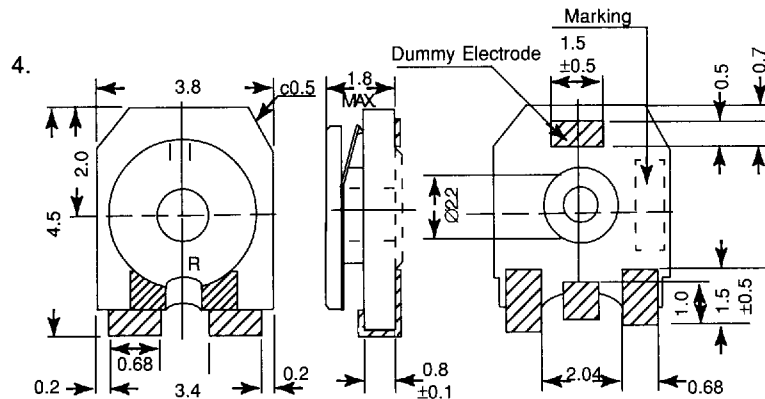
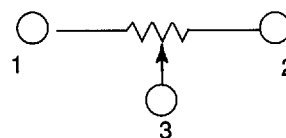
2. NRCT43BXXXM
3 terminals
Minus Driver



3. NRCT42BXXXS
2 terminals
Special Tool



4. NRCT43BXXXS
3 terminals
Special Tool



SURFACE MOUNT



