

AN8410SA (Under development)

Actuator Motor Drive IC

Overview

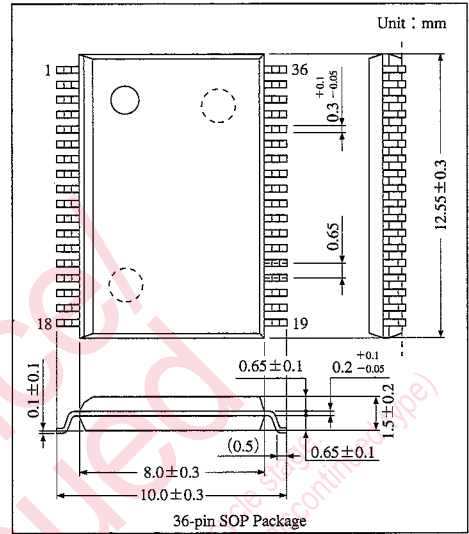
The AN8410SA is a head actuator drive IC for disk memory device.

The operating supply voltage is designed to support the 5V or 3.3V system.

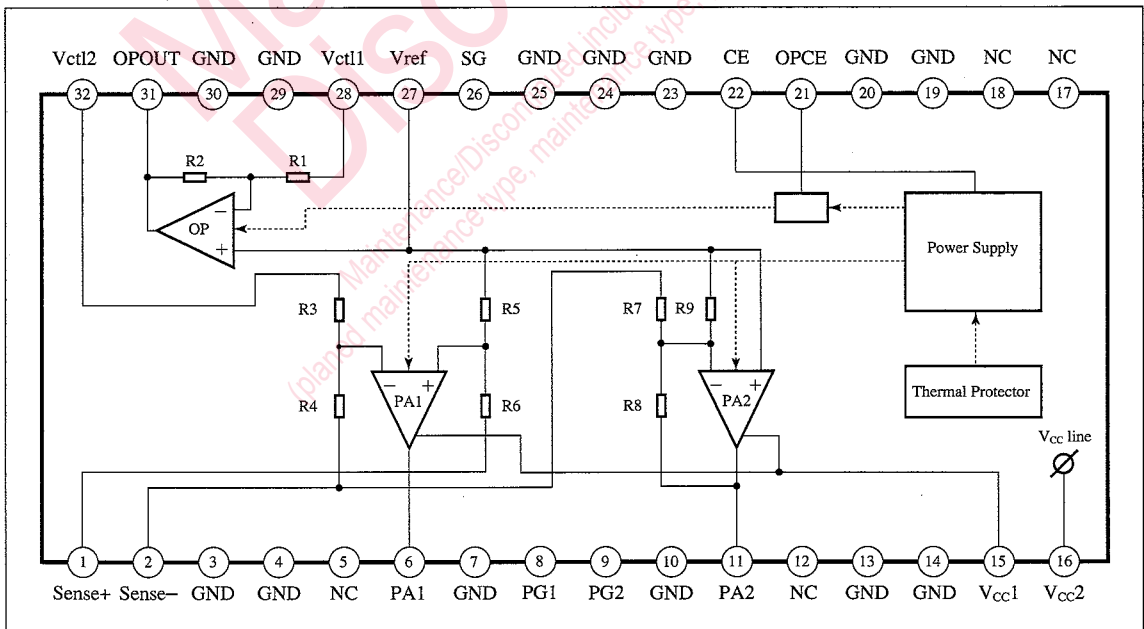
This IC incorporates the power PNP transistor in the motor drive, realizing the low saturation output without any external parts.

Features

- Wide operating supply voltage range : 3.3V and 5V systems supported
- Small cross-over distortion
- Low saturation output realized by power PNP transistor



Block Diagram



■ Absolute Maximum Rating (Ta=25°C)

Parameter	Symbol	Rating	Unit
Supply voltage	V _{CC}	6.5	V
Supply current	I _{CC}	—	mA
Output current <small>Note 1)</small>	I _{max}	±200	mA
Output peak current <small>Note 1)</small>	I _{peak}	±300	mA
Output voltage	V _O	-0.3 to V _{CC} +0.3	V
Input voltage	V _I	-0.3 to V _{CC} +0.3	V
Power dissipation	P _D	—	mW
Operating ambient temperature	T _{opr}	-5 to +75	°C
Storage temperature	T _{stg}	-40 to +125	°C

Note 1) Only for power transistor output terminal (PA1, PA2)

■ Recommended Operating Range (Ta=25°C)

Parameter	Symbol	Range
Operating supply voltage	V _{CC}	2.9V to 5.5V

■ Electrical Characteristics (V_{CC}=5V, Ta=25±2°C)

Parameter	Symbol	Condition	min	typ	max	Unit
No-Signal Time Consumption Current						
In sleep mode	I _{sleep}	V _{CE} =V _{CC} -0.8V	—	0.1	0.4	mA
Set-up time	I _{setup}	V _{CC} =3V V _{SE} =0.8V V _{OPCE} =0.8V	—	13	20	mA
Set-up time	I _{setup}	V _{CC} =5V V _{CE} =0.8V V _{OPCE} =0.8V	—	16	23	mA
Interface Block OPCE Terminal						
Input high voltage	V _{HOPCE}	V _{CE} =0.8V	0	—	0.8	V
Input low voltage	V _{LOPCE}	V _{CE} =0.8V	2.0	—	V _{CC}	V
Input high current	I _{HOPCE}	V _{CE} =0.8V V _{OPCE} =2.0V	—	240	—	μA
Input low current	I _{LOPCE}	V _{CE} =0.8V V _{OPCE} =0.8V	—	-90	—	μA
Interface Block CE Terminal						
Input high voltage	V _{HCE}		V _{CC} -0.8	—	V _{CC}	V
Input low voltage	V _{LCE}		0	—	0.8	V
Input high current	I _{HCE}	V _{CE} =V _{CC} -0.8V	—	-20	—	μA
Input low current	I _{LCE}	V _{CE} =0.8V	—	-130	—	μA
Impedance						
V _{CTL1} to OPOUT impedance	Z ₁		18.75	25	32.25	kΩ
V _{CTL2} to sense ⊖ impedance	Z ₂		9.0	12	15	kΩ
V _{REF} to sense ⊕ impedance	Z ₃		9.0	12	15	kΩ
PA1, PA2 Output Block						
No-signal time voltage	V _{OPA}	V _{REF} = $\frac{1}{2}$ V _{CC}	$\frac{1}{2}$ V _{CC} -0.35	$\frac{1}{2}$ V _{CC}	$\frac{1}{2}$ V _{CC} +0.35	V
Leak current	I _{LPA}		—	0.01	0.5	mA
Output total saturation voltage	V _{sat}	I _O =200mA	—	0.40	0.7	V

Electrical Characteristics (cont.) ($V_{CC}=5V$, $T_a=25\pm 2^\circ C$)

Parameter	Symbol	Condition	min	typ	max	Unit
V_{CTL1} to PA Input/Output Block						
V/I transmission gain	gm1	$R_S=1\Omega$, $R_L=10\Omega$	200	250	300	mA/V
Input offset voltage	ΔV_I	$V_{REF}=V_{CTL1}=\frac{1}{2}V_{CC}$	—	—	± 30	mV
Total harmonics distortion ratio	D1	$f=1kHz$, $I_O=0.1A_{rms}$	—	—	2	%
V_{CTL1} to OPOUT Input/Output Block						
Transmission gain	G1	$V_{REF}=\frac{1}{2}V_{CC}$	0.22	0.25	0.28	Times
Output impedance 1	V_{Z1}	$V_{REF}=\frac{1}{2}V_{CC}$ $I_O=-0.6mA$	$\frac{1}{2}V_{CC}$ -0.2	$\frac{1}{2}V_{CC}$	$\frac{1}{2}V_{CC}$ +0.2	V
Output impedance 2	V_{Z2}	$V_{REF}=\frac{1}{2}V_{CC}$ $I_O=-1mA$	$\frac{1}{2}V_{CC}$ -0.2	$\frac{1}{2}V_{CC}$	$\frac{1}{2}V_{CC}$ +0.2	V
Output amplitude	V_{OPOUT}		0.4	—	$V_{CC}-1$	V

Electrical Characteristics (Design Reference Values) ($T_a=25\pm 2^\circ C$)

Parameter	Symbol	Condition	min	typ	max	Unit
Thermal Protection Circuit						
Thermal protection operation temperature	T_P		—	150	—	$^\circ C$
Thermal protection reset temperature	T_{PR}		—	125	—	$^\circ C$
V_{CTL1} to PA Input/Output Block						
Gain band width	B1	$R_S=1.0\Omega$, $R_L=10\Omega$ $gm=-3dB$	—	42	—	kHz
Phase shift	$\Delta\phi 1$	$f=1kHz$	—	1.6	—	deg
V_{CTL2} to PA Input/Output Block						
V/I transmission gain	gm2	$R_S=2\Omega$, $R_L=10\Omega$	—	500	—	mA/V
Total harmonics distortion ratio	D2	$f=1kHz$ $I_O=0.1A_{rms}$	—	0.4	—	%
Gain band width	B2	$g=-3dB$	—	100	—	kHz
Phase shift	$\Delta\phi 2$	$f=1kHz$	—	0.9	—	deg
V_{CTL1} to PA Input/Output Block						
Input voltage range 1		$V_{CC}=4.5$ to $5.5V$	—	$\frac{1}{2}V_{CC}$	—	V

■ Pin Descriptions

Pin No.	Pin name	Function description
1	Sense+	It has double function : as feedback terminal for power amp. 1 and input terminal for power amp. 2. It should be connected to PA1 and detection resistor R_s .
2	Sense-	It is the current feedback terminal for power amp. 1. It should be connected to detection resistor R_s and VCM.
3, 4	PG	Power ground
5	NC	—————
6	PA1	Output terminal for power amp. 1, which drives the voice coil motor.
7	GND	Ground terminal
8	PG	Power ground
9	PG	Power ground
10	PG	Power ground
11	PA2	Output terminal for power amp. 2, which drives the voice coil motor.
12	NC	—————
13, 14	PG	Power ground
15	V _{cc1}	Terminal supplying the supply voltage to the power system
16	V _{cc2}	Terminal supplying the supply voltage to the system
17, 18	NC	—————
19, 20	PG	Power ground
21	OPCE	Terminal putting the operational amp. block into a condition able to operate.
22	CE	Terminal putting the IC (chip) into a condition able to operate.
23~25	PG	Power ground
26	SG	Signal ground
27	VREF	Terminal inputting the reference voltage
28	VCTL1	Terminal inputting the control voltage
29, 30	PG	Power ground
31	OPOUT	Terminal outputting the output voltage of operational amp. It should be connected to the VCTL2 when the operation amp. is used.
32	VCTL2	It is a terminal inputting the control voltage. When the operational amp. is used, it should be connected to OPOUT. When the operational amp is not used, the control voltage is applied to this terminal.

All power ground (PG) terminals should be connected to ground.

Pin Internal Circuit Descriptions

Pin No.	Internal circuit	Pin No.	Internal circuit
1 Sense ⁺		12 NC	
		13, 14 GND	Power ground
		15 V _{cc1}	POWER V _{cc}
		16 V _{cc2}	SIGNAL V _{cc}
2 Sense ⁻		17, 18 NC	
		19, 20 GND	Power ground
3, 4 GND	Power ground	21 OPCE	
5 NC			
6 PAI		22 CE	
7 GND	Power ground	23~25 GND	Power ground
8 PG	POWER GND	27 V _{REF}	
9 PG	POWER GND		
10 GND	Power ground		
11 PA2			

■ Pin Internal Circuit Descriptions (cont.)

Pin No.	Internal circuit	Pin No.	Internal circuit
28 V_{CTL1}		31 OP_{OUT}	
29, 30 GND		32 V_{CTL2}	

Maintenance/Discontinued

Maintenance/Discontinued includes following four Product lifecycle state:
(planned maintenance type, maintenance type, planned discontinued type, discontinued type)



■ Current Detection Resistance R_S (Application Circuit 1)

Resistance R_S is the detection resistance for current which flows in the voice coil motor and sets the gm of current feedback amp.
(Power amp. 1)

(Output voltage of PA1 terminal : V_{OUT} , End to end voltage of R_S : V_S , Load current of voice coil motor : I_{OUT})

$$R_3 = R_4 = R_5 = R_6 = R$$

$$\begin{aligned} V^+ &= V_{REF} + \frac{R_5}{R_5 + R_6} (V_{OUT} - V_S - V_{REF}) \\ &= \left(1 - \frac{R_5}{R_5 + R_6}\right) V_{REF} + \frac{R_5}{R_5 + R_6} V_{OUT} - \frac{R_5}{R_5 + R_6} V_S \\ &= \frac{1}{2} V_{REF} + \frac{1}{2} V_{OUT} - \frac{1}{2} V_S \end{aligned} \quad \dots\dots\dots (1)$$

$$\begin{aligned} V^- &= V_{CTL2} + \frac{R_3}{R_3 + R_4} (V_{OUT} - V_{CTL2}) \\ &= \left(1 - \frac{R_3}{R_3 + R_4}\right) V_{CTL2} + \frac{R_3}{R_3 + R_4} V_{OUT} \\ &= \frac{1}{2} V_{CTL2} + \frac{1}{2} V_{OUT} \end{aligned} \quad \dots\dots\dots (2)$$

Since $V^+ = V^-$

$$\begin{aligned} \frac{1}{2} V_{REF} + \frac{1}{2} V_{OUT} - \frac{1}{2} V_S &= \frac{1}{2} V_{CTL2} + \frac{1}{2} V_{OUT} \\ -V_S &= V_{CTL2} - V_{REF} \end{aligned} \quad \dots\dots\dots (3)$$

Since $V_S = I_{OUT} R_S$, putting equation (3) into this equation :

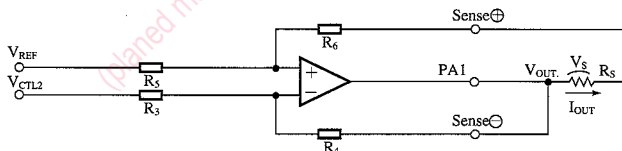
$$-I_{OUT} \cdot R_S = V_{CTL2} - V_{REF} \quad \dots\dots\dots (4)$$

$$\frac{I_{OUT}}{V_{CTL2} - V_{REF}} = -\frac{1}{R_S} \quad \dots\dots\dots (5)$$

Input voltage change $\Delta V_{IN} = \Delta(V_{CTL2} - V_{REF})$ and $gm = \frac{\text{Output current change } \Delta I_{OUT}}{\text{Input voltage change } \Delta V_{IN}}$

Therefore, from equation (5) :

$$\begin{aligned} gm &= \frac{\Delta I_{OUT}}{\Delta V_{IN}} = \frac{\Delta I_{OUT}}{\Delta(V_{CTL2} - V_{REF})} \\ &= -\frac{1}{R_S} \end{aligned} \quad \dots\dots\dots (6)$$



Current feedback amp.

When the operational amp. (OP) is used (Refer to Application Circuit 2),

$$V^- = (V_{CTL2} - V_{CTL1}) \frac{R_1}{R_1 + R_2} + V_{CTL1} \quad \dots\dots\dots (7)$$

$$V^+ = V_{REF} \quad \dots\dots\dots (8)$$

Since $V^+ = V^-$

$$V_{REF} = (V_{CTL2} - V_{CTL1}) \frac{R_1}{R_1 + R_2} + V_{CTL1}$$

Therefore,

$$\begin{aligned} -(V_{CTL2} - V_{CTL1}) \frac{R_1}{R_1 + R_2} &= V_{CTL1} - V_{REF} \\ -(V_{CTL2} - V_{CTL1}) &= (V_{CTL1} - V_{REF}) \frac{R_1 + R_2}{R_1} \\ -V_{CTL2} &= (V_{CTL1} - V_{REF}) \left(1 + \frac{R_2}{R_1}\right) - V_{CTL1} \\ V_{CTL2} &= V_{REF} - \frac{R_2}{R_1} (V_{CTL1} - V_{REF}) \quad \dots\dots\dots (9) \end{aligned}$$

Putting equation (9) into equation (4) :

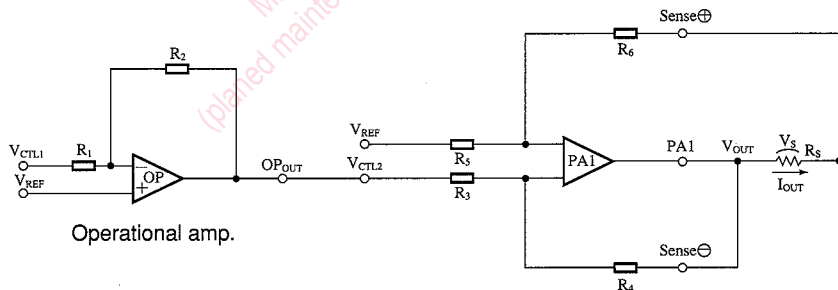
$$\begin{aligned} -I_{OUT} \cdot R_S &= V_{CTL2} - V_{REF} \\ &= \left\{ V_{REF} - \frac{R_2}{R_1} (V_{CTL1} - V_{REF}) \right\} - V_{REF} \\ &= -\frac{R_2}{R_1} (V_{CTL1} - V_{REF}) \\ \frac{I_{OUT}}{V_{CTL1} - V_{REF}} &= \frac{R_2}{R_1} \cdot \frac{1}{R_S} \quad \dots\dots\dots (10) \end{aligned}$$

$$\begin{aligned} gm &= \frac{\Delta I_{OUT}}{\Delta V_{IN}} = \frac{\Delta I_{OUT}}{\Delta (V_{CTL1} - V_{REF})} \\ &= \frac{R_2}{R_1} \cdot \frac{1}{R_S} \quad \dots\dots\dots (11) \end{aligned}$$

Since $R_1 : R_2 = 4 : 1$ is set :

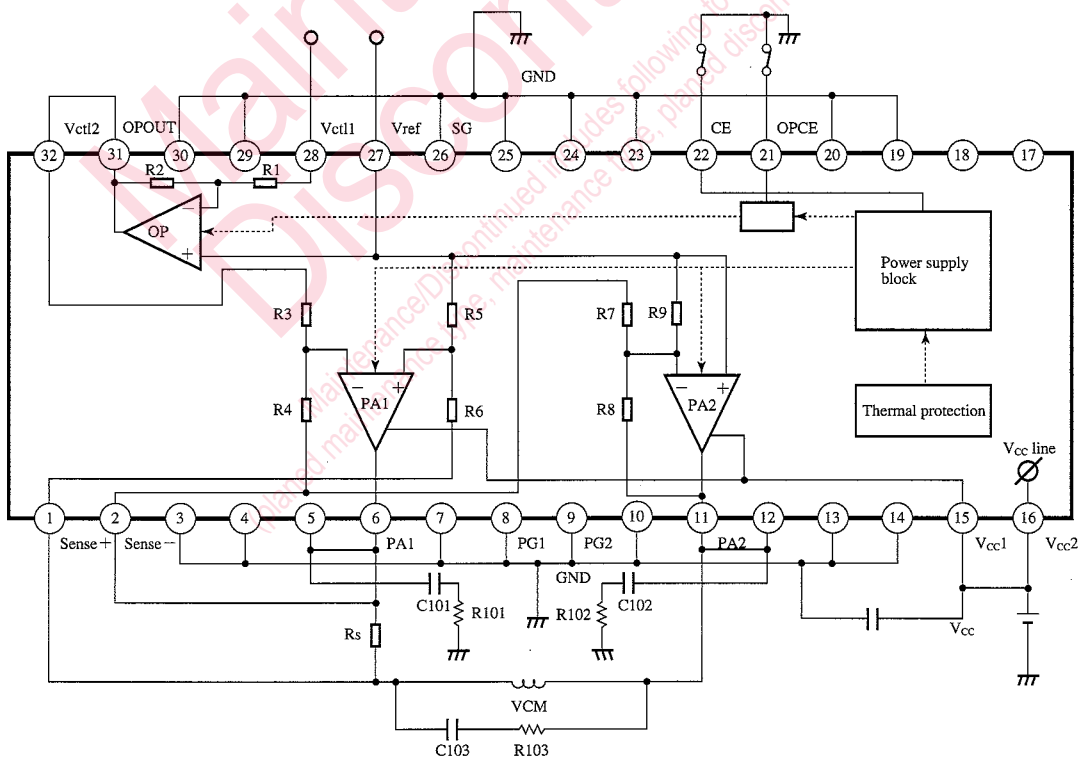
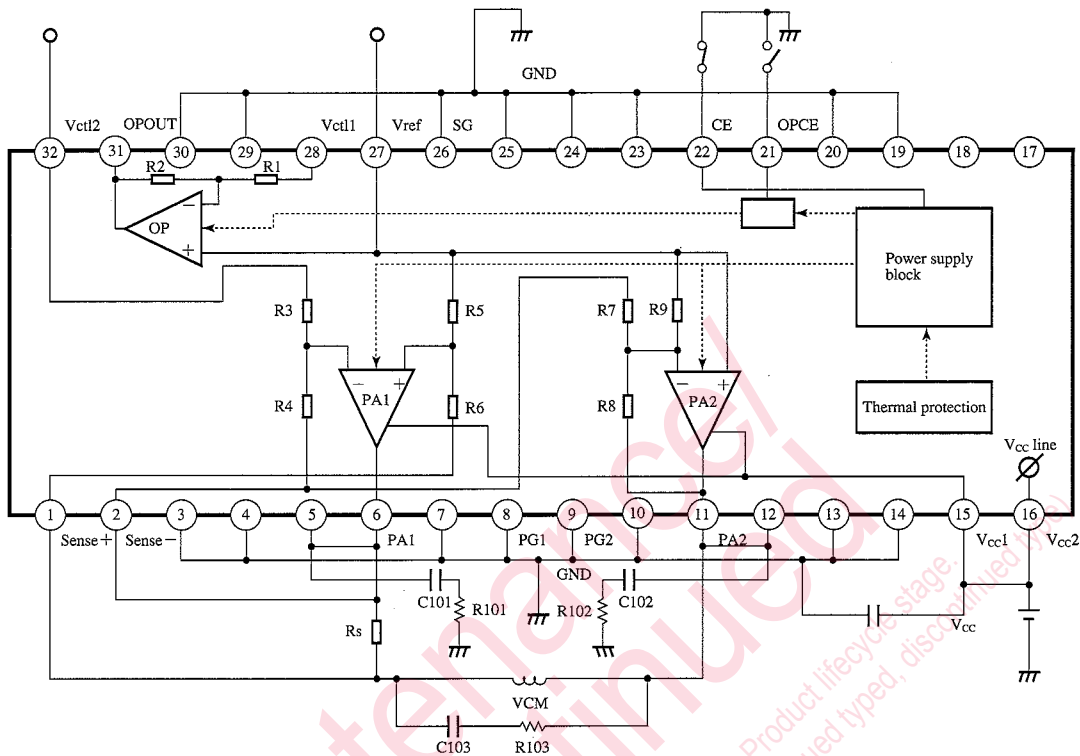
$$gm = \frac{1}{4} \cdot \frac{1}{R_S} \quad \dots\dots\dots (12)$$

The sense resistance can be reduced to 1/4 when the gm is set equal to it by using the operational amp. (OP). Since the operational amp. is reversal type, the direction of output current I_{OUT} to the control voltage V_{CTL} is reversed by using the operational amp.



ICs for Motor

■ Application Circuits



Request for your special attention and precautions in using the technical information and semiconductors described in this book

- (1) If any of the products or technical information described in this book is to be exported or provided to non-residents, the laws and regulations of the exporting country, especially, those with regard to security export control, must be observed.
- (2) The technical information described in this book is intended only to show the main characteristics and application circuit examples of the products. No license is granted in and to any intellectual property right or other right owned by Panasonic Corporation or any other company. Therefore, no responsibility is assumed by our company as to the infringement upon any such right owned by any other company which may arise as a result of the use of technical information described in this book.
- (3) The products described in this book are intended to be used for standard applications or general electronic equipment (such as office equipment, communications equipment, measuring instruments and household appliances).
Consult our sales staff in advance for information on the following applications:
 - Special applications (such as for airplanes, aerospace, automobiles, traffic control equipment, combustion equipment, life support systems and safety devices) in which exceptional quality and reliability are required, or if the failure or malfunction of the products may directly jeopardize life or harm the human body.
 - Any applications other than the standard applications intended.
- (4) The products and product specifications described in this book are subject to change without notice for modification and/or improvement. At the final stage of your design, purchasing, or use of the products, therefore, ask for the most up-to-date Product Standards in advance to make sure that the latest specifications satisfy your requirements.
- (5) When designing your equipment, comply with the range of absolute maximum rating and the guaranteed operating conditions (operating power supply voltage and operating environment etc.). Especially, please be careful not to exceed the range of absolute maximum rating on the transient state, such as power-on, power-off and mode-switching. Otherwise, we will not be liable for any defect which may arise later in your equipment.
 - Even when the products are used within the guaranteed values, take into the consideration of incidence of break down and failure mode, possible to occur to semiconductor products. Measures on the systems such as redundant design, arresting the spread of fire or preventing glitch are recommended in order to prevent physical injury, fire, social damages, for example, by using the products.
- (6) Comply with the instructions for use in order to prevent breakdown and characteristics change due to external factors (ESD, EOS, thermal stress and mechanical stress) at the time of handling, mounting or at customer's process. When using products for which damp-proof packing is required, satisfy the conditions, such as shelf life and the elapsed time since first opening the packages.
- (7) This book may be not reprinted or reproduced whether wholly or partially, without the prior written permission of our company.