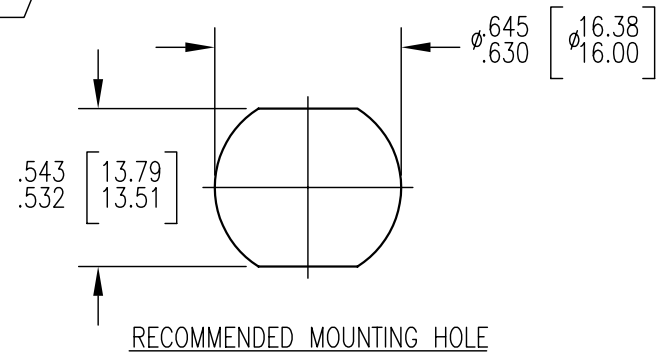
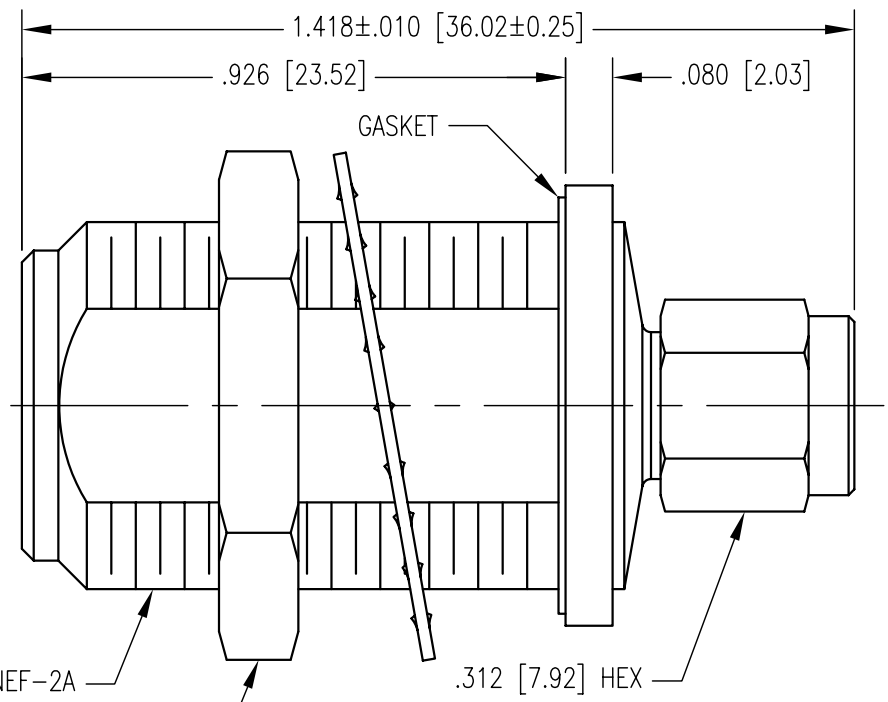
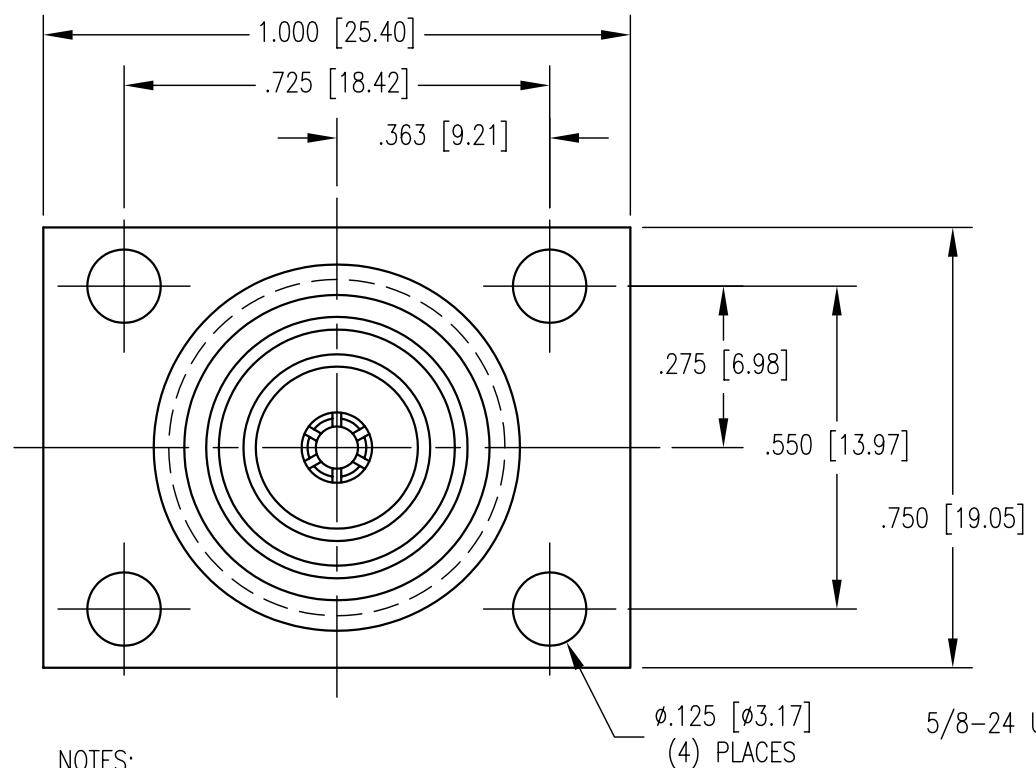


REV	DESCRIPTION	BY DATE	APPD
01	EWR 03-225	8/5/03 CJT	MEP



NOTES:

- MATERIALS:
 CENTER CONTACT: BERYLLIUM COPPER PER ASTM B196
 RETAINING RING: BERYLLIUM COPPER PER ASTM B194
 JAM NUT: BRASS PER ASTM B16
 LOCKWASHER: PHOSPHOR BRONZE PER ASTM B103
 ALL OTHER METAL PARTS: STAINLESS STEEL PER ASTM A582
 INSULATOR: TEFLON PER ASTM D1710
 GASKET: SILICONE RUBBER PER ZZ-R-765
- FINISH:
 CENTER CONTACT: .000030 MIN. GOLD PER MIL-G-45204 OVER
 .000050 MIN. NICKEL PER QQ-N-290
 JAM NUT & LOCKWASHER: .000100 MIN. NICKEL PER QQ-N-290 OVER
 COPPER FLASH
 RETAINING RING: UNPLATED
 ALL OTHER METAL PARTS: PASSIVATED PER ASTM A967
- ELECTRICAL:
 IMPEDANCE: 50 OHMS NOMINAL
 FREQUENCY RANGE: 0 - 11.0 GHz
- OPERATING TEMPERATURE: -65°C TO +165°C

PER ASME Y14.5M-1994
 UNLESS OTHERWISE SPECIFIED:
 DIMENSIONS ARE IN INCHES (MM)
 TOLERANCES:
 DECIMALS .XX ± .01 [0.254]
 .XXX ± .005 [0.127]
 ANGLES ± 2° SCALE: 3:1



Winchester Electronics 62 Barnes Industrial Road North
 Wallingford, CT 06492

CUSTOMER DRAWING



TITLE
**SMA PLUG - TYPE N BULKHEAD
 FLANGE MOUNT ADAPTER**

DRAWN JED	DATE 8/5/03	CHECKED CWB	DATE 8/6/03
APPROVED JEM	DATE 8/5/03	APPROVED MG	DATE 8/7/03

A	SD250-601-9901P	SHT.	OF	REV.
		1	1	01