

A

B

C

D

E

F

G

H

A

B

C

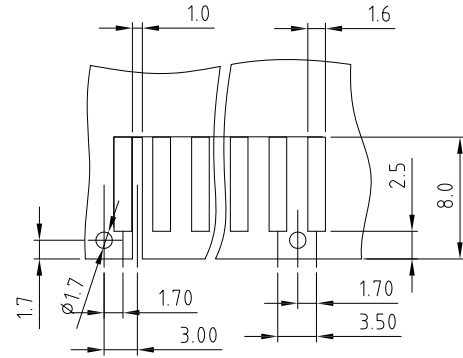
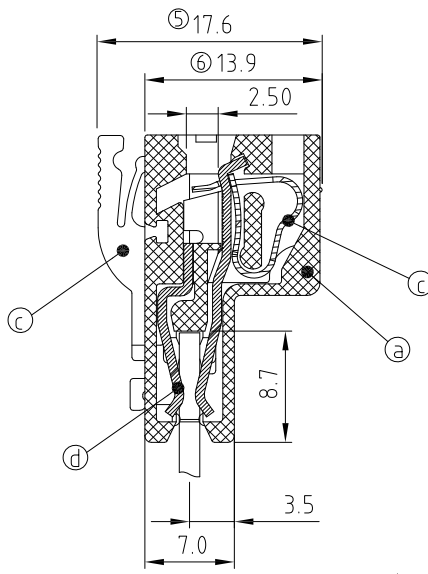
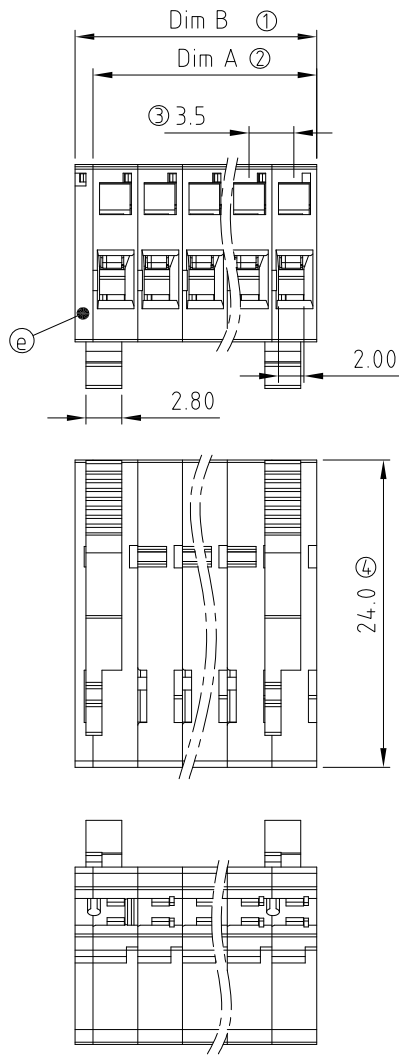
D

E

F

G

H



**Notes:**

**Material**

- a. Insulator (housing): Thermoplastic (UL94V-0)
- b. Insulator (Lever): Thermoplastic (UL94V-0), Orange
- c. Spring Clam: Stainless Steel
- d. Female Contact: PhBz (CuSn), Tin plated
- e. Insulator (Cover): Thermoplastic (UL94V-0), Black

**Electrical**

- 1. Voltage rating: 300VAC
- 2. Current rating: 8A
- 3. Solid wire (AWG): 16-26
- 4. Stranded wire (AWG): 16-26
- 5. Wire strip length: 7-8mm
- 6. Withstanding Voltage: 1.6KV
- 7. Size of the PCB: 1.6±0.2mm
- 9. Operating temperature: -40°C to +115°C

**Order Code:**

A-TB350-NDxx - x:

Housing color :  
G: Green  
BK: Black  
Poles: 02~24

**RoHS compliant**  
Unit: mm

Scale	1:1					Date	Name	Customer-No.
TOLERANCE					Drawn	26.02.2020	Winnie	
X.	±0.50				Approved	26.02.2020	Winnie	ASSMANN WSW-No.
X.X	±0.30							<b>A-TB350-NDxx-x</b>
X.XX	±0.10							Drawing-No.
DIM	TOL							<b>ASS 8548 CO</b>
X.°	±1°	①	Drawn	26.02.2020	Winnie	<b>ASSMANN</b> WSW components		rev00
X.X°	±X°	Id.	Modification	Date	Name			Replace
Angle	TOL							1/1