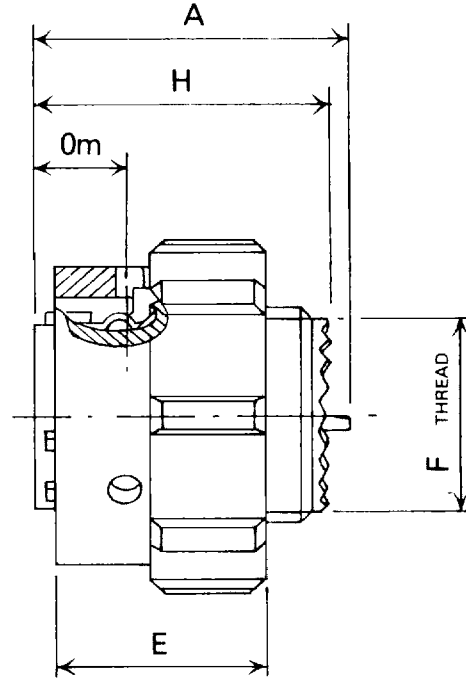
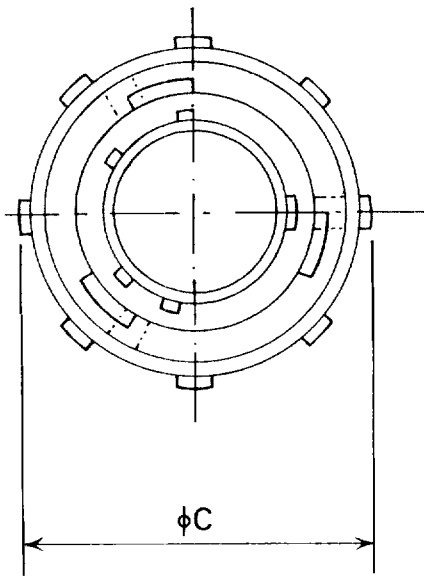
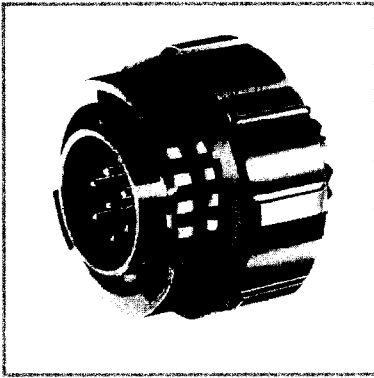


AB Style:- AB05-6300 Plug, Coarse Ribbed Coupling Nut with Grounding Fingers BS Style:- C2095



- Metric
 - Imperial

HOUSING (SHELL) SIZE	A max.	ϕ C max.	E max.	F thread	H max.	O _m min.	MASS
				UNE F 2A		OVERLAP	MAX. G
08	25.4	22.1	20.4	7/16 - 28	24.4	7.3	13
	1.00	0.87	0.80		0.96	0.29	
10	25.4	24.9	20.4	9/16 - 24	24.4	7.3	17
	1.00	0.98	0.80		0.96	0.29	
12	25.4	29.3	20.4	1 1/16 - 24	24.4	7.3	22
	1.00	1.15	0.80		0.96	0.29	
14	25.4	32.6	20.4	1 3/16 - 20	24.4	7.3	28
	1.00	1.28	0.80		0.96	0.29	
16	25.4	37.6	20.4	1 5/16 - 20	24.7	7.3	38
	1.00	1.48	0.80		0.97	0.29	
18	25.4	40.4	20.4	1 7/16 - 18	24.9	7.3	46
	1.00	1.59	0.80		0.98	0.29	
20	27.8	43.5	20.4	1 3/8 - 18	26.2	8.9	59
	1.10	1.71	0.80		1.03	0.35	
22	27.8	46.3	20.4	1 5/8 - 18	26.2	8.9	63
	1.10	1.82	0.80		1.03	0.35	
24	27.8	49.6	21.4	1 7/8 - 18	28.0	8.9	83
	1.10	1.95	0.84		1.10	0.35	

● FOR OUTLINE DIMENSIONS OF CONNECTORS WITH ACCESSORIES SEE PAGE 19