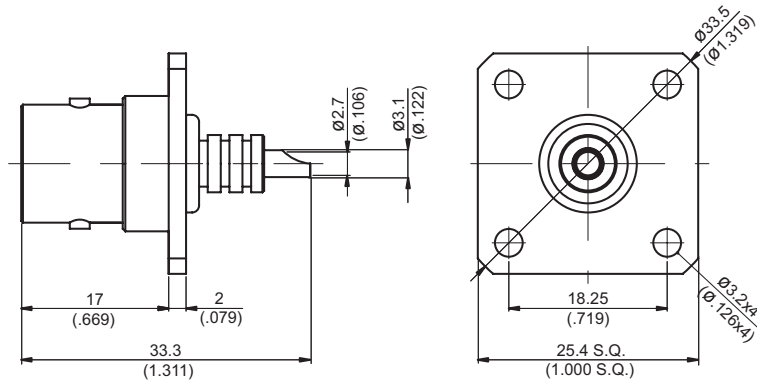
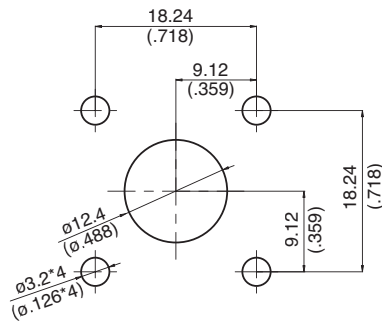


C864A-0000

C Jack For Panel Receptacle 50Ω



MOUNTING HOLE



Parts	Material	Plating(Micro-inch)
Insulator	Teflon	
Contact Pin	Beryllium Copper	Gold 20 Over Nickel 50 Over Copper 50
Body	Brass	Tin-Zinc-Copper-Alloy 100 Over Copper 50

Weight: 23.2 g

This part number complies with RoHS.

Notice: JYEBAO reserves the right to make modifications deemed appropriate.