

THIS DRAWING IS UNPUBLISHED. RELEASED FOR PUBLICATION
 © COPYRIGHT BY TYCO ELECTRONICS CORPORATION. ALL RIGHTS RESERVED.

LOC		DIST		REVISIONS			
P	LTR	DESCRIPTION		DATE	DWN	APVD	
Z		EC 0G3C 0624 04		13SEP05	BSV	MSS	

- FOR ADDITIONAL SPECIFICATIONS SEE AMP PRODUCT SPEC 108-7519.
- SWITCH HAS MAKE-BEFORE-BREAK OPERATION.
- ALL CHARACTERS AND ROCKERS ARE WHITE, HOUSING IS BLACK.
- STAMPING WILL VARY ON 2 POSITION SIDES DUE TO SPACE RESTRICTIONS.
- $\triangle 5$.315 DIMENSION APPLIES AT TERMINAL TIPS. TERMINALS ARE $.300 \begin{smallmatrix} +.010 \\ -.000 \end{smallmatrix}$ AT MOUNTING SURFACE.
- SWITCH POSITIONS ARE CLOSED WHEN ROCKERS ARE DOWN TOWARD DOTS.
- $\triangle 7$ ALL MATERIALS AND FINISHES SHALL COMPLY WITH EU DIRECTIVE 2002/95/EC OF 27JAN2003 (ROHS).

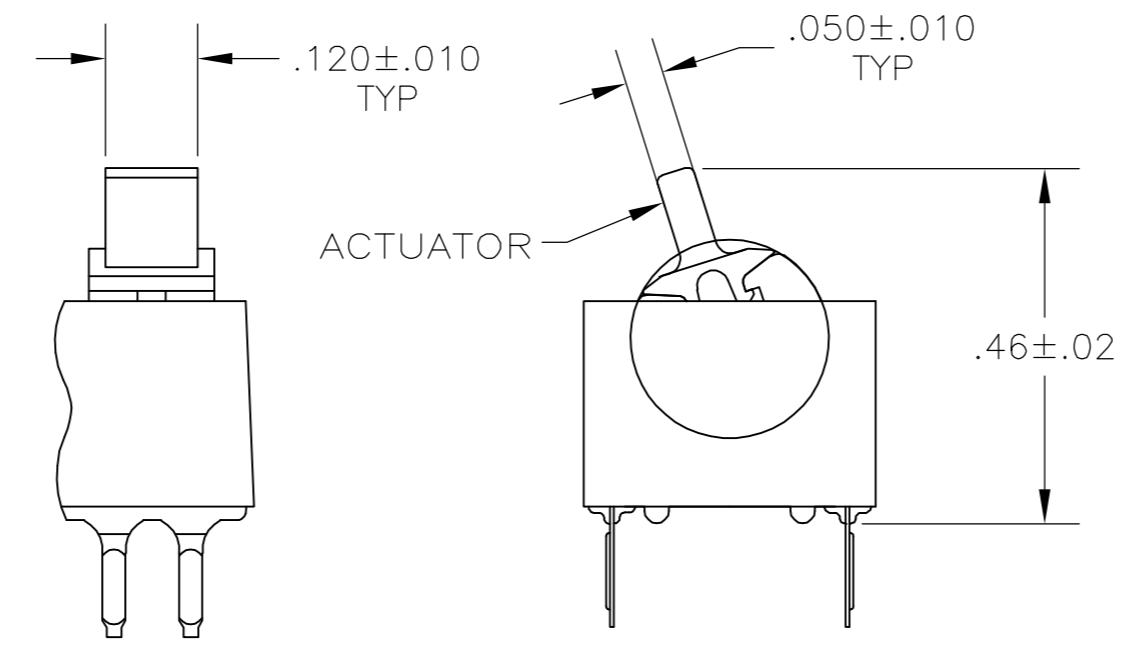
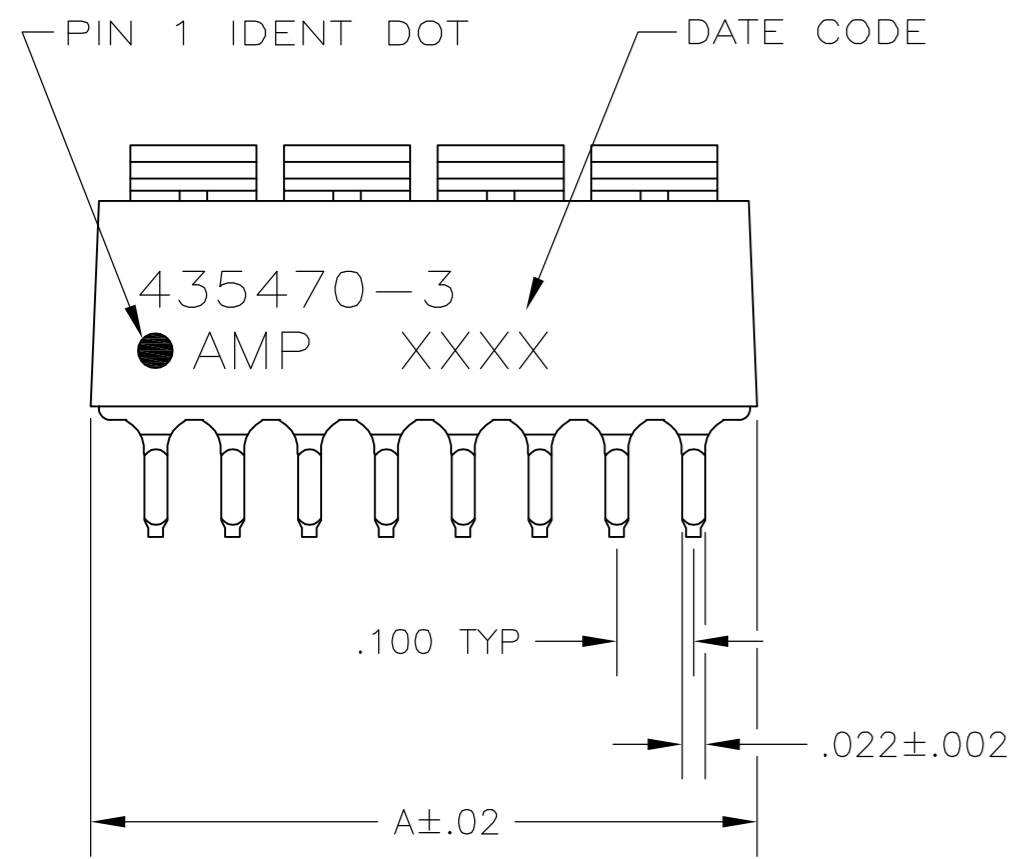
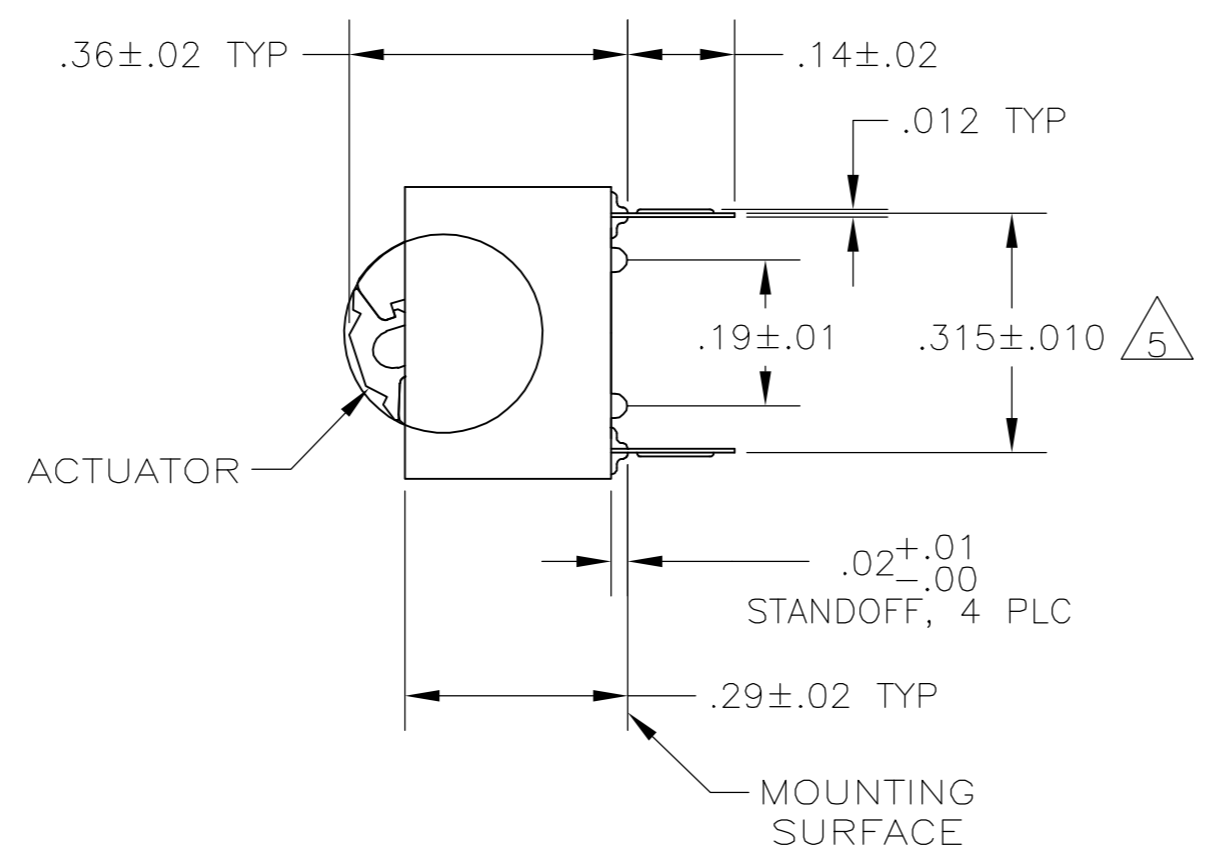
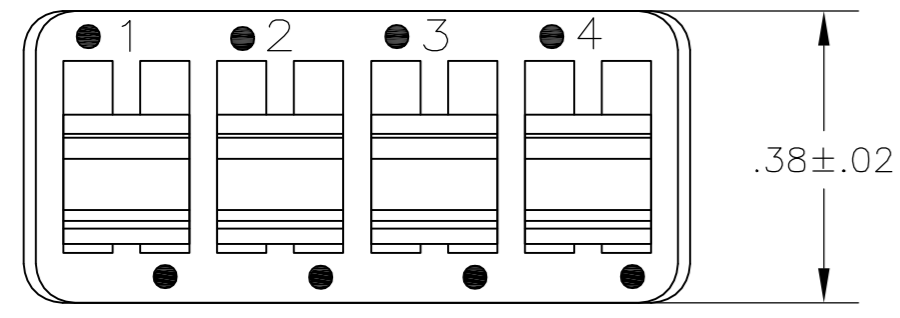


FIGURE 1
LEVER ACTUATOR SHOWN

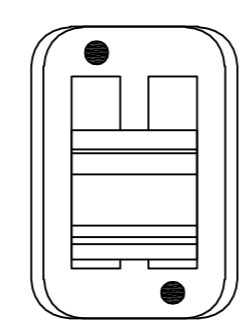
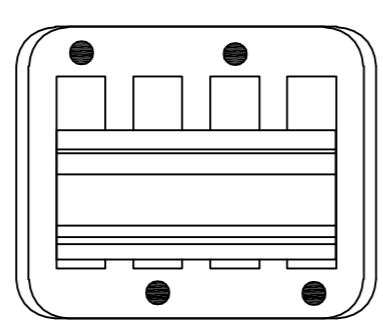
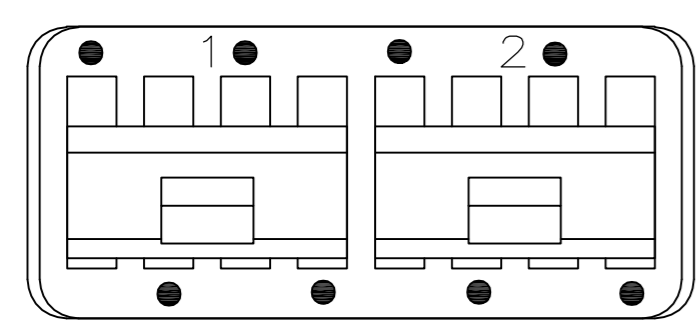
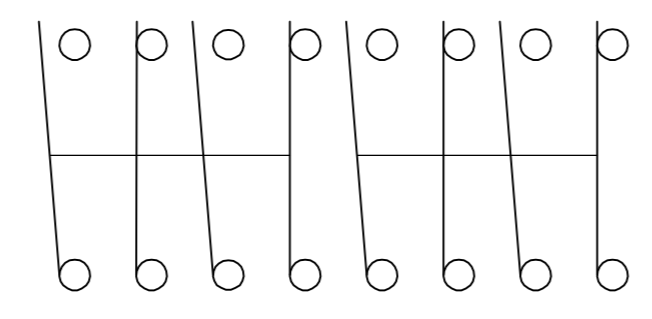
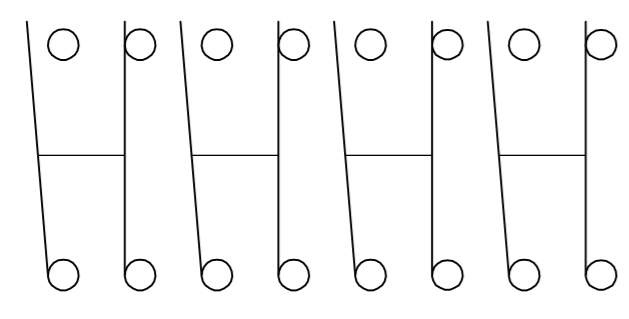


FIGURE 2

FIGURE 3

FIGURE 4



SPDT

DPDT

CONTACT ARRANGEMENT

FIG 1	FIG 3						
FIG 1	AS SHOWN	1.28	SPDT	12	7-435470-6	$\triangle 7$	
FIG 1	AS SHOWN	1.08	SPDT	10	7-435470-5	$\triangle 7$	
FIG 1	AS SHOWN	.88	SPDT	8	7-435470-4	$\triangle 7$	
FIG 1	AS SHOWN	.48	SPDT	4	7-435470-2	$\triangle 7$	
FIG 1	FIG 4	.28	SPDT	2	7-435470-1	$\triangle 7$	
AS SHOWN	FIG 2	.88	DPDT	8	5-435470-9	$\triangle 7$	
AS SHOWN	FIG 4	.28	SPDT	2	5-435470-7	$\triangle 7$	
AS SHOWN	FIG 3	.48	DPDT	4	5-435470-5	$\triangle 7$	
AS SHOWN	AS SHOWN	.88	SPDT	8	5-435470-3	$\triangle 7$	
AS SHOWN	AS SHOWN	.68	SPDT	6	5-435470-2	$\triangle 7$	
AS SHOWN	AS SHOWN	.48	SPDT	4	5-435470-1	$\triangle 7$	
OBSOLETE		FIG 1	FIG 2	1.28	DPDT	12	3-435470-3
SUPERSEDED BY 435470-9		FIG 1	FIG 2	.88	DPDT	8	3-435470-2
OBSOLETE		FIG 1	FIG 3	.48	DPDT	4	3-435470-1
OBSOLETE		FIG 1	NONE	.88	SPDT	8	2-435470-7
OBSOLETE		FIG 1	AS SHOWN	1.28	SPDT	12	2-435470-6
OBSOLETE		FIG 1	AS SHOWN	1.08	SPDT	10	2-435470-5
OBSOLETE		FIG 1	AS SHOWN	.88	SPDT	8	2-435470-4
OBSOLETE		FIG 1	AS SHOWN	.68	SPDT	6	2-435470-3
OBSOLETE		FIG 1	AS SHOWN	.48	SPDT	4	2-435470-2
OBSOLETE		FIG 1	FIG 4	.28	SPDT	2	2-435470-1
OBSOLETE		AS SHOWN	FIG 2	.88	DPDT	8	435470-9
SUPERSEDED BY 2-435470-6		AS SHOWN	AS SHOWN	1.28	SPDT	12	435470-8
SUPERSEDED BY 2-435470-5		AS SHOWN	FIG 4	.28	SPDT	2	435470-7
SUPERSEDED BY 2-435470-5		AS SHOWN	FIG 3	.48	DPDT	4	435470-5
SUPERSEDED BY 2-435470-5		AS SHOWN	AS SHOWN	1.08	SPDT	10	435470-4
SUPERSEDED BY 2-435470-5		AS SHOWN	AS SHOWN	.88	SPDT	8	435470-3
SUPERSEDED BY 2-435470-5		AS SHOWN	AS SHOWN	.68	SPDT	6	435470-2
SUPERSEDED BY 2-435470-5		AS SHOWN	AS SHOWN	.48	SPDT	4	435470-1
ACTUATOR	TOP MARKING	A	SWITCH TYPE	NO OF POSN	PART NO		

THIS DRAWING IS A CONTROLLED DOCUMENT.

DWN	R.TALLEY	15MAR90		Tyco Electronics Corporation		
CHK	R.MILLER	27MAR90		Harrisburg, Pa 17105-3608		
APVD	H.LEITER	27MAR90		NAME		
PRODUCT SPEC				SWITCH ASSY, DIP, TYPE C, 7000 SERIES, SPDT & DPDT		
APPLICATION SPEC			SIZE	CAGE CODE	DRAWING NO	RESTRICTED TO
MATERIAL: HOUSING & ROCKER; POLYESTER CONTACTS; BERYLLIUM COPPER			WEIGHT	A2	00779	C=435470
FINISH: CONTACTS; PLATED .00030 MIN GOLD IN CONTACT AREA OVER .00050 MIN NICKEL.			CUSTOMER DRAWING	SCALE	4:1	SHEET 1 OF 1