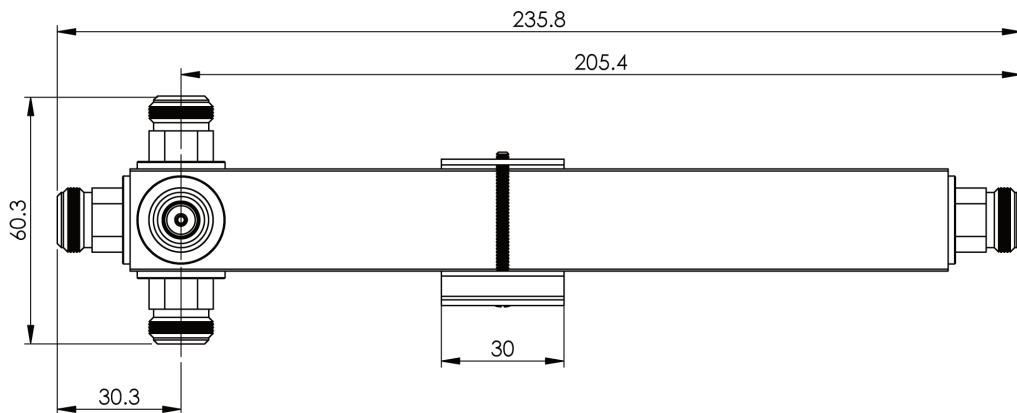
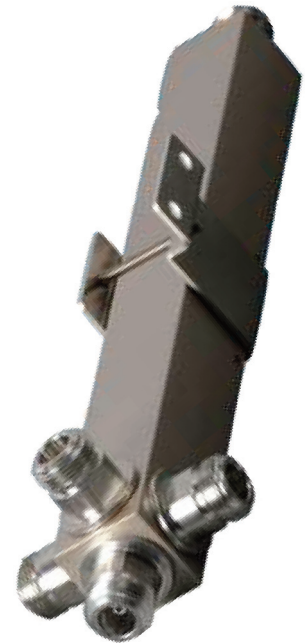


AFGF4G02-1

800-2500 MHz | N-Female | 4-Way

Electrical Characteristics		
Frequency range	800-2500 MHz	
VSWR	≤ 1.25	
Insertion loss	≤ 6.3 dB	
PIM	≤ -150 dBc	
Insulation resistance	> 5000 MΩ	
Conductor resistance - Outer conductor	< 0.4 mΩ	
Conductor resistance - Inner conductor	< 0.8 mΩ	
Impedance	50Ω	
Environmental Characteristics		
Temperature range	-55° to +155° C (-67° to +311° F)	
Weather standard	IEC 60068 55 / 155 / 56	
Weatherproofing standard	IP68	
Thermal shock	US MIL-STD 202, Method 107, Condition B	
Vibration	US MIL-STD 202, Method 204, Condition B	
Shock	US MIL-STD 202, Method 213, Condition I	
RoHS compliant	Yes	
Mechanical Characteristics		
Retention	> 0.56N	
Mechanical wear (hypo-)	500	
Material and Plating		
Body	Aluminum	Spray paint
Jack	Aluminum	Ag5μm
Inner conductor	Spring copper	Ag5μm
Outer conductor	C3603	Copper-tin-zinc 2μm
Insulator	PTFE	---



(mm)

Quoted performance parameters are provided to offer typical or range values only and may vary as a result of normal manufacturing and operational conditions. Extreme operational conditions and/or stress on structural supports is beyond our control. Such conditions may result in damage to this product. Improvements to product may be made without notice.