

CONTINUOUSLY VARIABLE SCREWDRIVER ADJUST PHASE TRIMMER

1-18 GHz

2-450 MHz

MODEL PV-18 SERIES SFP

GENERAL INFORMATION: A phase trimmer continuously changes the phase of a microwave signal by mechanical varying an adjustment screw.
FREQUENCY COVERAGE: 1 to 18 GHz

VSWR: 1.5:1 Maximum 1-8 GHz
1.9:1 Maximum 8-8 GHz

PHASE SHIFT: At Maximum Adjustment 20° Minimum, 25° Typical at 1 GHz. 360° Minimum, 450° Typical at 18 GHz

PHASE ADJUSTMENT: The phase is continuously adjustable with a twelve to fifteen turn screw. The large number of turns allows for accurate phase settings.

INSERTION LOSS: 1 dB Typical
1 dB Maximum 1-8 GHz
1.5 dB Maximum 8-18 GHz

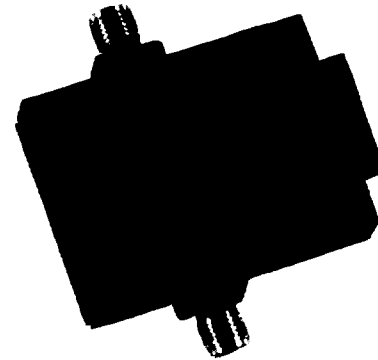
RF POWER: 3 kW Peak or 3 watts CW Operating

TEMPERATURE INFORMATION: Operating Temperature from -55°C to +85°C

CONNECTORS: SMA Standard; others on request.

NOTES:

1. Monotonicity is guaranteed for all units.
2. KDI/Triangle can provide units with larger phase shift. Mechanical dimensions may have to be increased.
3. If a narrow frequency bandwidth or less phase adjustment is required, KDI/Triangle can supply a unit that is electrically optimized for that application. Specify the frequency range and/or maximum phase shift when ordering and a special part number will be assigned.



GENERAL INFORMATION:

KDI's Manual Phase Shifters (screw driver models) are PC plug-in and can be used for systems and laboratory applications.

GENERAL SPECIFICATIONS:

Frequency Range: 2-450 MHz (any 10% Bandwidth)
Phase Shift Range: 90° min. @ Center Frequency (fc) above 10 MHz (specify)
Adjustment Type: Screwdriver, 30 turns nominal
Temperature Stability: ±3° max. 0-50°C
Maximum RF Power: 1 WCW 50 W Peak
Finish: Paint

Optional Package with 'SMA' Connectors and Mounting Flanges available.

PERFORMANCE SPECIFICATIONS

Fig.	Model No.	Center Frequency MHz	Max. I.L. @fc	Max. VSWR @fc	Phase Shift Min.
1	SFP-50-2.5	2.5	2.0 dB	1.6:1	50°
1	SFP-90-10.25	10.25	1.7 dB	1.6:1	90°
2	SFP-90-70	70	1.3 dB	1.6:1	90°
2	SFP-90-100	100	1.3 dB	1.6:1	90°
2	SFP-90-375	375	1.5 dB	1.6:1	90°

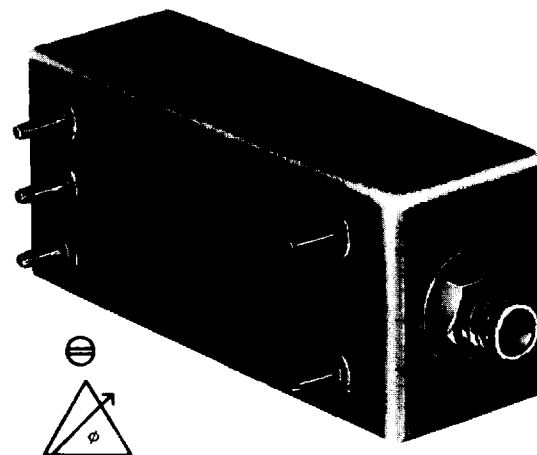
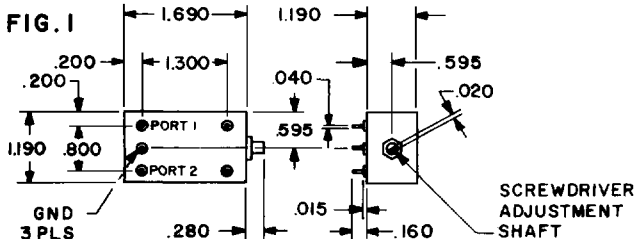
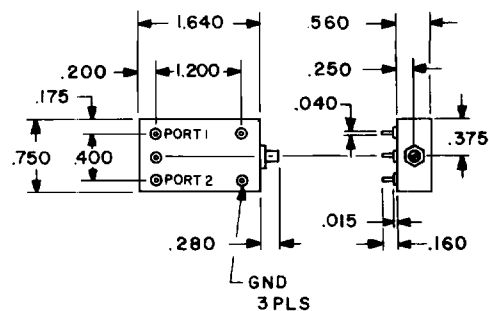


FIG. 2



**KDI/triangle
ELECTRONICS**

31 Farinella Drive • East Hanover, NJ 07936 • Phone: (201) 884-1423
TWX: (710) 986-8202 • FAX: (201) 884-0445