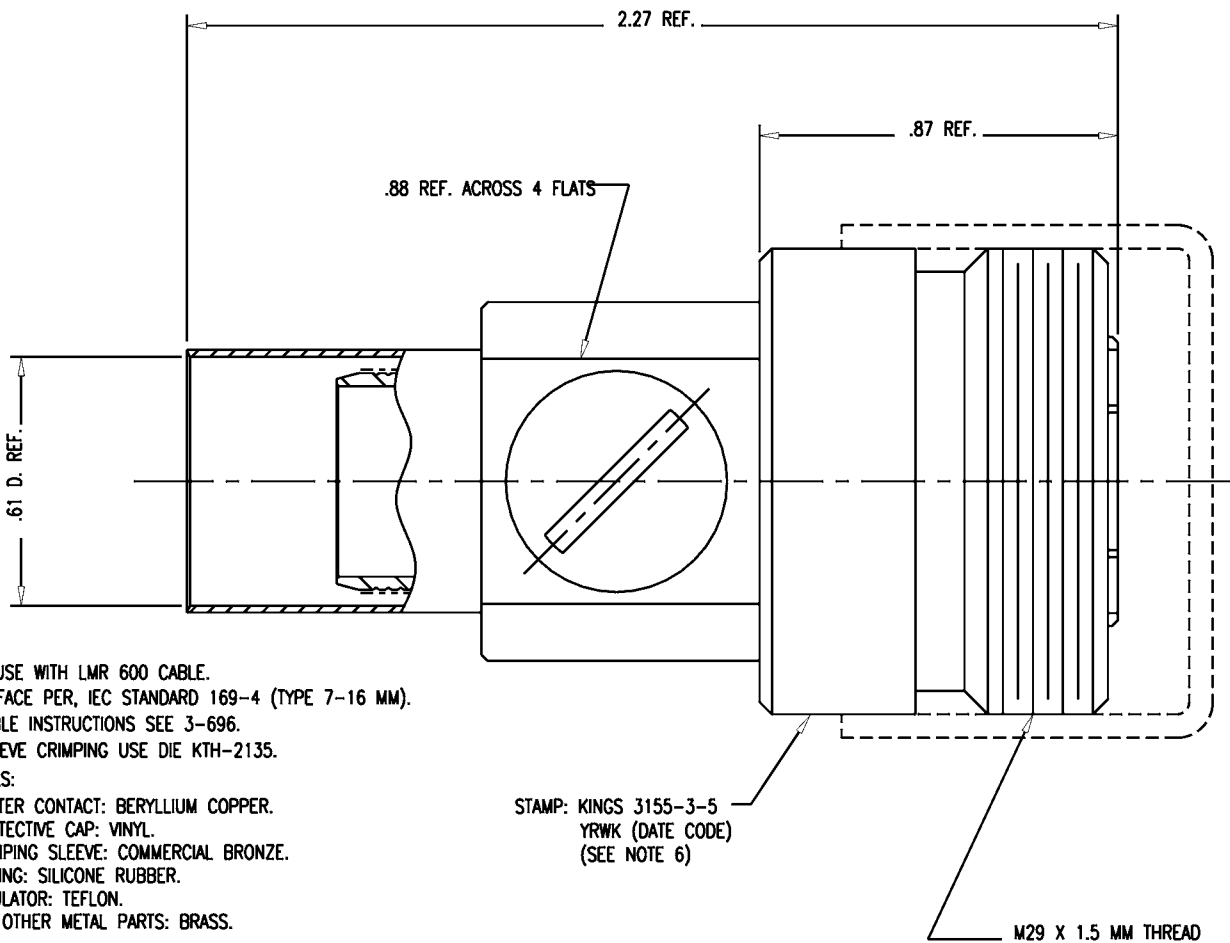


SD

REVISIONS

ISSUE	CHANGES
0	ER 38383 HVN 08/15/01

3153-2-5



NOTES:

- FOR USE WITH LMR 600 CABLE.
- INTERFACE PER, IEC STANDARD 169-4 (TYPE 7-16 MM).
- FOR CABLE INSTRUCTIONS SEE 3-696.
- FOR SLEEVE CRIMPING USE DIE KTH-2135.
- MATERIALS:
CENTER CONTACT: BERYLLIUM COPPER.
PROTECTIVE CAP: VINYL.
CRIMPING SLEEVE: COMMERCIAL BRONZE.
O RING: SILICONE RUBBER.
INSULATOR: TEFLON.
ALL OTHER METAL PARTS: BRASS.
- FINISHES:
CENTER CONTACT: SILVER PLATE.
ALL OTHER METAL PARTS: KINGS TARNISH RESISTANT WHITE BRONZE ALLOY (TR-3) OR SILVER PLATE.
FOR SILVER PLATING, ORDER PART NUMBER AS SHOWN. FOR WHITE BRONZE PLATING, ADD "MJ3" SUFFIX TO THE PART NUMBER SHOWN, FOR EXAMPLE 3155-3-5 MJ3.
- ELECTRICAL CHARACTERISTICS:
NOMINAL IMPEDANCE: 50 OHMS.
FREQUENCY RANGE: DC TO 6.0 GHz.
OPERATING VOLTAGE: 2700 VRMS.
- SUPPLIED WITH A 3 INCH LENGTH OF ADHESIVE LINED SHRINK TUBING.

STAMP: KINGS 3155-3-5
YRWK (DATE CODE)
(SEE NOTE 6)

M29 X 1.5 MM THREAD

3153-2-5S

SCALE 3:1

APPROX SURFACE AREA

WAS: E-19743

USED ON

REF:

7-16 JACK (LMR 600)

DRAWN HVN DATE 03/08/01

DESIGN LI DATE 01/04/01

APPR. DATE

KINGS
ELECTRONICS CO., INC.
ROCK HILL, SOUTH CAROLINA 29730

3153-2-5

SD