

THIS DRAWING IS UNPUBLISHED. RELEASED FOR PUBLICATION
 © COPYRIGHT 19 BY AMP INCORPORATED. ALL RIGHTS RESERVED.

LOC	DIST	REVISIONS			
P	LTR	DESCRIPTION	DATE	DWN	APVD
CE	16	REVISE PER 0A00-0648-96	12-31-96	BB	DH

1 MATERIAL:

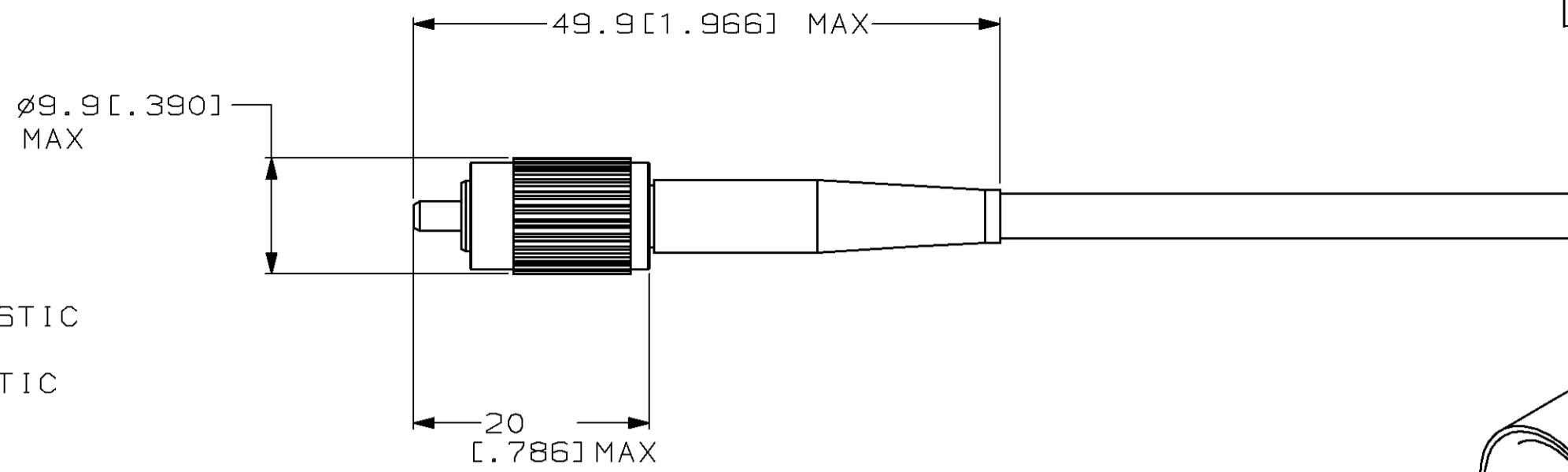
- COUPLING NUT: BRASS
- PLUG BODY: THERMOPLASTIC
- INTERNAL BODY: THERMOPLASTIC
- SPRING: STAINLESS STEEL
- FERRULE BASE: THERMOPLASTIC
- FERRULE: CERAMIC
- CRIMP EYELET: COPPER
- STRAIN RELIEF: THERMOPLASTIC ELASTOMER
- DUST COVER: THERMOPLASTIC

2 FINISH:

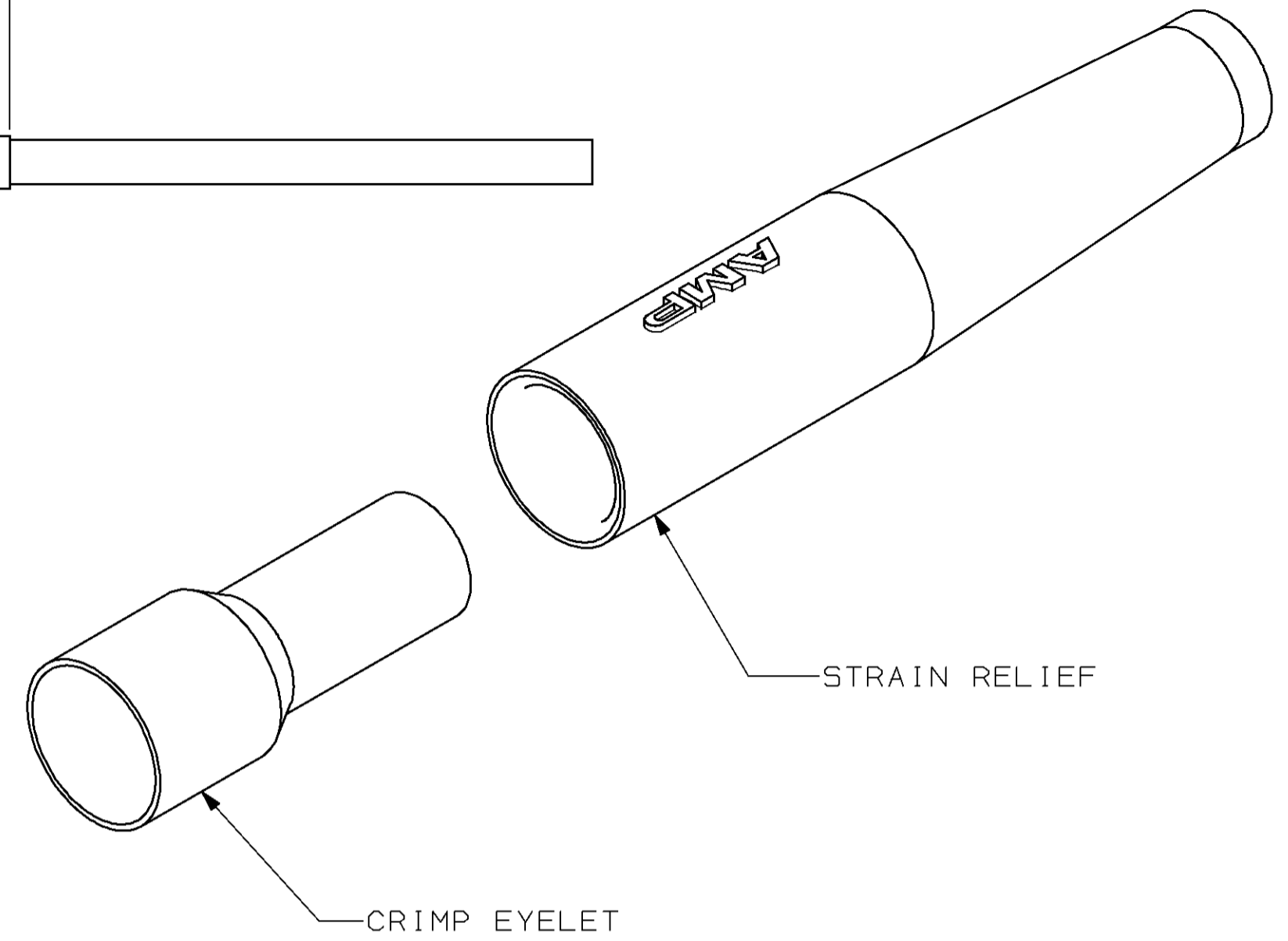
- COUPLING NUT: ELECTROLESS NICKEL
- CRIMP EYELET: BRIGHT TIN

3 BULK PACKAGE, 500 PIECES.

4. TO BE USED WITH 2.4/2.5mm "LOOSE-JACKETED" CABLE.



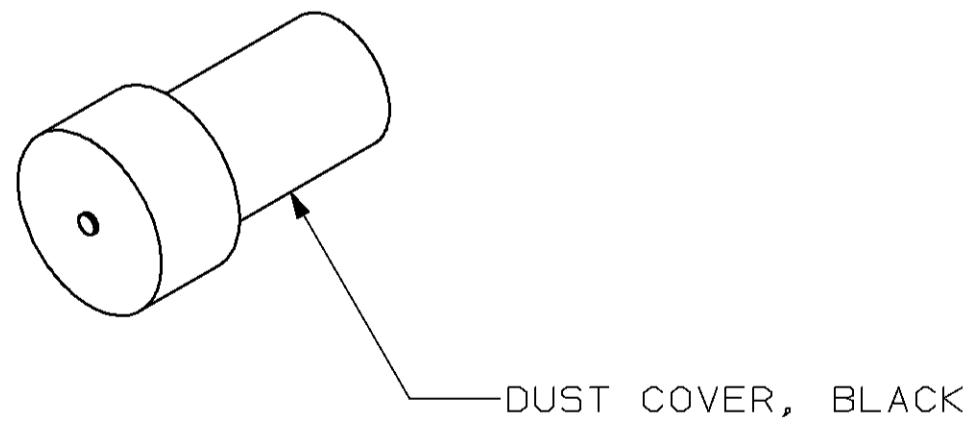
ASSEMBLED CONNECTOR



STRAIN RELIEF

CRIMP EYELET

CONNECTOR ASSEMBLY



DUST COVER, BLACK

3	YELLOW	BLUE	126 ⁺¹ / ₋₀ μm	504914-8
3	YELLOW	NATURAL	125 ⁺¹ / ₋₀ μm	504914-7
	YELLOW	BLUE	126 ⁺¹ / ₋₀ μm	504914-6
	YELLOW	NATURAL	125 ⁺¹ / ₋₀ μm	504914-5
3	BLUE	BLUE	126 ⁺¹ / ₋₀ μm	504914-4
3	BLUE	NATURAL	125 ⁺¹ / ₋₀ μm	504914-3
	BLUE	BLUE	126 ⁺¹ / ₋₀ μm	504914-2
	BLUE	NATURAL	125 ⁺¹ / ₋₀ μm	504914-1
STRAIN RELIEF COLOR		FERRULE BASE COLOR	FERRULE HOLE SIZE	PART NUMBER

<small>THIS DRAWING IS A CONTROLLED DOCUMENT FOR AMP INCORPORATED. IT IS SUBJECT TO CHANGE AND THE CONTROLLING ENGINEERING ORGANIZATION SHOULD BE CONTACTED FOR THE LATEST REVISION.</small>		DWN B.BRIGGS 3-12-96 CHK B.PARKER 3-12-96 APVD D.STAKEM 3-12-96	AMP AMP Incorporated Harrisburg, PA 17105-3608
DIMENSIONS: mm [INCHES]	TOLERANCES UNLESS OTHERWISE SPECIFIED: 0 PLC ±- 1 PLC ±- 2 PLC ±- 3 PLC ±- 4 PLC ±- ANGLES ±- FINISH -	NAME PRODUCT SPEC APPLICATION SPEC WEIGHT	CONNECTOR KIT, SINGLEMODE, FC, ONE PIECE, 2.4/2.5mm SIZE A2 CAGE CODE 00779 DRAWING NO C-504914
MATERIAL 1		CUSTOMER DRAWING	SCALE NTS SHEET 1 OF 1 REV A

- [Home](#)
- [Part Number Search](#)
- [Text Search](#)
- [Alternate Part Search](#)
- [Multiple Part Comparison](#)
- [Alphabetical Search](#)
- [Brand Search](#)
- [Industry Product Search](#)
- [Product Type Search](#)
- [Product Family Search](#)
- [Competitor Cross Reference](#)
- [Document Number Search](#)
- [Lead Free Solutions](#)
- [Help/Glossary](#)

Current Brand View

AMP

[View All Tyco Electronics Brands](#)

Click to activate links to all other products

Fiber Optic Products

FC Type and D4 Connectors

AMP

504914-1 -- 2 of 9 products

Active

[Active](#)

(Tyco Electronics P/N: 504914-1)

Previous	Next	Sales Information	AMP ACES	Step Search Screen
			Related Documents	General Information
			Pricing	Product Availability

Please use the customer drawing for all design activity.

- Customer Drawing: 504914**, Rev. A
 Document Title: CONNECTOR KIT, SINGLEMODE, FC,
 ONE PIECE, 2.4/2.5mm

[172486.pdf](#) [172486.pdf](#) (52K)

The photographs and/or line drawings below are representative images of a product for viewing purposes only.

[Product Photo](#)

Searchable Features:

Brand:	AMP
Product Type:	Connector
Product Style:	FC
Mode:	Singlemode
Fiber Size (Micron):	125
Panel Attachment:	No
Hole Size:	125 µm

Other Properties:

Boot Type:	Long
------------	------

Cable Diameter (mm [in]):	2.50 [.098]
Connector Style:	One Piece

[Copyright](#) and [Privacy Statement](#)

Visit [Tyco International, Ltd.](#)

[Products](#) | [Brands](#) | [Industries](#) | [Customer Service](#) | [About](#) | [Home](#)