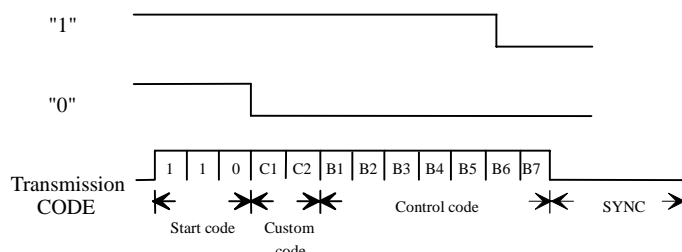


REMOTE FAN CONTROL

遙控風扇控制 IC

FEATURES 功能敘述

- 定時 TM TIMER : 0.5/1/2/4 HR.
- 速度 SP SPEED : S, M, L.
- 風類 MD MODE : NORMAL, RHYTHM, SLEEPING.
- 擺動 HD SWING : SO1, SO2.
- 電源 OFF : ON/OFF CONTROL.
- XTAL : 455 KHz.



APPLICATION 產品應用

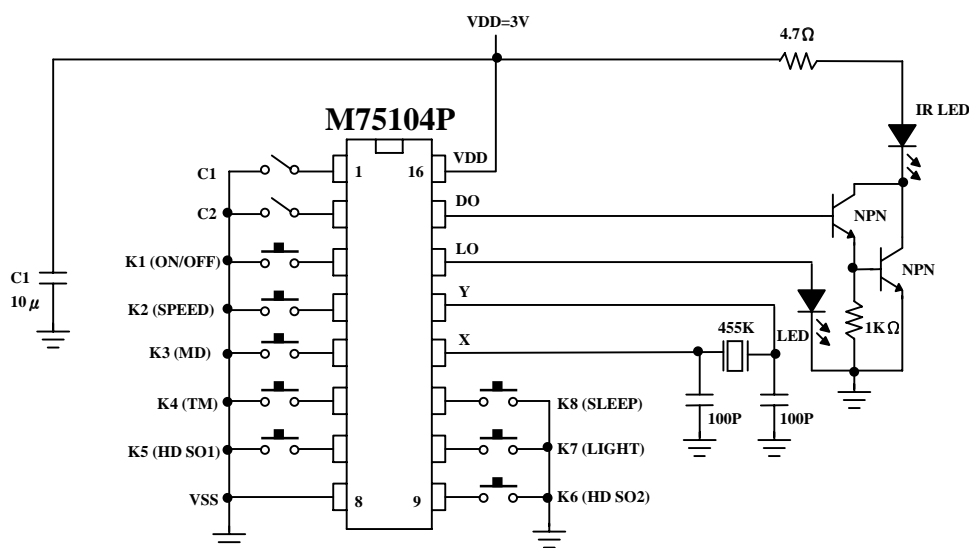
- Fan control, Light control etc..

ELECTRICAL CHARACTERISTICS 電氣規格

(@V_{SS}=-5V unless otherwise specified)

Characteristics	Sym.	Min.	Typ.	Max.	Unit	REMARKS
工作電壓 Operating Voltage	V _{SS}	-3	-5	-5.5	V	
工作電流 Operating Current	I _{OP}	—	0.1	0.5	mA	No load
靜態電流 Quiescent Current	I _{SB}	—	—	—	μA	
推動電流 Driving Current	I _{OL}	—	10	—	mA	@ V _{DS} =1.2V
振盪頻率 Oscillator Frequency	F _{OSC}	—	455	—	KHz	32768 crystal or AC
工作溫度 Operating Temperature	Temp.	0	25	60	°C	

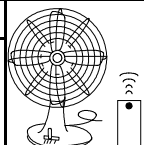
APPLICATION DIAGRAM 參考電路圖



* All specs and applications shown above subject to change without prior notice.

(以上電路及規格僅供參考,本公司得逕行修正)

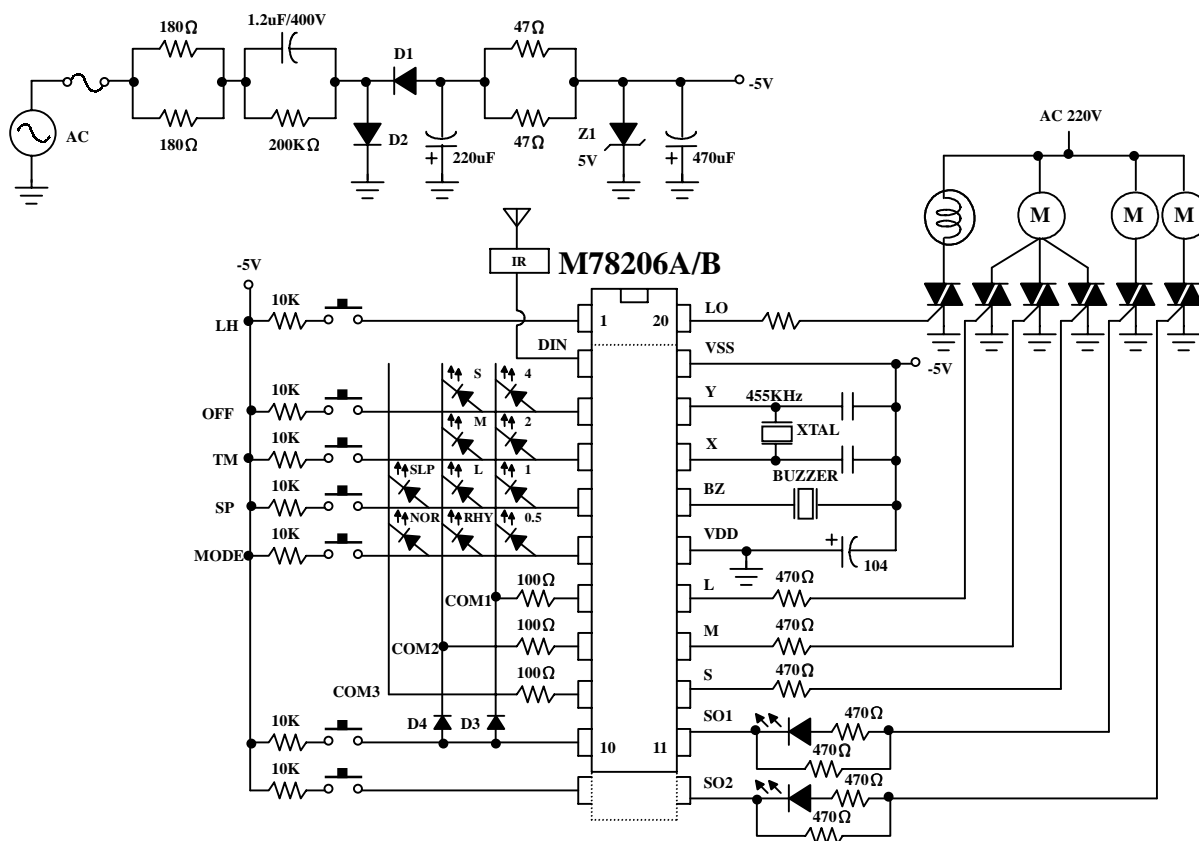


FAN CONTROL	
M75104/M78206	

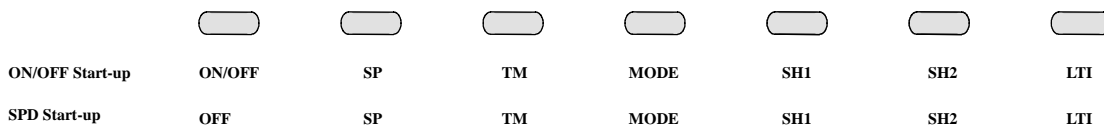
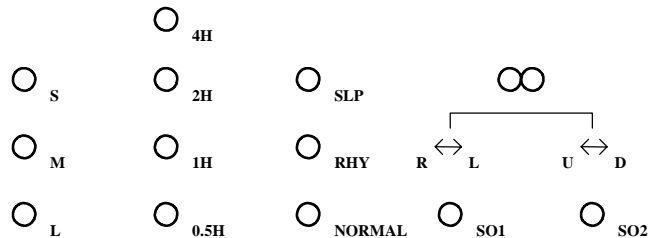
REMOTE FAN CONTROL

遙控風扇控制 IC

APPLICATION DIAGRAM 參考電路圖



D3,D4 : Custom code
"0" : Open
"1" : Connect the diode



* All specs and applications shown above subject to change without prior notice.

(以上電路及規格僅供參考,本公司得逕行修正)