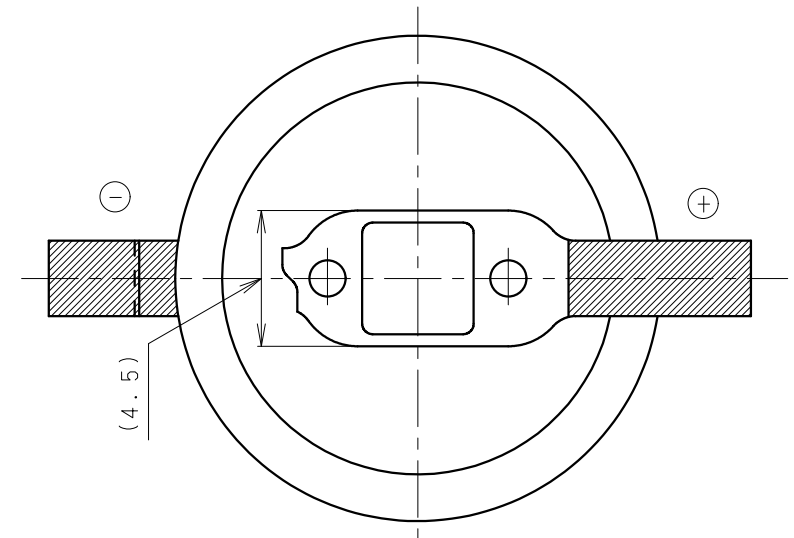
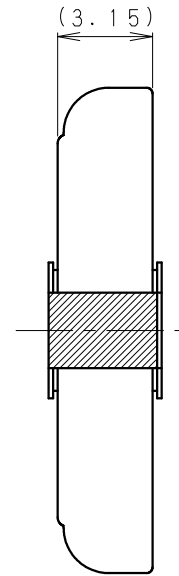
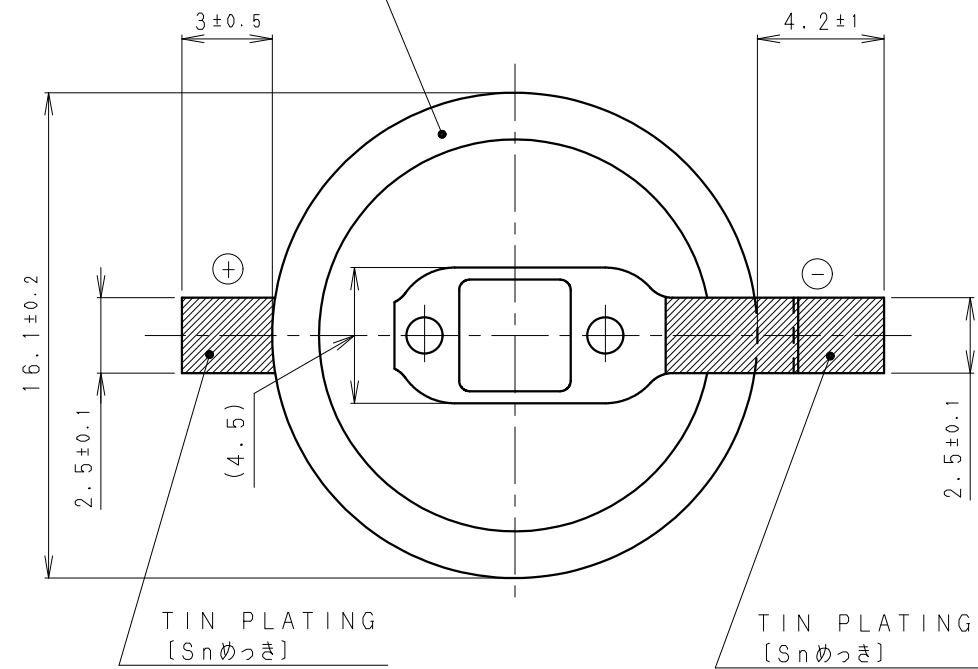
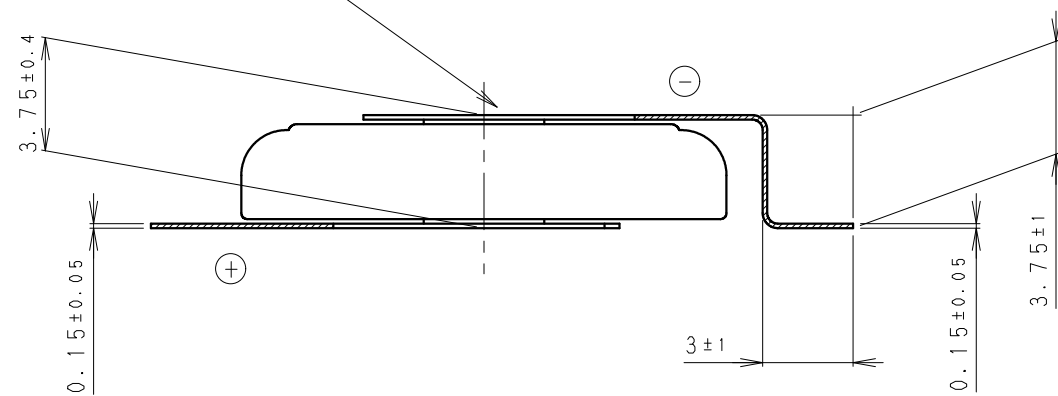


INSULATOR (YELLOW)  
[絶縁チューブ (黄色)]



DATE CODE INDICATION  
ON THIS SIDE [ロット表示面]



NOTE [注記]

1. NOMINAL VOLTAGE: 3V [公称電圧: 3V]
2. TAB WELDING STRENGTH OVER 14.7N [端子溶接強度: 14.7N以上]
3. TAB MATERIAL: STAINLESS STEEL WITH TIN PLATING [端子材料: 基材 ステンレス/表面 部分Snめっき]
4. ( ): REFERENCE DIMENSION AND ANGLE [ ( ) 寸法、角度は参考値]
5. REGARDING THE LAST CHARACTER OF PRODUCT NO.  
N MEANS INTERNATIONAL MODEL,  
K MEANS JAPANESE MODEL.  
[製品番号の末尾の文字に関して Nは海外向、Kは日本向を意味します。]

PRODUCT NO.	BR-1632/F2N(K)	SCALE	4:1
DRAWING NO.	MMFA6Z	UNIT: mm	