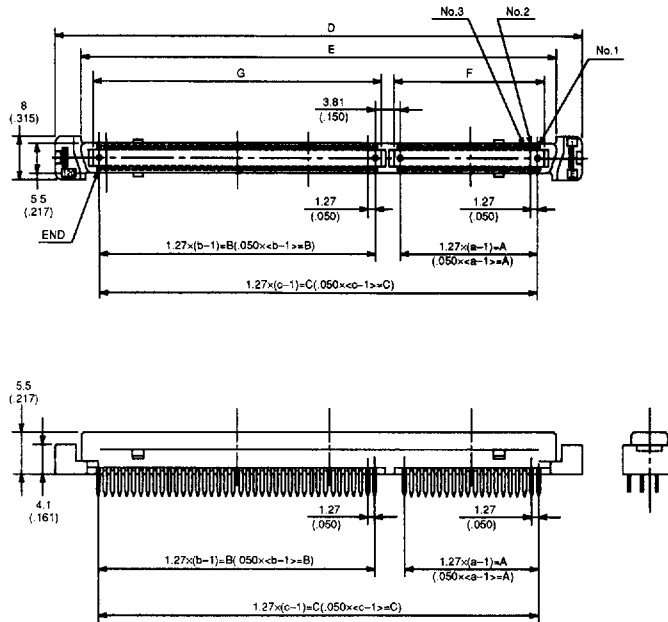


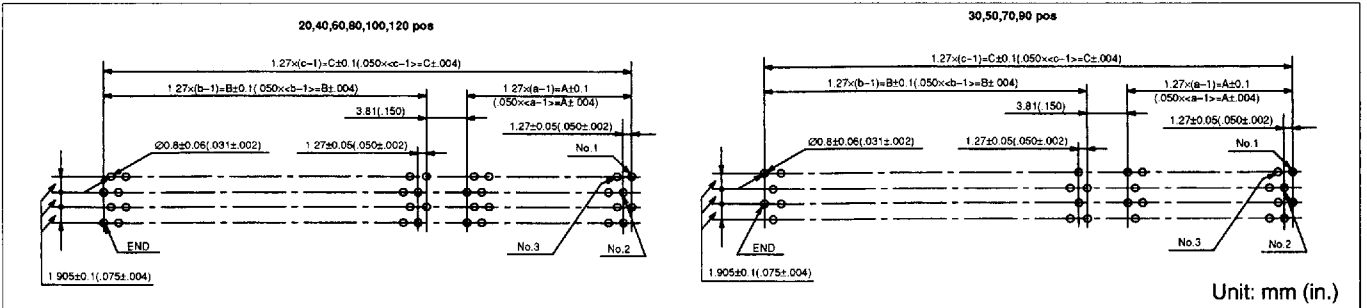
# FCN-244F\*\*\*-G/0 STRAIGHT SOCKET (for 8mm<.315in.> space)

## DIMENSIONS



Unit: mm (in.)

## MOUNTING HOLE LAYOUT (mount side)



Unit: mm (in.)

## PART NUMBERS

Pos	Part number	a	A	b	B	c	C	D	E	F	G	H
20	FCN-244F020-G/0	-	-	-	-	10	11.43	24.05	16.77	13.43	-	21.40
30	FCN-244F030-G/0	-	-	-	-	15	17.78	30.40	23.12	19.78	-	27.75
40	FCN-244F040-G/0	-	-	-	-	20	24.13	36.75	29.47	26.13	-	34.10
50	FCN-244F050-G/0	-	-	-	-	25	30.48	43.10	35.82	32.48	-	40.45
60	FCN-244F060-G/0	-	-	-	-	30	36.83	49.45	42.17	38.83	-	46.80
70	FCN-244F070-G/0	-	-	-	-	35	43.18	55.80	48.52	45.18	-	53.15
80	FCN-244F080-G/0	-	-	-	-	40	49.53	62.15	54.87	51.53	-	59.50
90	FCN-244F090-G/0	-	-	-	-	45	55.88	68.50	61.22	57.88	-	65.85
100	FCN-244F100-G/0	-	-	-	-	50	62.23	74.85	67.57	64.23	-	72.20
120	FCN-244F120-G/0	20	24.13	40	49.53	-	77.47	90.09	82.81	25.93	51.53	87.44

# FCN-244F\*\*\*-G\*, -244M\*\*\*-G/0

## FCN-240 SERIES STACKING CONNECTORS

### FEATURES

- Selectable spacing of parallel PCB connection between 8 to 14mm(0.315 to 0.551in.).
- Available in 10-pos increments between 20 and 120 pos.
- 2 rows of mating contact with 1.27mm(.050in.) of spacing pitch of adjacent contact
- 2.54x1.905mm(.100x.075in.) 4 rows staggered arrangement PCB terminal for ease of board layout.
- Bellows type contact to avoid the bend, provide reliable interconnection
- High temp. plastic

### SPECIFICATIONS

Operating Temperature Range	-55 to +105°C
Maximum allowable current	1 A DC
Maximum allowable voltage	250V AC
Contact Resistance	35 mΩ max (D6 DC, 0.1A)
Insulation Resistance	1000 MΩ min (500V AC)
Dielectric strength	750V AC for 1 minute

### MATERIALS

Insulator	Polimide Resin (UL94V-0)
Conductor material	Copper alloy
Contact Plating	Contact section: Gold
	Terminal section: Palladium

