

Amphenol

RF Interconnects

QDS 50Ω Medium Sized Posi-Lock Push-Pull Interface Coaxial Connectors

A Superior connector system where power handling and Low Inter-modulation is required.

Electrical

Impedance	- 50Ω
Frequency Range	- DC-4GHz recommended - 0-11GHz usable
VSWR	- 1.1 max @ 4GHz
Insertion Loss	- 0.8dB
Voltage rating	- 1000V peak

Materials

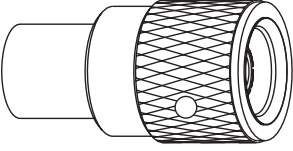
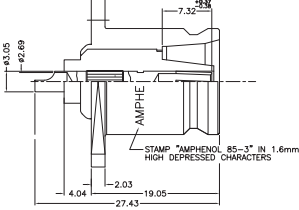
Body	- Brass
Body Finish	- White Bronze or Silver
Socket Contact	- Gold over Beryllium Copper
Male Contact	- Gold over Brass
Insulator	- Teflon
Crimp Sleeve	- Copper
Sleeve Finish	- White Bronze or Silver

Features and Benefits

Crimp/Crimp/Captive Contact	
Vibration/Shock	- Mil-STD-202
Temperature	- -40°C ~ 85°C
Durability	- 500 Cycles

Applications

Base Station, Switching Equipment, Cable Assemblies, Telecom and Components

	Diagram not available at the time of printing		Diagram not available at the time of printing
Straight Plug	Right Angle Plug	Panel Receptacle Jack	Bulkhead Jack
Part Number 85-1	Part Number 85-2	Part Number 85-3	Part Number 85-4

SlimLine BNC 750Ω High Density Version of the Standard BNC (mini BNC)

Up to 40% more interconnects in the same area as the standard BNC without sacrificing the positive characteristics of the BNC.

Electrical

Impedance	- 75Ω
Frequency Range	- DC-1GHz
VSWR	- 1.16 max @ 1GHz
RF Leakage	- -22.61dB @ 1GHz
Insertion Loss	- 0.1dB up to 1GHz
Working Voltage	- 400 VAC peak

Materials

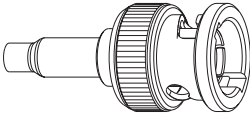

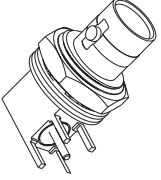
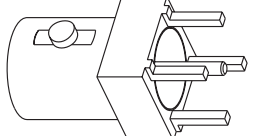
Body	- Nickel over Brass or Zinc
Bayonet	- Nickel over Brass or Zinc
Insulator	- PTFE
Spring Finger	- Beryllium Copper
Gasket	- Silicone
Spring Washer	- Beryllium Copper
Washer	- Nickel over Brass
Crimp Sleeve	- Nickel over Brass

Features and Benefits

Temperature	- -40°C ~ 85°C
Durability	- 500 Cycles
Termination	- Crimp/Crimp

Applications

Antennas, Medical Equipment, Networks, Automotive Computers/LAN, Mil/Aero, Oscilloscopes, Surge Protection, Various Telecommunication and instrumentation

			
Crimp/Crimp Straight Plug	Crimp/Crimp Straight B/H Jack	Right Angle PCB B/H Jack	Straight PCB Jack
Part Number 31-70261	Part Number 31-70252	Part Number 31-6055	Part Number 31-70249
Description RG179/187	Description AT&T 735		

Mini TNC 75Ω High Density Version of the Standard TNC

Up to 40% more interconnects in the same area as the standard BNC without sacrificing the positive characteristics of the BNC.

Electrical

Impedance	- 75Ω
Frequency Range	- DC-1GHz
VSWR	- 1.16 max @ 1GHz
RF Leakage	- -22.61dB @ 1GHz
Insertion Loss	- 0.1dB up to 1GHz
Working Voltage	- 400 VAC peak

Materials

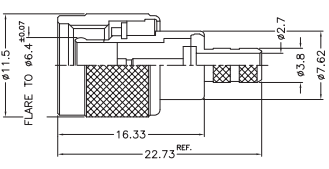
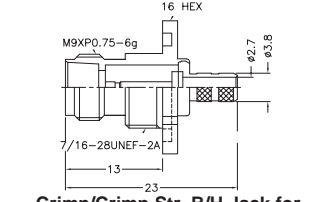
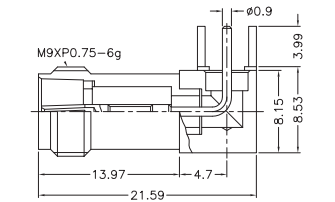
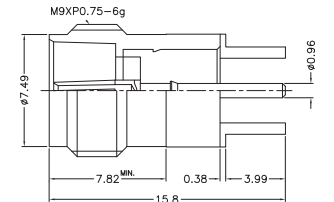
Body	- Nickel over Brass or Zinc
Bayonet	- Nickel over Brass or Zinc
Insulator	- PTFE
Spring Finger	- Beryllium Copper
Gasket	- Silicone
Spring Washer	- Beryllium Copper
Washer	- Nickel over Brass
Crimp Sleeve	- Nickel over Brass

Features and Benefits

Temperature	- -40°C ~ 85°C
Durability	- 500 Cycles
Termination	- Crimp/Crimp

Applications

Antennas, Medical Equipment, Networks, Automotive Computers/LAN, Mil/Aero, Oscilloscopes, Surge Protection, Various Telecommunication and instrumentation

			
Crimp/Crimp Straight Plug for RG179/187	Crimp/Crimp Str. B/H Jack for RG179/187	Right Angle PCB Jack	Straight PCB Jack
Part Number MNT1121E1-NT3G-179U-75	Part Number MNT6421E1-NT3G-179U-75	Part Number MNT6252A1-002-3GT30G-75	Part Number MNT6251A1-001-3GT30G-75

RF/ARFA