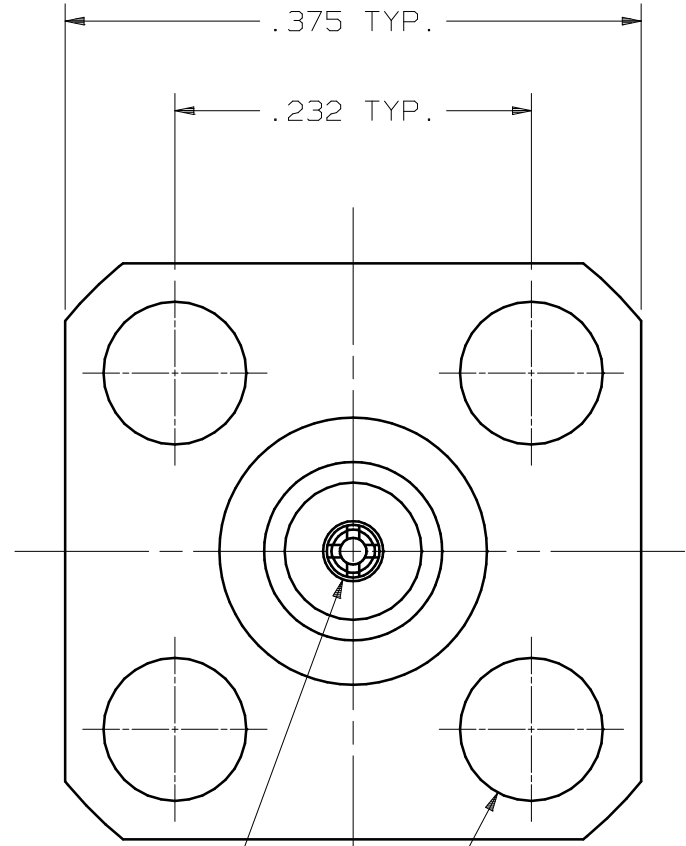
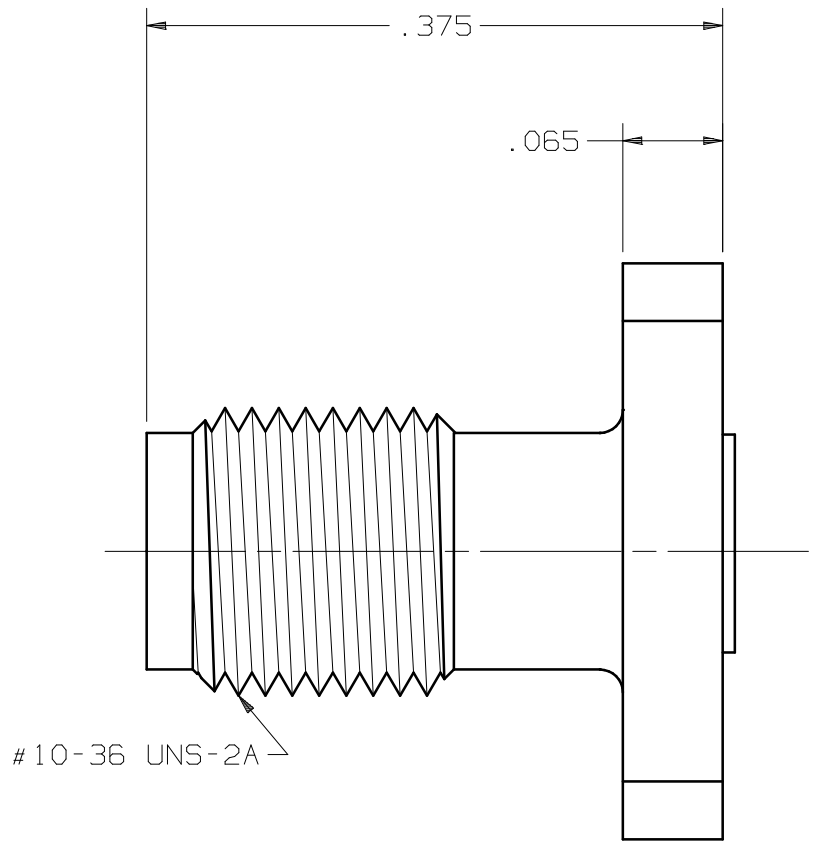


PRODUCT DATA DRAWING



FEMALE SOCKET
ACCEPTS .017/.014
DIA. X .100 MAX.
LONG PIN

MATERIAL:

BODY: STAINLESS STEEL PER AMS-5640, UNS S30300, TYPE I
 CONTACT: BERYLLIUM COPPER PER ASTM-B-196, ALLOY C17300, COND. TD04
 INSULATOR: TEFLON PER ASTM-D-1457
 EMI GASKET: SILVER CONDUCTIVE SILICONE RUBBER

FINISH:

BODY: GOLD PER MIL-G-45204, TYPE I, GRADE C, CLASS 0; OVER NICKEL PER QQ-N-290, CLASS 1
 CONTACT: GOLD PER MIL-G-45204, TYPE I, GRADE C, CLASS 0; OVER NICKEL PER QQ-N-290, CLASS 1

PERFORMANCE:

IMPEDANCE: 50 OHMS
 DWV: 750 VRMS
 FREQ. RANGE: DC-40.0 GHz
 INSUL. RES.: 5000 MEGOHMS, MIN.

SYM.	DESCRIPTION	DATE	APPR.	UNLESS OTHERWISE SPECIFIED: 1) ALL DIMENSIONS ARE AFTER PLATING. 2) BREAK CORNERS & EDGES .005 R. MAX. 3) CHAM. 1st & LAST THDS. 4) SURFACE ROUGHNESS 63 J MIL-STD-10. 5) DIAS. ON COMMON CENTERS TO BE CONCENTRIC WITHIN .005 T.I.R. 6) REMOVE ALL BURRS.	DIMENSIONS ARE IN INCHES			SV Microwave, Inc. 2400 Centrepark West Drive, Suite 100 West Palm Beach, FL 33409 TITLE: SSMA 40 GHz JACK 4-HOLE FLANGE MNT ACCEPT .017/.014 PIN
-	REL. DCN 30387	09/03	STW		DECIMALS .X ±.030 .XX ±.015 .XXX ±.005	FRACTIONAL ±1/64	ANGULAR X° ±1°0' X°X' ±15'	
				DRAWN: MEB 09/17/03	MATERIAL: SEE ABOVE		□" AREA: N/A	DWG. NO. 2750-6404
				CHECKED: STW 09/17/03	SIZE	CAGE NO.	SCALE	
				APPROVED: STW 09/17/03	B	95077	8X	