

Ordering Code:


CU07 24 S \* H D G - A  
 ① ② ③ ④ ⑤ ⑥ ⑦ ⑧

- ① Series No.
- ② Contacts: 24= 24+Key
- ③ Contact type: S= Socket
- ④ Plating code:  
 A= Selective Gold flash plated over 1.27 μm(50 μ") Nickel  
 B= Selective 0.38 μm(15 μ") Gold plated over 1.27 μm(50 μ") Nickel  
 C= Selective 0.76 μm(30 μ") Gold plated over 1.27 μm(50 μ") Nickel
- ⑤ Tail style: H= Right angle
- ⑥ Product type: D= Digital Type
- ⑦ Option: G= Attach #4-40 UNC Hex screw
- ⑧ Option: -A= Alloy steel shell

Lead Free Process

RoHS Compliant

CIVILUX CORP  
 2021.02.18  
 ISSUED

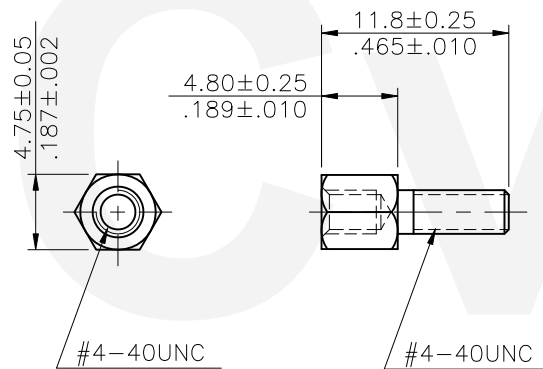
④					DATE	UNIT: mm / inch	TITLE: DVI R/A RECEPT. CONN. (INTEGRATED TYPE 24+key)	 瀚荃股份有限公司 CviLux Corporation
③					DRAWN BY: Karen	TOLERANCE UNLESS OTHERWISE SPECIFIED	MATERIAL:	
②					ENGINEER: Sun	.X ±	.X' ± 1'	DRAWING NO. CU0744SB PART NO. CU0724S*HDG-A
①	Karen	2/03-21'	ECNT121053		CHECKED BY: Eisley	.XX ± 0.25/.010	.X' ±	
SYM	NAME	DATE	REVISIONS		APPROVED BY: Eisley	.XXX ± 0.13/.005	.XX' ±	SCALE 2 / 1 SHEET 1 OF 2

NOTES: \* Materials:

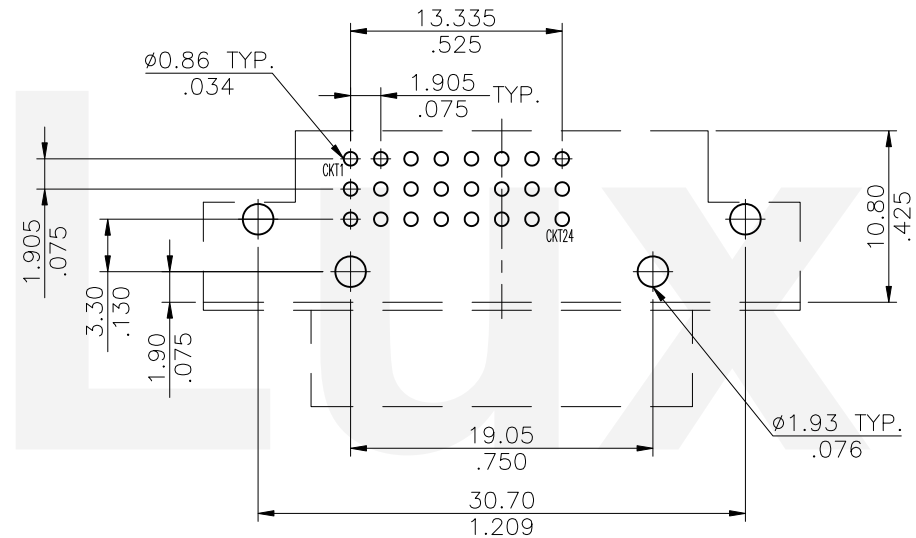
- Housing: PBT, UL 94V-0, Color: Ivory.
- △ Bracket: PA66, UL 94V-0, Color Ivory
- Terminal: Copper Alloy.  
Gold Plated over Nickel at Contact Area.  
Tin Plated over Nickel at Solder Area.
- Shell: SPCC with Nickel Plated.
- Boardlock: Steel with Tin Plated.
- Rivet: Copper Alloy with Nickel Plated.
- △ Screw: Copper Alloy with Nickel Plated.
- \* For Lead Free wave flow process.

SPECIFICATIONS

- \* Voltage: 40 VAC(RMS) Max.
- \* Current Rating: 1.5 Ampere per Contact
- \* Contact Resistance: 20 Milliohms Max.
- \* Insulation Resistance: 1000 Megohms Min.
- \* Dielectric Withstanding Voltage: 500V DC(RMS)
- \* Total Mating Force: 4.5 Kgf Max.
- \* Total Unmating Force: 1.0 Kgf Min.
- △ \* Operating Temperature: -55°C to +85°C



P/N:CDHWE101S00




Recommended P.C Board Layout

Tolerance: ±0.05mm

Lead Free Process

RoHS Compliant



4					DATE	UNIT: mm / inch	TITLE: DVI R/A RECEPT. CONN. (INTEGRATED TYPE 24+key)	 瀚荃股份有限公司 CviLux Corporation
3				DRAWN BY: Karen	2/5-21'	TOLERANCE UNLESS OTHERWISE SPECIFIED	MATERIAL:	
2				ENGINEER: Sun	2/8-21'	.X ±	.X' ± 1'	DRAWING NO. CU0744SB PART NO. CU0724S*HDG-A
1	Karen	2/03-21'	ECNT121053	CHECKED BY: Eisley	2/9-21'	.XX ± 0.25/010	.X' ±	
SYM	NAME	DATE	REVISIONS	APPROVED BY: Eisley	2/9-21'	.XXX ± 0.13/005	.XX' ±	SHEET 2 OF 2