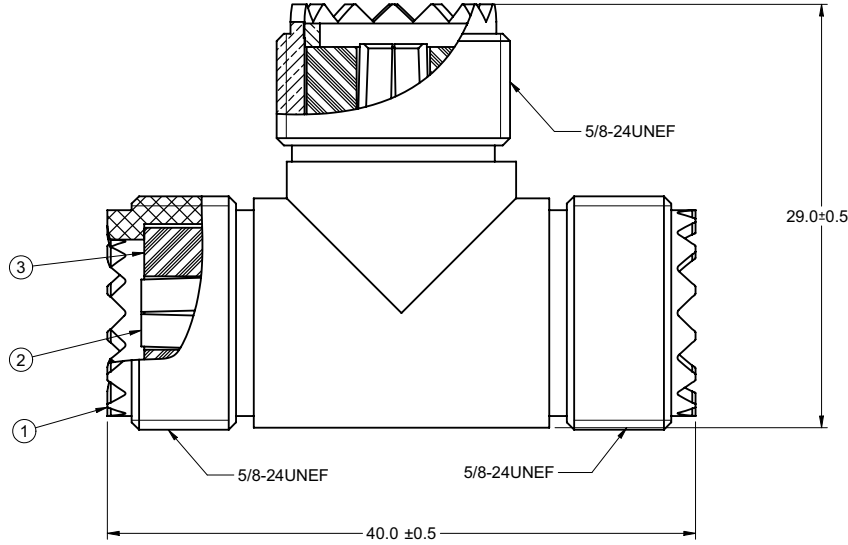


PART NUMBER	ITEM ① BODY	ITEM ② CONTACT	ITEM ③ INSULATOR
25-7354	ZINC NICKEL PLATED	BERYLLIUM NICKEL PLATED	DELTRIN

受控 CONTROLLED DOCUMENT			
编号 P/N	25-7354	版本 Rev	0A
日期 Rel'd Date	Mar 24,08		

DRAWING NO. 25-7354	
REVISIONS	
RELEASE FOR QUATION	
A	01-05-07 Y W T



NOTES:

1. ELECTRICAL SPECIFICATIONS
 IMPEDANCE: NON-CONSTANT
 FREQUENCY RANGE: 0-500 MHz
 WORKING VOLTAGE: 500 Vrms MAX AT SEA LEVEL
 DIELECTRIC WITHSTANDING VOLTAGE: 1500 vrms AT SEA LEVEL
 INSULATION RESISTANCE: 5000 MEGOHMS MINIMUM
2. MECHANICAL SPECIFICATIONS
 DURABILITY: 500 CYCLES MIN
3. ENVIRONMENTAL SPECIFICATIONS
 RECOMMENDED TEMPERATURE RANGE: -55 °C TO +85 °C
 MOISTURE RESISTANCE: MIL-STD-202
4. PRODUCT SHOULD BE RoHS COMPLIANCE.
5. PACKAGING REQUIREMENT FOLLOWS ENGINEERING DOCUMENT P/N 836-4020001XX

THIS DRAWING TO BE INTERPRETED
PER ANSI Y 14.5M - 1994

COMPANY CONFIDENTIAL

TOLERANCE UNLESS OTHERWISE SPECIFIED		DRAWN BY	DATE
		BETTY.YU	01-05-07
DECIMALS	mm	CHECKED BY	DATE
X	± 0.5	LINDA.WU	01-05-07
X.X	± 0.2	APPROVED BY	DATE
X.XX	± 0.1	THOMAS	01-05-07
ANGLES	± 0.5°	U/M	mm

EMERSON Network Power		Connectivity Solutions	
TITLE UHF 3 FEMALE T "ADAPTER"			
SHEET 1 OF 2	DRAWING NO. 25-7354	SIZE C	

THIS DRAWING WAS PRODUCED BY COMPUTER,
DO NOT SCALE DRAWING OR UPDATE MANUALLY.