

1-57051-2 ✓ ACTIVE

## MADISON CABLE

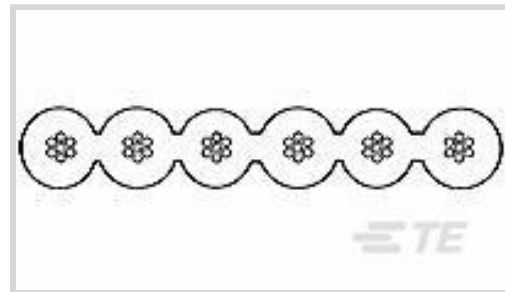
TE Internal #: 1-57051-2

Ribbon & Flat Cable, 44 Conductor, PVC, Operating Temperature Range -20 – 105 °C, Ribbon & Flat Cable Length 500 ft [152.4 m], Gray, Tinned Copper

[View on TE.com >](#)



Wire & Cable > Ribbon & Flat Cable



Number of Ribbon & Flat Cable Conductors: **44**

Ribbon & Flat Cable Shielded: **No**

Ribbon & Flat Cable Insulation Material: **PVC**

Operating Temperature Range: **-20 – 105 °C**

Ribbon & Flat Cable Length: **152.4 m [ 500 ft ]**

### Features

#### Product Type Features

Product Category	Ribbon Cable
Product Type	Cable
Wire/Cable Type	Ribbon Cable
Product Classification	Cable - Flat Ribbon
Ribbon & Flat Cable Shielded	No

#### Configuration Features

Number of Ribbon & Flat Cable Conductors	44
Number of Strands	7

#### Electrical Characteristics

Propagation Delay	1.58 ns/ft
Current Rating	2 A
Capacitance	60.0423 pF/m[18.3 pF/ft]
Impedance	80 Ω
Ribbon & Flat Cable Voltage Rating	150 V

#### Signal Characteristics

Cross Talk (Far End)	6 %
Cross Talk (Near End)	4 %

#### Body Features



Jacket Color	Gray
Jacket Material	PVC
Ribbon & Flat Cable Insulation Material	PVC
Conductor Insulation Color	Gray
Ribbon & Flat Cable Conductor Material	Tinned Copper

### Housing Features

Ribbon & Flat Cable Centerline	1 mm[.039 in]
--------------------------------	---------------

### Dimensions

Cable Insulation Height	.79 mm[.031 in]
Cable Insulation Width	44 mm[1.732 in]
Ribbon & Flat Cable Length	152.4 m[500 ft]
Wire Size	.08 mm <sup>2</sup>
Strand Size	28 AWG

### Usage Conditions

Operating Temperature Range	-20 – 105 °C
-----------------------------	--------------

### Industry Standards

UL Listing	AWM Style 2678
------------	----------------

### Packaging Features

Packaging Method	Reel
Packaging Quantity	30.48 m[500 ft]

### Product Compliance

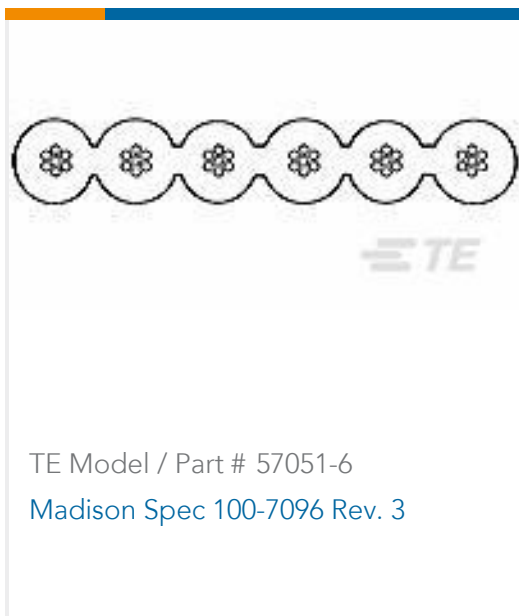
[For compliance documentation, visit the product page on TE.com>](#)

EU RoHS Directive 2011/65/EU	Not Yet Reviewed
EU ELV Directive 2000/53/EC	Not Yet Reviewed
China RoHS 2 Directive MIIT Order No 32, 2016	No Restricted Materials Above Threshold
EU REACH Regulation (EC) No. 1907/2006	Current ECHA Candidate List: JUN 2020 (209) Candidate List Declared Against: JUL 2017 (174) Does not contain REACH SVHC
Halogen Content	Not Low Halogen - contains Br or Cl > 900 ppm.
Solder Process Capability	Not applicable for solder process capability

Product Compliance Disclaimer

This information is provided based on reasonable inquiry of our suppliers and represents our current actual knowledge based on the information they provided. This information is subject to change. The part numbers that TE has identified as EU RoHS compliant have a maximum concentration of 0.1% by weight in homogenous materials for lead, hexavalent chromium, mercury, PBB, PBDE, DBP, BBP, DEHP, DIBP, and 0.01% for cadmium, or qualify for an exemption to these limits as defined in the Annexes of Directive 2011/65/EU (RoHS2). Finished electrical and electronic equipment products will be CE marked as required by Directive 2011/65/EU. Components may not be CE marked. Additionally, the part numbers that TE has identified as EU ELV compliant have a maximum concentration of 0.1% by weight in homogenous materials for lead, hexavalent chromium, and mercury, and 0.01% for cadmium, or qualify for an exemption to these limits as defined in the Annexes of Directive 2000/53/EC (ELV). Regarding the REACH Regulation, the information TE provides on SVHC in articles for this part number is based on the latest European Chemicals Agency (ECHA) 'Guidance on requirements for substances in articles' posted at this URL: <https://echa.europa.eu/guidance-documents/guidance-on-reach>

### Compatible Parts



TE Model / Part # 57051-6  
Madison Spec 100-7096 Rev. 3

### Customers Also Bought



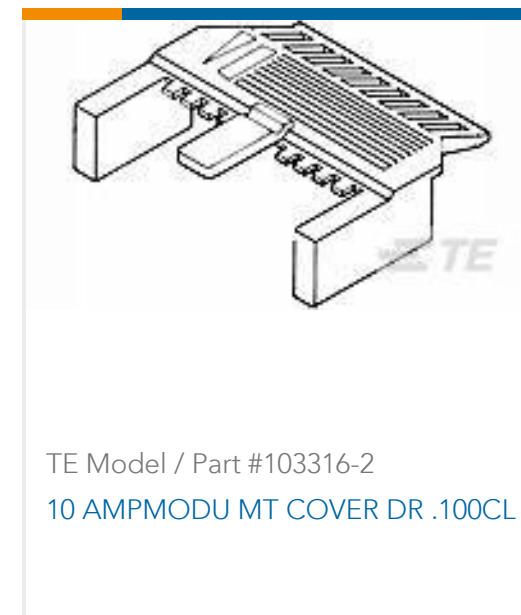
TE Model / Part #2176304-3  
RP 1E 0.1W 10R5 0.1% 25PPM 5K RL



TE Model / Part #T1319320120-000  
H32A-TS-M20



TE Model / Part #1-111623-0  
044 2MM CTR 30DP FT



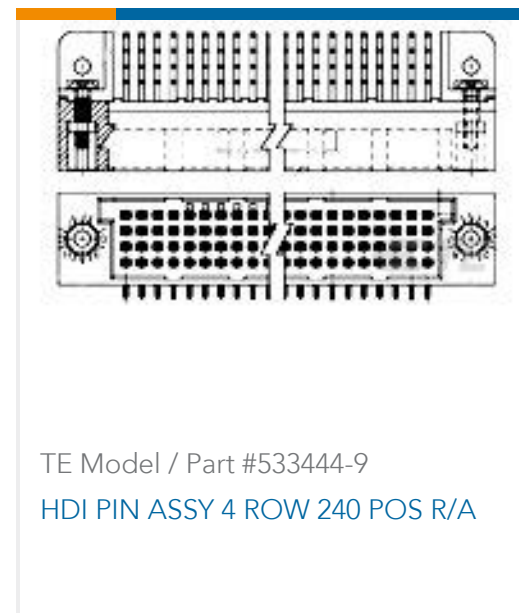
TE Model / Part #103316-2  
10 AMPMODU MT COVER DR .100CL



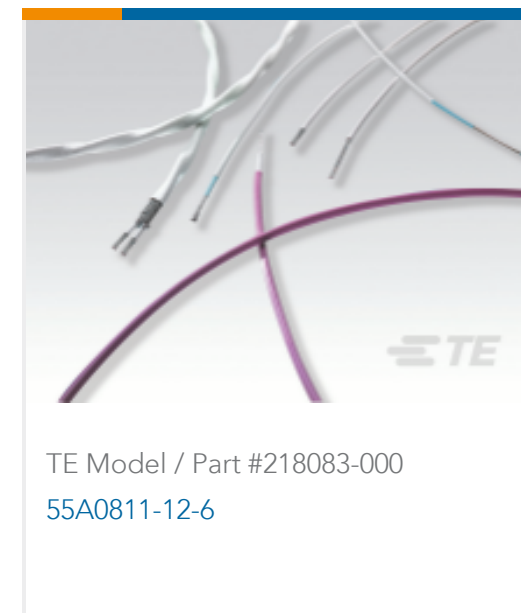
TE Model / Part #4-1393659-5  
V42254B1202R960=PC612 MESSERLE



TE Model / Part #5-1437667-8  
4DB-P207-05=4DB ASSEMBLY



TE Model / Part #533444-9  
HDI PIN ASSY 4 ROW 240 POS R/A



TE Model / Part #218083-000  
55A0811-12-6



TE Model / Part #  
YACT20MD35JNV00100  
SQUARE FLANGE RECEPTACLE



TE Model / Part #3-2176067-2  
CRG0201 1% 44R2

## Documents

### Product Drawings

[Madison Spec 100-7096 Rev. 3](#)

English

---

### Product Specifications

[Product Specification](#)

English