



Sprite AC - SU2A7 - 030272
 (Family) (Model) (Part Number)

Electrical Specifications

Rated Voltage:	115 VAC
AC Frequency:	60 Hz
Power Supply:	11.0 Watts
Line Current:	0.15 Amps
Locked Rotor Current	0.22 Amps
Nominal Speed:	3250 RPM

Mechanical Specifications

Dimensions:	3.15in x 1.65in
Weight	18.0 oz
Max Airflow @ 0 in H ₂ O	34.0 CFM
Max Pressure @ 0 CFM	0.149 in H ₂ O
Noise	40.3 dBA



North American Sales Office

Phone: +1 (972) 644 5591
 sales@comairrotron.com

European Sales Office

Phone: +44 7595 221168
 saleseurope@comairrotron.com

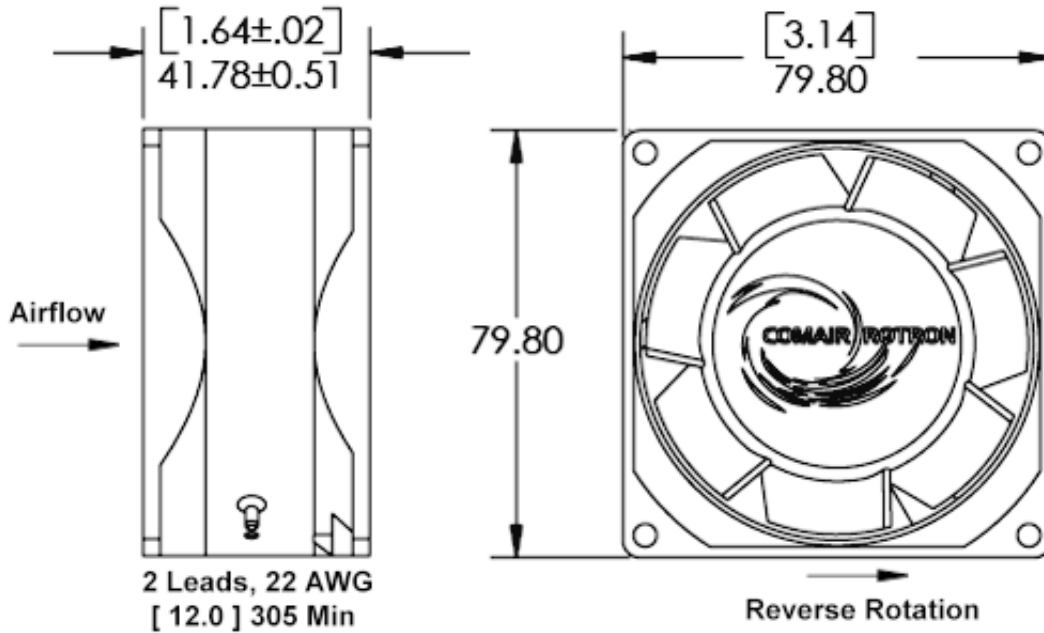
Asian Sales Office

Phone: +86 21 623 91966
 salesasia@comairrotron.com

Print Date: Thursday, March 22, 2012 at 23:29:47 - AC Fan Datasheet - Web Version 1.0 Rev. A



Mechanical Drawing



Options

Part Number	Model Number	Bearing Type	Fan Rotation	Termination	In-Stock <small>(Click 'Yes' for current stock)</small>
<input type="radio"/> 028268	SU2B1	Ball	Normal	Leads, Venturi	No
<input type="radio"/> 028410	SU2B5	Ball	Normal	Terminals, Venturi	No
<input type="radio"/> 028267	SU2A1	Sleeve	Normal	Leads, Venturi	No
<input type="radio"/> 028279	SU2A5	Sleeve	Normal	Terminals, Venturi	No
<input checked="" type="radio"/> 030272	SU2A7	Sleeve	Reverse	Leads, Venturi	No
<input type="radio"/> 030458	SU2A9	Sleeve			