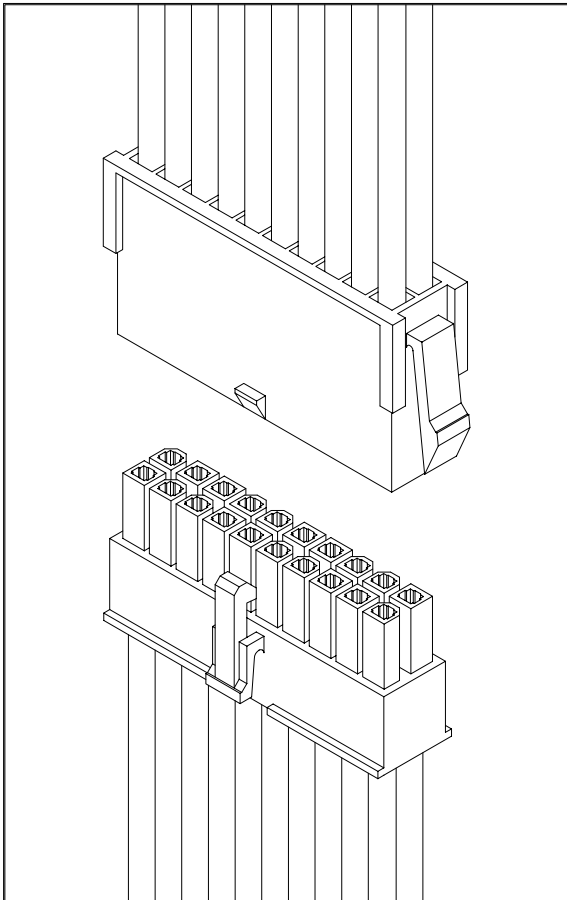
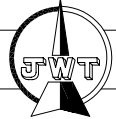
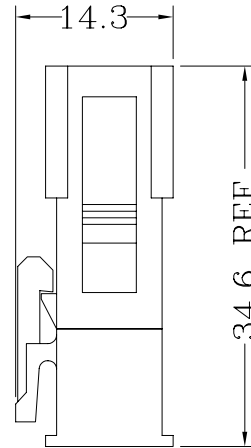


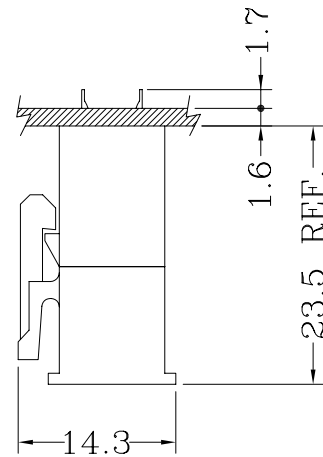
C4201/C4202 Series 4.20mm pitch wire to wire and wire to board connector



Assembly Layout
Wire To Wire Type



Wire To Board Type



Specifications:

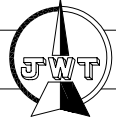
Poles	2~24 Poles
Pitch between poles	4.20mm
Rated Voltage	250V AC,DC
Rated Current	3~7A
Withstand Voltage	1500V AC/minute
Contact Resistance	10mΩ (MAX.)
Insulation Resistance	1,000MΩ (MIN.)
Temperature Range	-25~+85°C
Applicable Panel Thickness	0.8~2.0mm
Applicable Wire Range	AWG #16~#22

UL:Recognized No. E144544

CSA:Certified No. LR78619

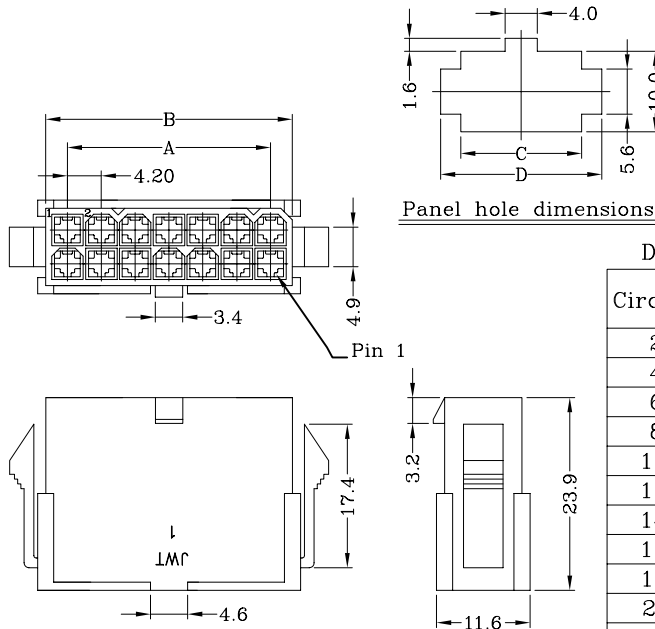


C4201 Series 4.20mm pitch crimp terminal socket



Features:

- * Available in 2 through 24 circuits
- * Material: Nylon 66 UL 94V-0 (White) or UL 94V-2 (Natural)
- * Suitable for JWT C4201 series terminal
- * Mates with JWT C4202 receptacle series



Panel hole dimensions

NOTE:

Material: Replace * with
 C4201H0*-2xNP
 0=Nylon 66 UL 94V-0
 2=Nylon 66 UL 94V-2

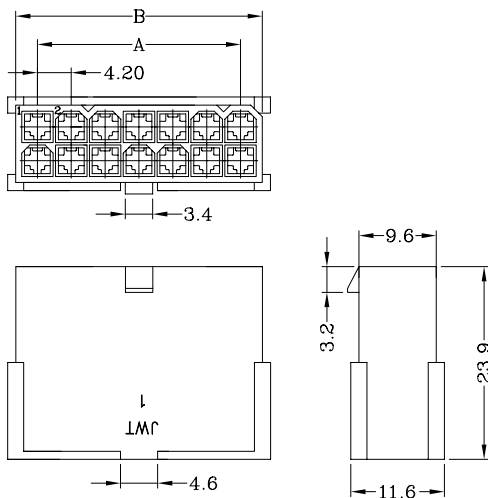
Dimensional & Ordering Information:

Circuits	Part No	Dimensions				PCS/BAG
		A	B	C	D	
2	C4201H0*-2x1P	-	5.40	6.00	11.00	1000
4	C4201H0*-2x2P	4.20	9.60	10.20	15.20	1000
6	C4201H0*-2x3P	8.40	13.80	14.40	19.40	1000
8	C4201H0*-2x4P	12.60	18.00	18.60	23.60	500
10	C4201H0*-2x5P	16.80	22.20	22.80	27.80	500
12	C4201H0*-2x6P	21.00	26.40	27.00	32.00	500
14	C4201H0*-2x7P	25.20	30.60	31.30	36.20	500
16	C4201H0*-2x8P	29.40	34.80	35.50	40.40	400
18	C4201H0*-2x9P	33.60	39.00	39.70	44.60	300
20	C4201H0*-2x10P	37.80	43.20	43.90	48.80	300
22	C4201H0*-2x11P	42.00	47.40	48.10	53.00	250
24	C4201H0*-2x12P	46.20	51.60	52.30	57.20	250

C4201 Series 4.20mm pitch crimp terminal socket

Features:

- * Available in 2 through 24 circuits
- * Material: Nylon 66 UL 94V-0 (White) or UL 94V-2 (Natural)
- * Suitable for JWT C4201 series terminal
- * Mates with JWT C4202 receptacle series



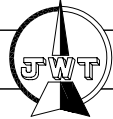
NOTE:

Material: Replace * with
 C4201H0*-2xNPNL
 0=Nylon 66 UL 94V-0
 2=Nylon 66 UL 94V-2

Dimensional & Ordering Information:

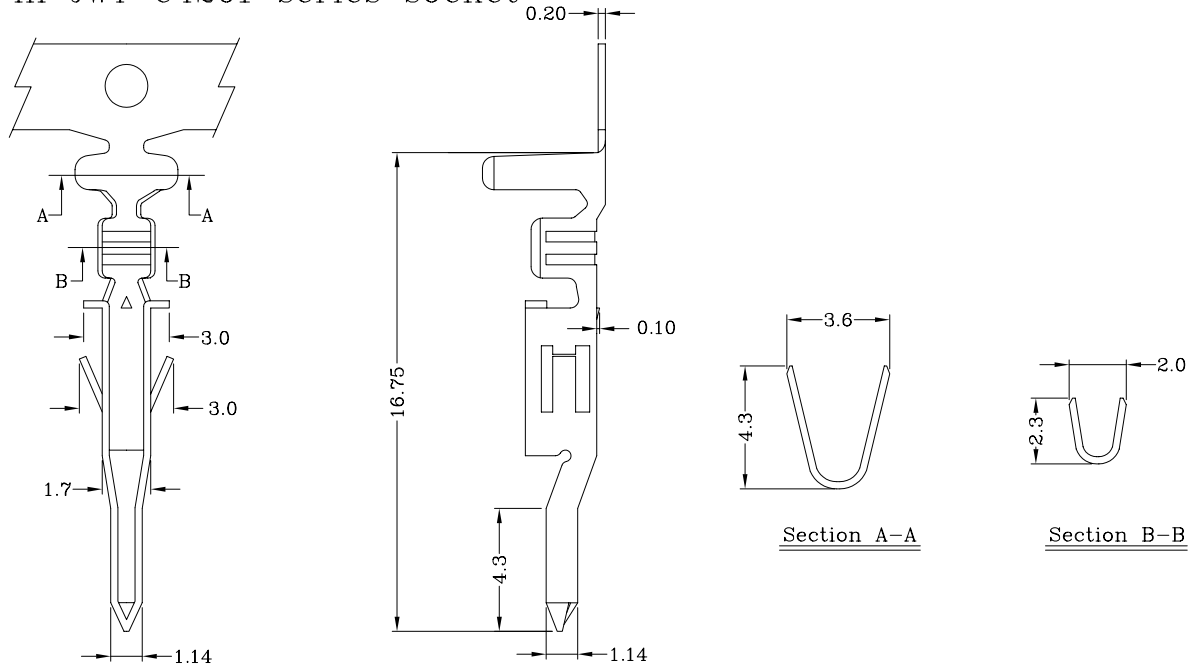
Circuits	Part No	Dimensions		PCS/BAG
		A	B	
2	C4201H0*-2x1PNL	-	5.40	1000
4	C4201H0*-2x2PNL	4.20	9.60	1000
6	C4201H0*-2x3PNL	8.40	13.80	1000
8	C4201H0*-2x4PNL	12.60	18.00	500
10	C4201H0*-2x5PNL	16.80	22.20	500
12	C4201H0*-2x6PNL	21.00	26.40	500
14	C4201H0*-2x7PNL	25.20	30.60	500
16	C4201H0*-2x8PNL	29.40	34.80	400
18	C4201H0*-2x9PNL	33.60	39.00	300
20	C4201H0*-2x10PNL	37.80	43.20	300
22	C4201H0*-2x11PNL	42.00	47.40	250
24	C4201H0*-2x12PNL	46.20	51.60	250

C4201 Series 4.20mm pitch crimp terminal



Features:

- * U shaped contact
- * Used in JWT C4201 series socket



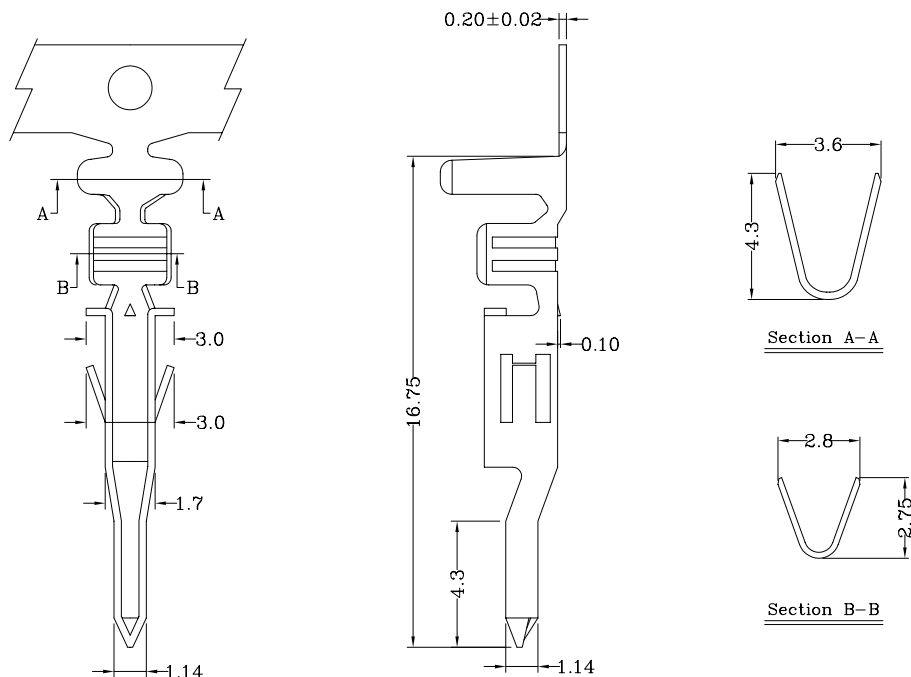
Specifications & Ordering Information:

Part No	Wire Range	Insulation O.D.	Material	Finish	Qty/reel
C4201TOB-2	AWG #18~#22	2.80mm(max)	Brass	Tin-plated	4,000 PCS
C4201TOP-2	AWG #18~#22	2.80mm(max)	Phosphor Bronze	Tin-plated	4,000 PCS

C4201 Series 4.20mm pitch high crimp terminal

Features:

- * U shaped contact
- * Used in JWT C4201 series socket



Specifications & Ordering Information:

Part No	Wire Range	Insulation O.D.	Material	Finish	Qty/reel
C4201T2B-2	AWG #16~#18	2.80mm(max)	Brass	Tin-plated	4,000 PCS