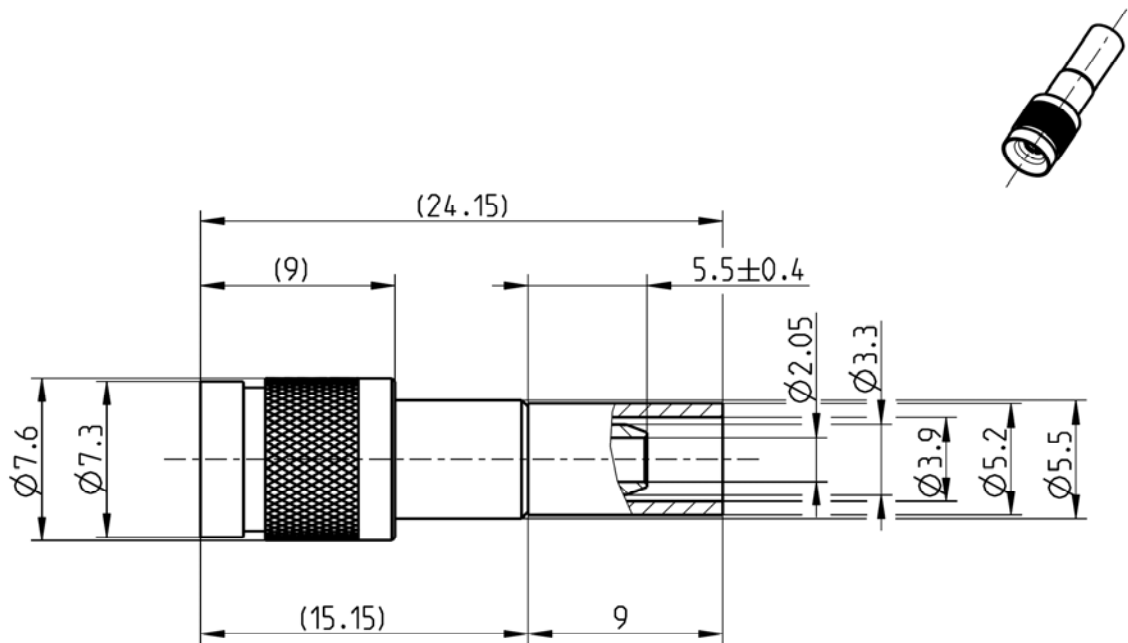


1.0/2.3 STRAIGHT PLUG
(75Ω) QUICK-LOCK

734S161-1V2L5



All dimensions are in mm; tolerances according to ISO 2768 m-H

Interface

According to CECC 22 230, DIN 47297

Documents

Assembly instruction 34 A4

Material and plating

Connector parts

Connector parts	Material	Plating
Center contact	Beryllium copper	AuroDur, gold plated
Outer contact	Beryllium copper	AuroDur, gold plated
Body	Brass	Nickel, 2.5-5 µm
Dielectric	PTFE	
Crimping ferrule	Copper	Nickel, 2.5-5 µm

1.0/2.3 STRAIGHT PLUG
(75Ω) QUICK-LOCK

734S161-1V2L5

Electrical data

Impedance	75 Ω
Frequency	DC to 2 GHz
Return loss	≥ 28 dB, DC to 2 GHz
Insertion loss	≤ 0.05 x √f(GHz) dB
Insulation resistance	≥ 2x10 ³ MΩ
Center contact resistance	≤ 4 mΩ
Outer contact resistance	≤ 2.5 mΩ
Test voltage	750 V rms
Working voltage	250 V rms
RF-leakage	≥ 90 dB up to 1 GHz

- Limitations are possible due to the used cable type -

Mechanical data

Mating cycles	≥ 500
Engaging and disengaging force	0.9 N to 10 N
Coupling mechanism retention force	≥ 200 N (screw version, quick-lock)

Environmental data

Temperature range	-40°C to +85°C	
Climatic class	IEC 60068-2-1 40/85/21	
	IEC 60068-2-2	
	IEC 60068-2-3	
Vibration	IEC 60068-2-6	10 Hz to 2000 Hz, 100m/s ²
2002/95/EC (RoHS)	compliant	

Tooling

Crimping tool	11W150-000
Crimp insert	11W150-450

Suitable cables

02YS(St)CY 0.45/2.0, 02YS(St)CH 0.45/2.0

Packing

Standard	1 pce in bag
Weight	4.0 g/pce

While the information has been carefully compiled to the best of our knowledge, nothing is intended as representation or warranty on our part and no statement herein shall be construed as recommendation to infringe existing patents. In the effort to improve our products, we reserve the right to make changes judged to be necessary.

Draft	Date	Approved	Date	Rev.	Engineering change number	Name	Date
Gramsamer Josef	16/05/07	S. Mühlbacher	19/03/09	a00	09-s140	Wallner Markus	19/03/09
Rosenberger Hochfrequenztechnik GmbH & Co. KG P.O.Box 1260 D-84526 Tittmoning Germany www.rosenberger.de					Tel.: +49 8684 18-0 Fax: +49 8684 18-499 email: info@rosenberger.de		Page 2 / 2