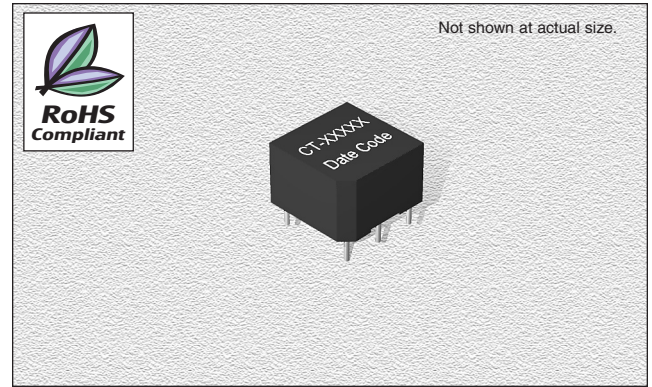


ISDN S-Interface

6 Pin, 7 Pin, 8 Pin DIP



APPLICATIONS

- Through-hole single
- Meets the pulse waveform template of CCITT 1.430 when recommended transformer and chip pair is used
- Excellent longitudinal balance
- 2 K Vrms or higher voltage isolation
- **RoHS Compliant.**

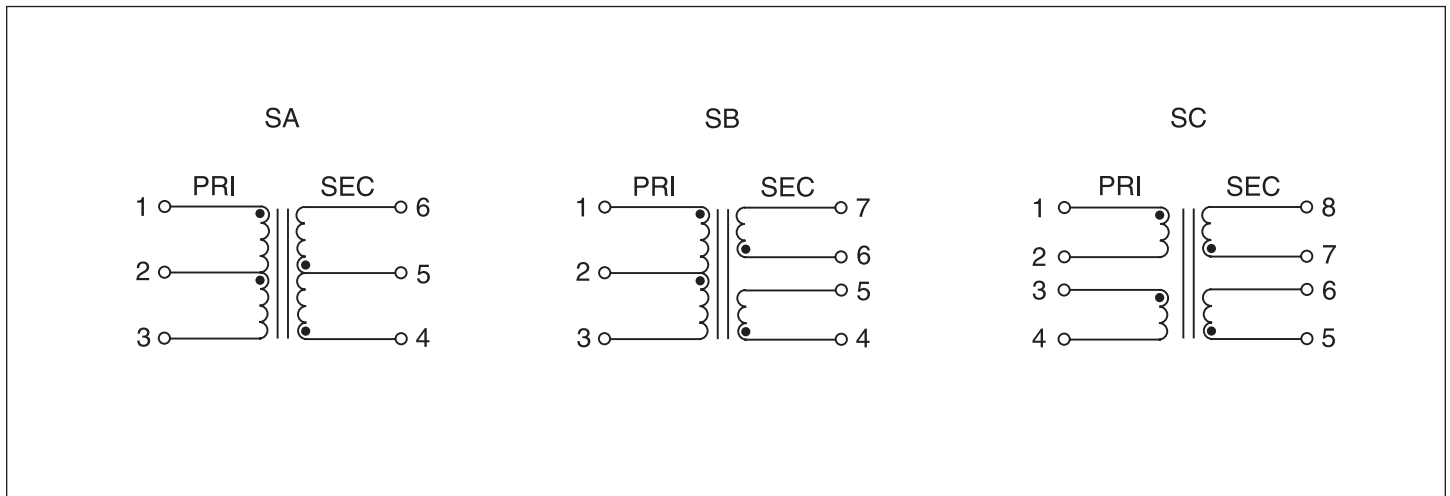
Electrical Specifications @ 25°C

ORDERING INFO

Single Transformers

Part Number	Ratio (± 2%)	OCL Pri (mH min.)	Cw/w (pF Max.)	LL sec (μH Max.)	CD Pri (pF Max.)	DCR pri (Ω ± 25%)	DCR sec (Ω ± 25%)	Δ Idc (mA Max.)	Package/Schematic
CT-64993F	1CT:1CT	22	100	5	42	2.4	2.4	1	SA
CT-64994F	1CT:1.8CS	22	100	15	140	2.5	4.2	1	SB
CT-64995F	1CT:2CT	22	100	15	80	2.3	4.0	1	SA
CT-64996F	1CT:2.5CS	22	100	30	150	2.5	5.8	1	SB
CT-64998F	1CS:2.5CS	22	100	8-40	110	2.5	5.8	1	SC
CT-64999F	1CT:2CT	22	100	11	180	2.4	4.4	1	SA

SCHEMATICS

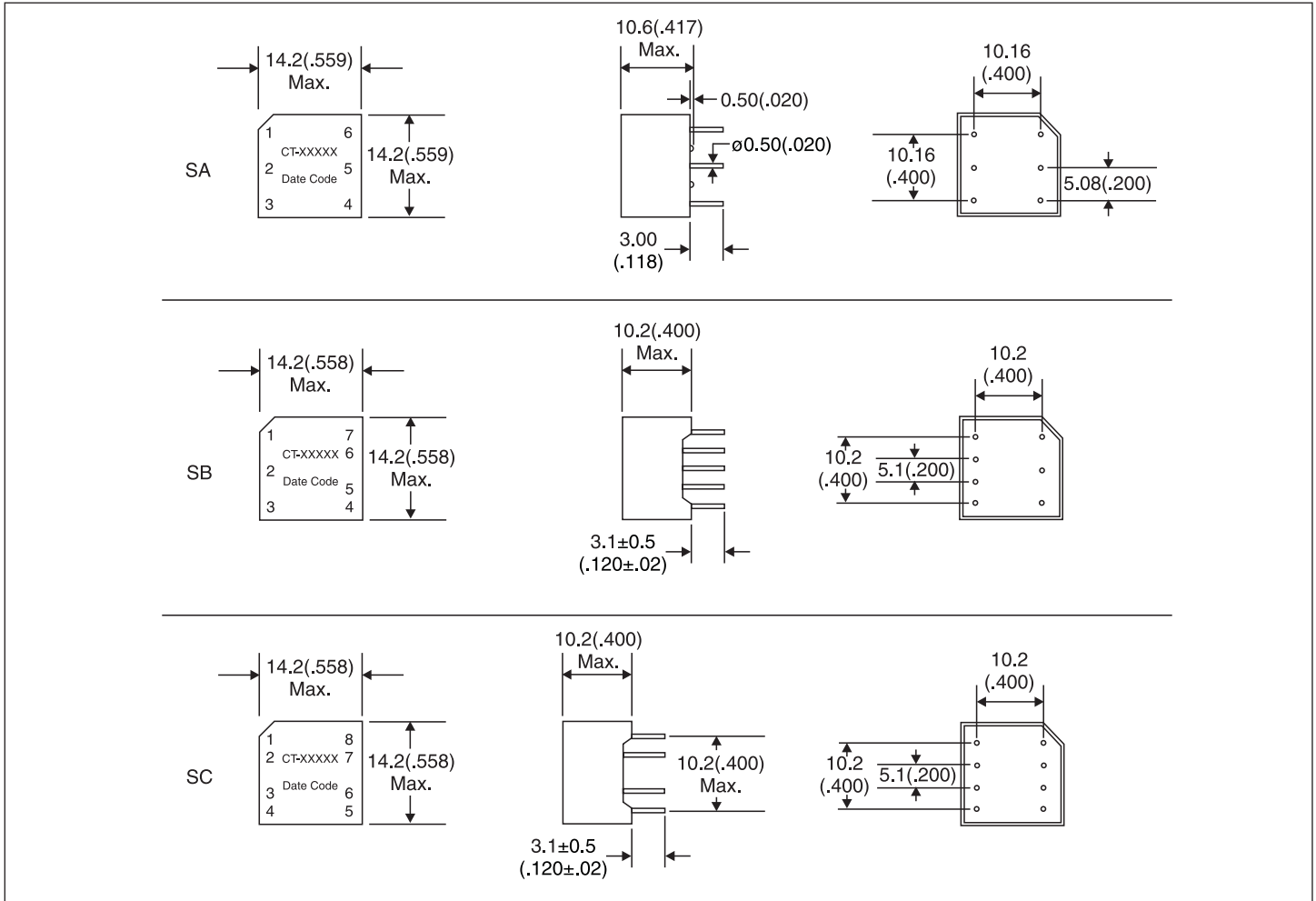


06.11.07

ISDN S-Interface

6 Pin, 7 Pin, 8 Pin DIP

PHYSICAL DIMENSIONS (PACKAGE)



06.11.07